

CYLINDRIX MULTIPLE RECESSED 3 LIGHT

CYLR-3
3LT CDM-Tm

APPLICATION:

Accent and display lighting for Retail, Commercial and Hospitality environments

CONSTRUCTION:

Stamped steel mounting frame with integral mounting bars
Thermally protected
Steel ballast housing
Electronic ballast
Steel upper housing and laser cut trim ring
Die-cast lamp housing
Formed aluminum yoke
PGJ5 pulse rated socket
Powder coat paint

OPTICS:

0-30° x 45° tilt, 360°+ rotation
Available in a variety of beam spreads featuring Amerlux optics specifically designed for the CDM-Tm Mini MasterColor® lamp
Available in custom tints to tune beam to provide incandescent-like hue

MOUNTING:

For use in T-grid or sheet rock ceilings

LABELING:

cUL listed
Damp location

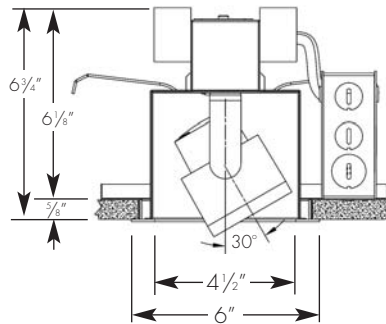
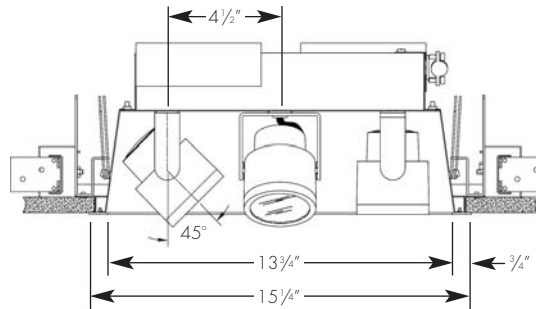
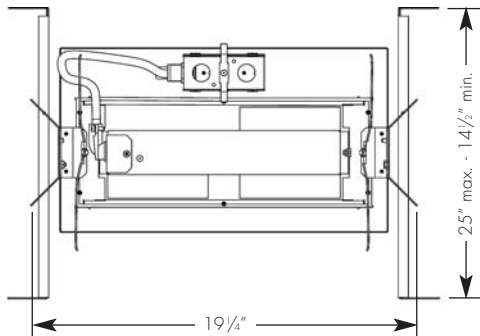


PROJECT:

TYPE:

ecotECTURAL

Architectural lighting for sustainable design.



Ceiling Cut Out Dimension: 5 5/8" x 14 13/16"

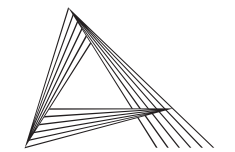
ELECTRICAL

Ballast	Lamping				
	3-20w		3-39w		
	Input watts	Amps*	Input watts	Amps*	
Electronic	120v	78	.69	135	1.20
	277v	78	.36	135	0.60

*Data is for open circuit current

3 CDM-Tm PGJ5 base metal halide, 20w and 39w

Amerlux reserves the right to change details that do not affect overall function and performance.



AMERLUX
LIGHTING SOLUTIONS

ADAPT. ABILITY.™

ORDERING INFORMATION:

Model	# Lamps	Wattage	Lamp Type	Ballast	Housing/Head Finish	Voltage	Beam Spreads*			Trim Ring Finish	Options/Accessories
							Lamp 1	Lamp 2	Lamp 3		
CYLR	3	20 39	MM - CDM-Tm Mini MasterColor®	E - electronic	WT - white texture BT - black texture ST - silver texture _____ (other RAL)	120 277	CL NF FL FL-UBP WF SL	CL NF FL FL-UBP WF SL	CL NF FL FL-UBP WF SL	WT - white texture	GOLD - ferric gold optic reflector DB2690 - DB2690 optic reflector HEX - hexcell louver SN - snoot (1/2" length standard), specify color (WT, BT, ST) CB - cross blade, specify color (BT), black texture standard
							*CL - spot, 12° NF - narrow flood, 18° FL - flood, 25° FL-UBP - flood ultra brite polished, 25° WF - wide flood, 40° SL - linear spread lens, 5" x 5"			Note: Cross Blade requires snoot be specified	

Example: CYLR-3-20-MM-E-WT-120-NF-FL-NF-WT

Cat #:

CYLINDRIX MULTIPLE RECESSED 3 LIGHT

CYLR-3
3LT CDM-Tm



TYPE :

ecOTECTORAL
Architectural lighting for sustainable design.



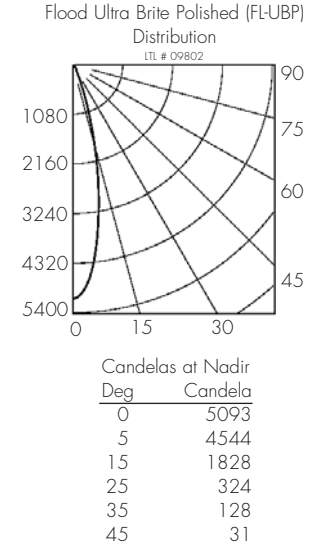
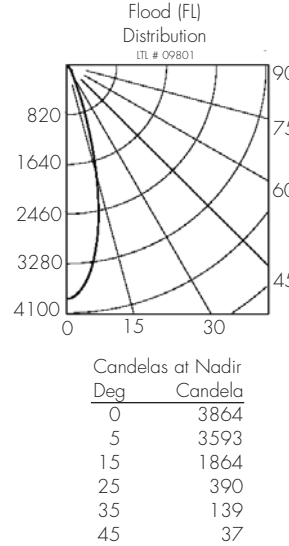
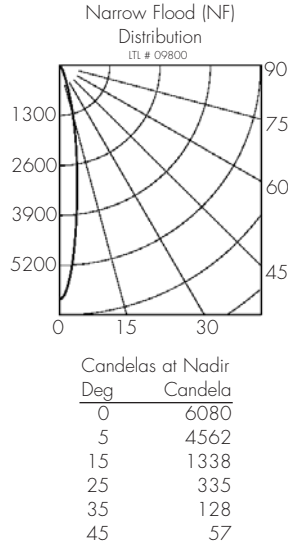
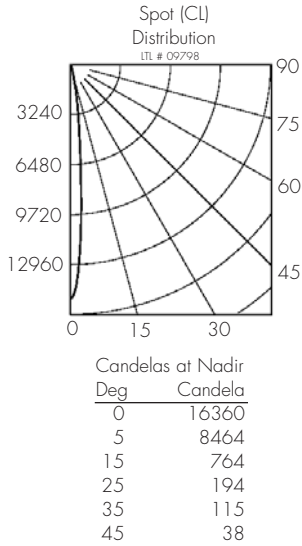
FIXTURE DATA:

Test run with standard clear reflector. For gold, multiply by 0.9
For 39w data, multiply by 1.8

Complete photometric data (.ies format) available upon request.

Note: Data is for 1 lamp

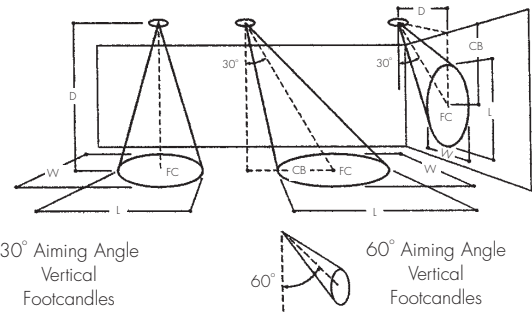
20W CDM-Tm MH



APPLICATION DATA:

Notes and Definitions:

Beam spread is to 50% center beam candlepower (CBCP).
D=Distance to floor or wall.
FC=Footcandles on floor or wall at center beam aiming location.
L=Effective Visual Beam length in feet (50% of maximum footcandle level).
W=Effective Visual Beam width in feet (50% of maximum footcandle level).
CB=Distance across or down to center beam location.



0° Aiming Angle
Horizontal
Footcandles



30° Aiming Angle
Horizontal
Footcandles



30° Aiming Angle
Vertical
Footcandles



60° Aiming Angle
Vertical
Footcandles

	0° Aiming Angle Horizontal Footcandles				30° Aiming Angle Horizontal Footcandles					30° Aiming Angle Vertical Footcandles					60° Aiming Angle Vertical Footcandles				
	D	FC	L	W	D	FC	L	W	CB	D	FC	L	W	CB	D	FC	L	W	CB
SPOT	5.0'	654	1.1	1.1	5.0'	401	1.3	1.2	3.0	3.0'	240	2.1	1.0	4.8	3.0'	1163	0.7	0.6	1.7
	7.5'	291	1.4	1.4	7.5'	181	2.0	1.5	4.0	4.0'	133	2.8	1.5	6.2	4.0'	665	1.0	0.8	2.2
	10.0'	164	1.8	1.8	10.0'	100	2.6	2.1	6.0	5.0'	87	3.4	1.8	8.3	5.0'	422	1.3	1.0	2.7
	12.5'	105	2.4	2.4	12.5'	68	3.1	2.8	7.0	6.0'	61	4.1	2.1	9.8	6.0'	288	1.5	1.3	3.3
NARROW FLOOD	5.0'	243	1.5	1.5	5.0'	148	2.2	1.7	3.0	3.0'	96	3.2	1.8	4.7	3.0'	432	1.2	1.1	1.7
	7.5'	108	2.3	2.3	7.5'	70	3.1	2.7	4.0	4.0'	54	4.3	2.3	6.3	4.0'	247	1.6	1.4	2.3
	10.0'	61	3.1	3.1	10.0'	37	4.3	3.6	5.0	5.0'	35	5.3	2.9	7.7	5.0'	158	2.0	1.8	2.8
	12.5'	39	3.7	3.7	12.5'	25	5.0	4.4	7.0	6.0'	24	6.4	3.5	9.2	6.0'	109	2.4	2.1	3.3
FLOOD	5.0'	155	2.5	2.5	5.0'	102	3.1	2.8	2.0	3.0'	84	3.3	2.4	3.7	3.0'	289	1.9	1.7	1.3
	7.5'	69	3.7	3.7	7.5'	47	4.6	4.2	4.0	4.0'	48	4.3	3.1	4.8	4.0'	165	2.4	2.2	1.8
	10.0'	39	5.0	5.0	10.0'	27	6.0	5.5	5.0	5.0'	30	5.5	3.9	5.7	5.0'	106	3.0	2.8	2.3
	12.5'	25	6.2	6.2	12.5'	17	7.5	6.5	6.0	6.0'	21	6.8	4.9	7.2	6.0'	74	3.6	3.3	2.8
FLOOD UBP	5.0'	202	2.1	2.1	5.0'	127	2.8	2.5	3.0	3.0'	98	3.3	2.2	3.8	3.0'	364	1.7	1.5	1.8
	7.5'	90	3.2	3.2	7.5'	61	3.9	3.6	4.0	4.0'	55	4.4	2.8	5.3	4.0'	209	2.1	1.9	2.2
	10.0'	51	4.2	4.2	10.0'	34	5.3	4.7	5.0	5.0'	35	5.5	3.4	6.7	5.0'	135	2.7	2.4	2.7
	12.5'	33	5.2	5.2	12.5'	22	6.6	5.9	6.0	6.0'	25	6.6	4.2	7.7	6.0'	94	3.2	2.9	3.2