

# CYLINDRIX MULTIPLE RECESSED 3 LIGHT

**CYLR-3**  
3LT T4GU6.5

**APPLICATION:**

Accent and display lighting for retail, commercial and hospitality environments

**CONSTRUCTION:**

Stamped steel mounting frame with integral mounting bars  
Thermally protected  
Steel ballast housing  
Electronic ballast  
Steel upper housing and laser cut trim ring  
Die-cast lamp housing  
Formed aluminum yoke  
GU6.5 TAL pulse rated socket  
Powder coat paint

**OPTICS:**

0-30° x 45° tilt, 360°+ rotation  
Available in a variety of beam spreads featuring Amerlux optics specifically designed for the CMH T4GU6.5 lamp  
Available in custom tints to tune beam to provide incandescent-like hue

**MOUNTING:**

For use in T-grid or sheet rock ceilings

**LABELING:**

cUL listed  
Damp location

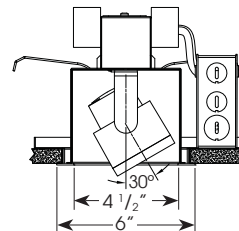
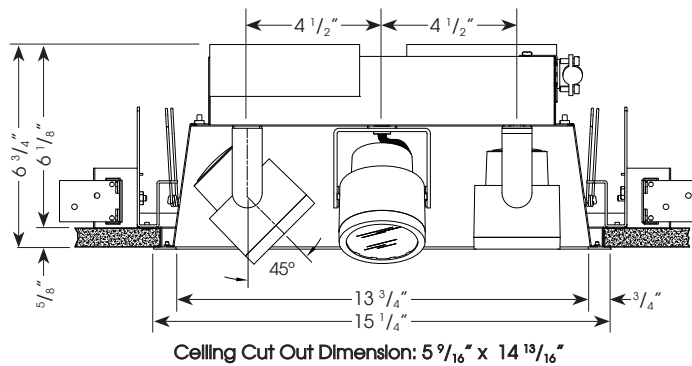
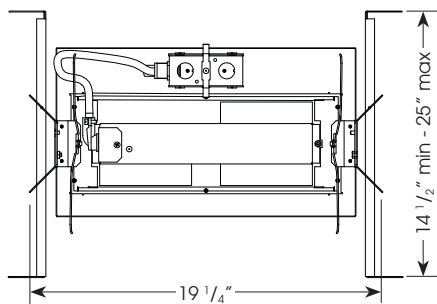
**LAMPING:**

CMH T4GU6.5 base, 15w (SYLVANIA METALARC® POWERBALL®), 20w and 39w



PROJECT:

TYPE:



**ELECTRICAL**

Ballast		3-15w		Lamping 3-20w		3-39w	
		Input Watts	Amps*	Input Watts	Amps*	Input Watts	Amps*
Electronic	120v	54	.45	72	.60	135	1.20
	277v	54	.21	72	.27	132	.48

\*data is for open circuit current  
CMH T4GU6.5 base metal halide, 15w, 20w and 39

**ORDERING INFORMATION:**

Amerlux reserves the right to change details that do not affect overall function and performance.

Model	# Lamps	Wattage	Lamp Type	Ballast	Housing/Head Finish	Voltage	Beam Spreads			Trim Ring Finish	Options/ Accessories
							Lamp 1	Lamp 2	Lamp 3		
CYLR	3	15	T4GU6.5	E - electronic	WT - white texture	120	CL	CL	CL	WT - white texture	GOLD - ferric gold optic reflector
		20									
		39			BT - black texture	277	FL	FL	FL		DB2690 - DB2690 optic reflector
					ST - silver texture		FL-UBP	FL-UBP	FL-UBP		HEX - hexcell louver
					— (other RAL)		WF	WF	WF		SN - snoot (1/2" length standard), specify color (WT, BT, ST)
							SL	SL	SL		CB - cross blade, specify color (BT), black texture standard
							CL - spot, 12°				
							NF - narrow flood, 18°				
							FL - flood, 25°				
							FL-UBP - flood ultra brite polished, 25°				
							WF - wide flood, 40°				
							SL - linear spread lens, 5° x 55°				

Note: Cross Blade requires snoot be specified.

Example: CYLR-3-20-T4GU6.5-E-WT-120-NF-NF-NF-WT

Cat #:

# CYLINDRIX MULTIPLE RECESSED 3 LIGHT

**CYLR-3**  
3LT T4GU6.5



**amerlux**  
GLOBAL LIGHTING SOLUTIONS

TYPE:

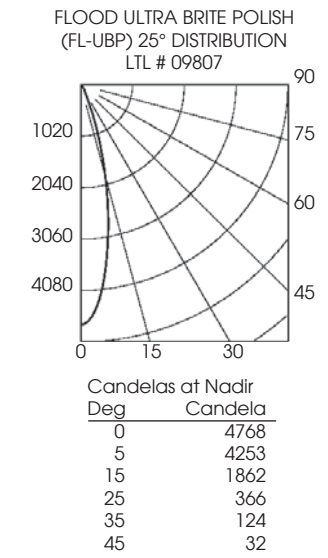
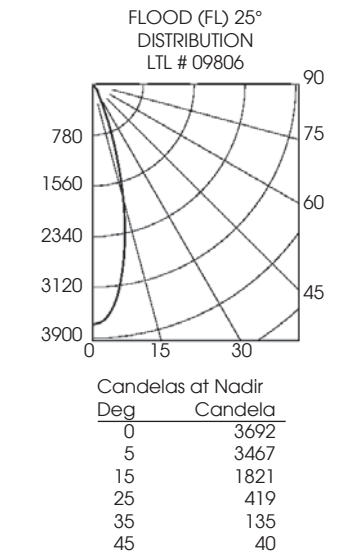
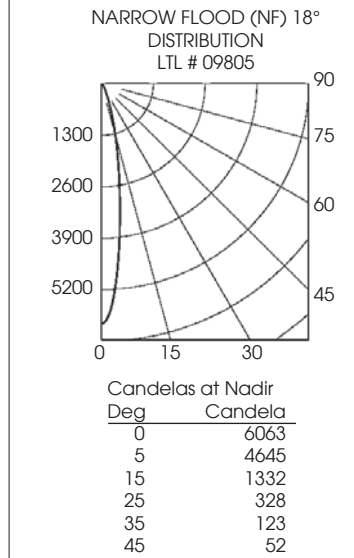
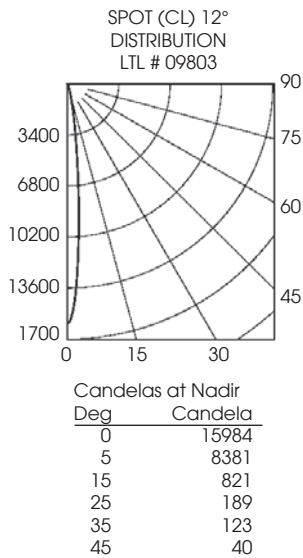


**FIXTURE DATA:** Test run with standard clear reflector. For gold multiply by 0.9  
For 15w data multiply by .75; For 39w data multiply by 2.1

Complete photometric data (ies format) available upon request.

Note: Data is for 1 lamp

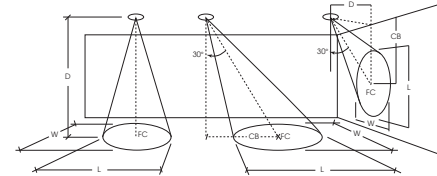
## 20W T4GU6.5 MH



## APPLICATION DATA:

### Notes and Definitions:

Beam spread is to 50% center beam candlepower (CBCP).  
 D=Distance to floor or wall.  
 FC=Footcandles on floor or wall at center beam aiming location.  
 L=Effective Visual Beam length in feet (50% of maximum footcandle level).  
 W=Effective Visual Beam width in feet (50% of maximum footcandle level).  
 CB=Distance across or down to center beam location.



	0° Aiming Angle Horizontal Footcandles				30° Aiming Angle Horizontal Footcandles					30° Aiming Angle Vertical Footcandles					60° Aiming Angle Vertical Footcandles				
	D	FC	L	W	D	FC	L	W	CB	D	FC	L	W	CB	D	FC	L	W	CB
SPOT	5.0'	609	1.1	1.1	5.0'	373	1.2	1.1	3.0	3.0'	223	2.1	1.1	4.8	3.0'	1082	0.7	0.6	1.8
	7.5'	271	1.4	1.4	7.5'	168	2.0	1.6	4.0	4.0'	124	2.8	1.5	6.7	4.0'	619	0.9	0.8	2.2
	10.0'	152	1.8	1.8	10.0'	93	2.6	2.3	6.0	5.0'	81	3.5	1.8	8.2	5.0'	392	1.3	1.1	2.7
	12.5'	97	2.4	2.4	12.5'	63	3.2	2.8	7.0	6.0'	56	4.2	2.2	9.8	6.0'	267	1.5	1.4	3.3
NARROW FLOOD	5.0'	243	1.5	1.5	5.0'	148	2.2	1.8	3.0	3.0'	97	3.2	1.8	4.2	3.0'	431	1.2	1.1	1.7
	7.5'	108	2.3	2.3	7.5'	70	3.1	2.7	4.0	4.0'	55	4.3	2.3	5.7	4.0'	247	1.6	1.5	2.2
	10.0'	61	3.1	3.1	10.0'	38	4.3	3.6	5.0	5.0'	35	5.3	2.8	7.2	5.0'	158	2.0	1.8	2.7
	12.5'	39	3.8	3.8	12.5'	25	5.1	4.4	7.0	6.0'	25	6.4	3.5	8.7	6.0'	110	2.4	2.1	3.2
FLOOD	5.0'	148	2.6	2.6	5.0'	98	3.1	2.8	2.0	3.0'	80	3.4	2.4	3.7	3.0'	277	1.9	1.7	1.3
	7.5'	66	3.7	3.7	7.5'	45	4.7	4.3	4.0	4.0'	46	4.4	3.1	4.8	4.0'	159	2.4	2.2	1.8
	10.0'	37	5.0	5.0	10.0'	26	6.0	5.5	5.0	5.0'	29	5.6	4.0	5.6	5.0'	102	3.0	2.8	2.3
	12.5'	24	6.2	6.2	12.5'	17	7.6	6.7	6.0	6.0'	20	6.7	4.7	7.2	6.0'	71	3.6	3.3	2.7
FLOOD UBP	5.0'	191	2.2	2.2	5.0'	119	2.9	2.6	3.0	3.0'	93	3.4	2.2	3.7	3.0'	340	1.7	1.5	1.8
	7.5'	85	3.3	3.3	7.5'	57	4.1	3.7	4.0	4.0'	52	4.5	2.9	5.3	4.0'	196	2.2	2.0	2.2
	10.0'	48	4.3	4.3	10.0'	32	5.4	4.9	5.0	5.0'	33	5.6	3.6	6.2	5.0'	127	2.8	2.5	2.8
	12.5'	31	5.4	5.4	12.5'	20	6.8	6.1	6.0	6.0'	23	6.7	4.4	7.8	6.0'	88	3.3	3.0	3.3