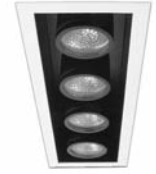


# CYLINDRIX MULTIPLE RECESSED 4 LIGHT

CYLR-4  
4LT CDM-Tm



## APPLICATION:

Accent and display lighting for Retail, Commercial and Hospitality environments

## CONSTRUCTION:

Stamped steel mounting frame with integral mounting bars  
Thermally protected  
Steel ballast housing  
Electronic ballast  
Steel upper housing and laser cut trim ring  
Die-cast lamp housing  
Formed aluminum yoke  
PGJ5 pulse rated socket  
Powder coat paint

## OPTICS:

0-30° x 45° tilt, 360°+ rotation  
Available in a variety of beam spreads featuring Amerlux optics specifically designed for the CDM-Tm Mini MasterColor® lamp  
Available in custom tints to tune beam to provide incandescent-like hue

## MOUNTING:

For use in T-grid or sheet rock ceilings

## LABELING:

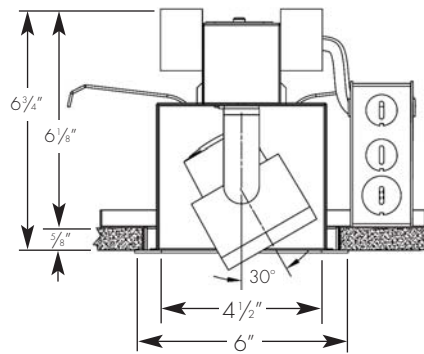
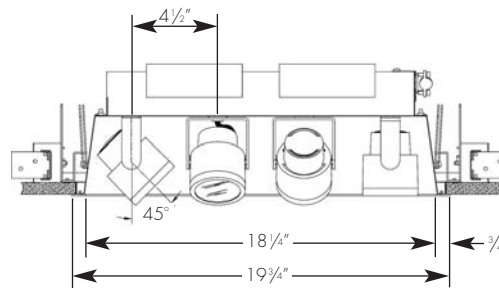
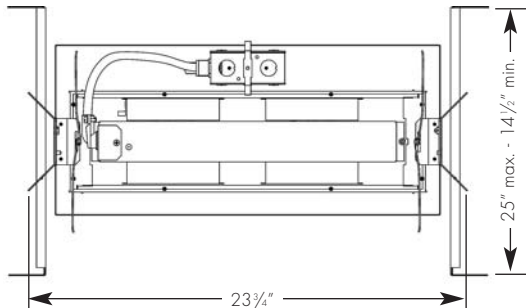
cUL listed  
Damp location

PROJECT :

TYPE :

**ecotECTURAL**

Architectural lighting for sustainable design.



Ceiling Cut Out Dimension: 5 5/8" x 19 1/8"

## ELECTRICAL

| Ballast    | Lamping     |       |             |       |      |
|------------|-------------|-------|-------------|-------|------|
|            | 4-20w       |       | 4-39w       |       |      |
|            | Input watts | Amps* | Input watts | Amps* |      |
| Electronic | 120v        | 104   | .92         | 180   | 1.60 |
|            | 277v        | 104   | .48         | 180   | 0.80 |

\*Data is for open circuit current

4 CDM-Tm PGJ5 base metal halide, 20w and 39w

Amerlux reserves the right to change details that do not affect overall function and performance.



ADAPT. ABILITY.™

## ORDERING INFORMATION:

| Model | # Lamps | Wattage  | Lamp Type                           | Ballast        | Housing/Head Finish  | Voltage    | Beam Spreads*                       |                                     |                                     |                                     | Trim Ring Finish      | Options/Accessories   |
|-------|---------|----------|-------------------------------------|----------------|--|------------|-------------------------------------|-------------------------------------|-------------------------------------|-------------------------------------|-----------------------|---|
|       |         |          |                                     |                |  |            | Lamp 1                              | Lamp 2                              | Lamp 3                              | Lamp 4                              |                       |   |
| CYLR  | 4       | 20<br>39 | MM - CDM-Tm<br>Mini<br>MasterColor® | E - electronic | WT - white<br>texture<br>BT - black<br>texture<br>ST - silver<br>texture<br>-<br>(other RAL) | 120<br>277 | CL<br>NF<br>FL<br>FLUBP<br>WF<br>SL | CL<br>NF<br>FL<br>FLUBP<br>WF<br>SL | CL<br>NF<br>FL<br>FLUBP<br>WF<br>SL | CL<br>NF<br>FL<br>FLUBP<br>WF<br>SL | WT - white<br>texture | GOLD - ferric gold<br>optic reflector<br>DB2690 - DB2690<br>optic reflector<br>HEX - hexcell louver<br>SN - snoot (1/2" length<br>standard), specify<br>color (WT, BT, ST)<br>CB - cross blade,<br>specify color (BT),<br>black texture<br>standard<br>Note: Cross Blade requires<br>snoot be specified |

\*CL - spot, 12°  
NF - narrow flood, 18°  
FL - flood, 25°  
FLUBP - flood ultra brite polished, 25°  
WF - wide flood, 40°  
SL - linear spread lens, 5° x 55°

Example: CYLR-4-20-MM-E-WT-120-NF-NF-FL-FL-WT

Cat #:

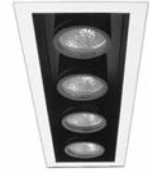
# CYLINDRIX MULTIPLE RECESSED 4 LIGHT

CYLR-4  
4LT CDM-Tm



TYPE :

**ECOTECHURAL**  
Architectural lighting for sustainable design.



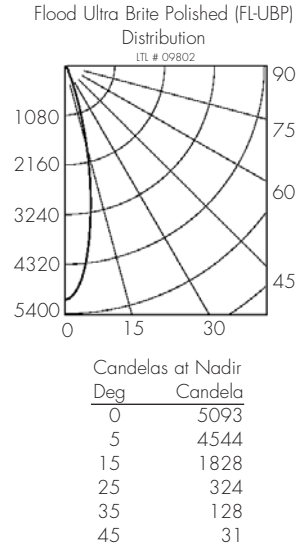
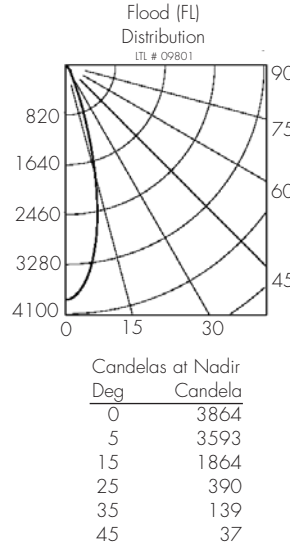
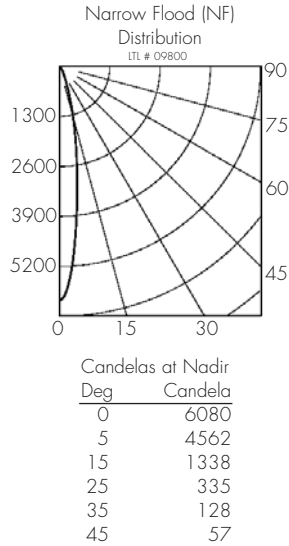
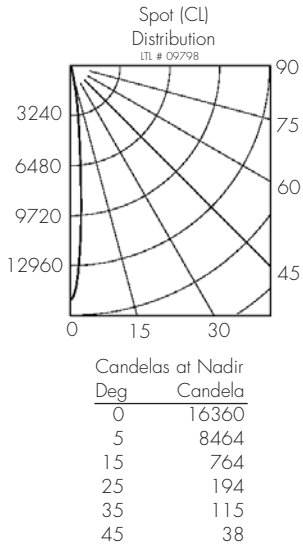
**FIXTURE DATA:**

Test run with standard clear reflector. For gold, multiply by 0.9  
For 39w data, multiply by 1.8

Complete photometric data (.ies format) available upon request.

Note: Data is for 1 lamp

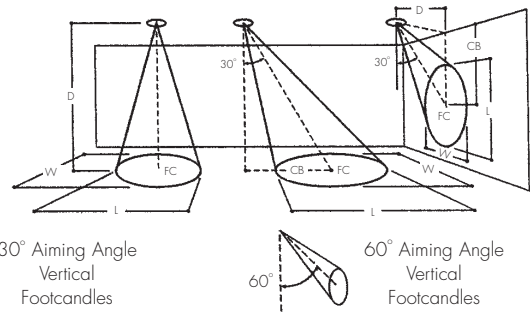
**20W CDM-Tm MH**



**APPLICATION DATA:**

**Notes and Definitions:**

Beam spread is to 50% center beam candlepower (CBCP).  
D=Distance to floor or wall.  
FC=Footcandles on floor or wall at center beam aiming location.  
L=Effective Visual Beam length in feet (50% of maximum footcandle level).  
W=Effective Visual Beam width in feet (50% of maximum footcandle level).  
CB=Distance across or down to center beam location.



0° Aiming Angle  
Horizontal  
Footcandles



30° Aiming Angle  
Horizontal  
Footcandles



30° Aiming Angle  
Vertical  
Footcandles



60° Aiming Angle  
Vertical  
Footcandles

|              | 0° Aiming Angle Horizontal Footcandles |     |     |     | 30° Aiming Angle Horizontal Footcandles |     |     |     |     | 30° Aiming Angle Vertical Footcandles |     |     |     |     | 60° Aiming Angle Vertical Footcandles |      |     |     |     |
|--------------|--|-----|-----|-----|---|-----|-----|-----|-----|---------------------------------------|-----|-----|-----|-----|---------------------------------------|------|-----|-----|-----|
|              | D                                      | FC  | L   | W   | D                                       | FC  | L   | W   | CB  | D                                     | FC  | L   | W   | CB  | D                                     | FC   | L   | W   | CB  |
| SPOT         | 5.0'                                   | 654 | 1.1 | 1.1 | 5.0'                                    | 401 | 1.3 | 1.2 | 3.0 | 3.0'                                  | 240 | 2.1 | 1.0 | 4.8 | 3.0'                                  | 1163 | 0.7 | 0.6 | 1.7 |
|              | 7.5'                                   | 291 | 1.4 | 1.4 | 7.5'                                    | 181 | 2.0 | 1.5 | 4.0 | 4.0'                                  | 133 | 2.8 | 1.5 | 6.2 | 4.0'                                  | 665  | 1.0 | 0.8 | 2.2 |
|              | 10.0'                                  | 164 | 1.8 | 1.8 | 10.0'                                   | 100 | 2.6 | 2.1 | 6.0 | 5.0'                                  | 87  | 3.4 | 1.8 | 8.3 | 5.0'                                  | 422  | 1.3 | 1.0 | 2.7 |
|              | 12.5'                                  | 105 | 2.4 | 2.4 | 12.5'                                   | 68  | 3.1 | 2.8 | 7.0 | 6.0'                                  | 61  | 4.1 | 2.1 | 9.8 | 6.0'                                  | 288  | 1.5 | 1.3 | 3.3 |
| NARROW FLOOD | 5.0'                                   | 243 | 1.5 | 1.5 | 5.0'                                    | 148 | 2.2 | 1.7 | 3.0 | 3.0'                                  | 96  | 3.2 | 1.8 | 4.7 | 3.0'                                  | 432  | 1.2 | 1.1 | 1.7 |
|              | 7.5'                                   | 108 | 2.3 | 2.3 | 7.5'                                    | 70  | 3.1 | 2.7 | 4.0 | 4.0'                                  | 54  | 4.3 | 2.3 | 6.3 | 4.0'                                  | 247  | 1.6 | 1.4 | 2.3 |
|              | 10.0'                                  | 61  | 3.1 | 3.1 | 10.0'                                   | 37  | 4.3 | 3.6 | 5.0 | 5.0'                                  | 35  | 5.3 | 2.9 | 7.7 | 5.0'                                  | 158  | 2.0 | 1.8 | 2.8 |
|              | 12.5'                                  | 39  | 3.7 | 3.7 | 12.5'                                   | 25  | 5.0 | 4.4 | 7.0 | 6.0'                                  | 24  | 6.4 | 3.5 | 9.2 | 6.0'                                  | 109  | 2.4 | 2.1 | 3.3 |
| FLOOD        | 5.0'                                   | 155 | 2.5 | 2.5 | 5.0'                                    | 102 | 3.1 | 2.8 | 2.0 | 3.0'                                  | 84  | 3.3 | 2.4 | 3.7 | 3.0'                                  | 289  | 1.9 | 1.7 | 1.3 |
|              | 7.5'                                   | 69  | 3.7 | 3.7 | 7.5'                                    | 47  | 4.6 | 4.2 | 4.0 | 4.0'                                  | 48  | 4.3 | 3.1 | 4.8 | 4.0'                                  | 165  | 2.4 | 2.2 | 1.8 |
|              | 10.0'                                  | 39  | 5.0 | 5.0 | 10.0'                                   | 27  | 6.0 | 5.5 | 5.0 | 5.0'                                  | 30  | 5.5 | 3.9 | 5.7 | 5.0'                                  | 106  | 3.0 | 2.8 | 2.3 |
|              | 12.5'                                  | 25  | 6.2 | 6.2 | 12.5'                                   | 17  | 7.5 | 6.5 | 6.0 | 6.0'                                  | 21  | 6.8 | 4.9 | 7.2 | 6.0'                                  | 74   | 3.6 | 3.3 | 2.8 |
| FLOOD UB     | 5.0'                                   | 202 | 2.1 | 2.1 | 5.0'                                    | 127 | 2.8 | 2.5 | 3.0 | 3.0'                                  | 98  | 3.3 | 2.2 | 3.8 | 3.0'                                  | 364  | 1.7 | 1.5 | 1.8 |
|              | 7.5'                                   | 90  | 3.2 | 3.2 | 7.5'                                    | 61  | 3.9 | 3.6 | 4.0 | 4.0'                                  | 55  | 4.4 | 2.8 | 5.3 | 4.0'                                  | 209  | 2.1 | 1.9 | 2.2 |
|              | 10.0'                                  | 51  | 4.2 | 4.2 | 10.0'                                   | 34  | 5.3 | 4.7 | 5.0 | 5.0'                                  | 35  | 5.5 | 3.4 | 6.7 | 5.0'                                  | 135  | 2.7 | 2.4 | 2.7 |
|              | 12.5'                                  | 33  | 5.2 | 5.2 | 12.5'                                   | 22  | 6.6 | 5.9 | 6.0 | 6.0'                                  | 25  | 6.6 | 4.2 | 7.7 | 6.0'                                  | 94   | 3.2 | 2.9 | 3.2 |