

CYLINDRIX MULTIPLE SEMI-RECESSED 3 LIGHT

CYLSR-3
3LT CMHMR16

APPLICATION:

Accent and display lighting for Retail, Commercial and Hospitality environments

CONSTRUCTION:

Stamped steel mounting frame with integral mounting bars
Thermally protected
Steel ballast housing
Electronic ballast
Steel upper housing and laser cut trim ring
Die-cast lamp housing
Formed aluminum yoke
GX10 TAL pulse rated socket
Powder coat paint

OPTICS:

0-50° x 60° tilt, 360°+ rotation
CMHMR16, GX10 base, 20w

MOUNTING:

For use in T-grid or sheet rock ceilings

LABELING:

cUL listed
Damp location

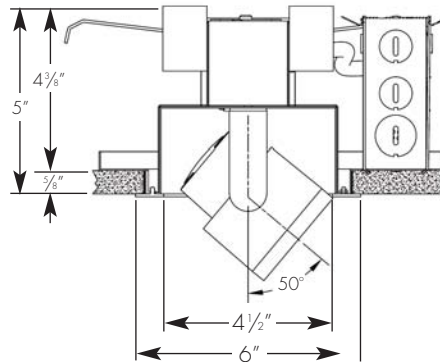
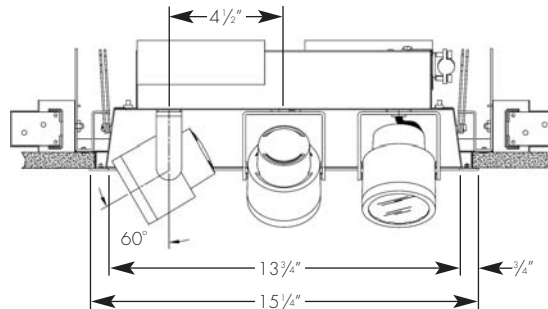
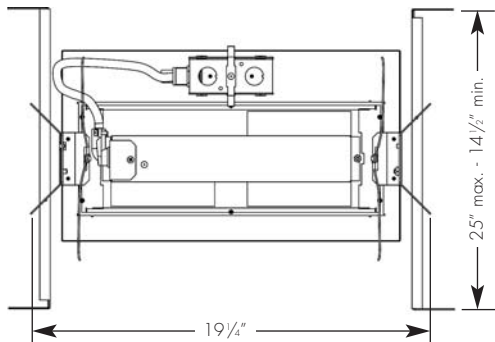


PROJECT:

TYPE:

ecotECTURAL

Architectural lighting for sustainable design.



Ceiling Cut Out Dimension: 5 5/16" x 14 13/16"

ELECTRICAL

| Ballast | Voltage | Lamping | | | |
|------------|---------|-------------|-------|-------------|-------|
| | | 3-20w | | 3-39w | |
| | | Input watts | Amps* | Input watts | Amps* |
| Electronic | 120v | 72 | 0.6 | 135 | 1.2 |
| | 277v | 66 | .24 | 132 | .48 |

*Data is for open circuit current
3 CMHMR16, GX10 base, 20w and 39w

Amerlux reserves the right to change details that do not affect overall function and performance.

ORDERING INFORMATION:

| Model | # Lamps | Wattage | Lamp Type | Ballast | Housing/Head Finish | Voltage | Trim Ring Finish | Options/Accessories |
|-------|---------|----------|-----------|----------------|--|------------|--------------------|--|
| CYLSR | 3 | 20 39 | CMHMR16 | E - electronic | WT - white texture BT - black texture ST - silver texture - (other RAL) | 120 277 | WT - white texture | HEX - hexcell louver SN - snoot (1/2" length standard), specify color (WT, BT, ST) CB - cross blade, specify color (BT), black texture standard Note: Cross Blade requires snoot be specified |

Example: CYLSR-3-20-CMHMR16-E-WT-120-WT

Cat #:



CYLINDRIX MULTIPLE SEMI-RECESSED 3 LIGHT

CYLSR-3
3LT CMHMR16



TYPE :

ecOTECTORAL
Architectural lighting for sustainable design.



FIXTURE DATA:

GE CMH PRECISE MR16



CMH20MR16/830/SP 12°
12,000 Rated Life - 9,000 CBCP

CMH20MR16/830/FL 25°
12,000 Rated Life - 2,900 CBCP

CMH39MR16/930/SP 12°
10,000 Rated Life - 16,000 CBCP

CMH39MR16/930/FL 25°
10,000 Rated Life - 5,500 CBCP



| D | FC | L | W |
|-------|-----|-----|-----|
| 4.0' | 604 | 1.1 | 1.1 |
| 8.0' | 151 | 1.6 | 1.6 |
| 12.0' | 67 | 2.6 | 2.6 |
| 16.0' | 38 | 3.4 | 3.4 |

| D | FC | L | W |
|------|-----|-----|-----|
| 3.0' | 144 | 2.3 | 1.3 |
| 4.0' | 80 | 3.1 | 1.6 |
| 6.0' | 36 | 4.6 | 2.4 |
| 8.0' | 20 | 6.0 | 3.3 |

| D | FC | L | W |
|-------|-----|-----|-----|
| 4.0' | 187 | 1.7 | 1.7 |
| 8.0' | 47 | 3.6 | 3.6 |
| 12.0' | 21 | 5.4 | 5.4 |
| 16.0' | 12 | 7.1 | 7.1 |

| D | FC | L | W |
|------|----|-----|-----|
| 3.0' | 61 | 3.4 | 2.3 |
| 4.0' | 34 | 4.5 | 3.0 |
| 6.0' | 15 | 6.7 | 4.5 |
| 8.0' | 9 | 9.0 | 5.9 |

| D | FC | L | W |
|-------|------|-----|-----|
| 4.0' | 1000 | 1.1 | 1.1 |
| 8.0' | 250 | 1.7 | 1.7 |
| 12.0' | 111 | 2.7 | 2.7 |
| 16.0' | 63 | 3.5 | 3.5 |

| D | FC | L | W |
|------|-----|-----|-----|
| 3.0' | 238 | 2.5 | 1.3 |
| 4.0' | 133 | 3.4 | 1.8 |
| 6.0' | 60 | 5.1 | 2.6 |
| 8.0' | 33 | 6.9 | 3.6 |

| D | FC | L | W |
|-------|-----|-----|-----|
| 4.0' | 344 | 1.8 | 1.8 |
| 8.0' | 86 | 3.8 | 3.8 |
| 12.0' | 38 | 5.7 | 5.7 |
| 16.0' | 22 | 7.6 | 7.6 |

| D | FC | L | W |
|------|-----|-----|-----|
| 3.0' | 122 | 3.3 | 2.3 |
| 4.0' | 69 | 4.3 | 3.0 |
| 6.0' | 31 | 6.5 | 4.4 |
| 8.0' | 17 | 8.7 | 6.0 |

FC - approximate footcandles at center.