

# EVOKE 2.9" ROUND ADJUSTABLE

**E2.9RA**  
CDM-Tm

**APPLICATION:**

Commercial and retail accent and display lighting

**HOUSING CONSTRUCTION:**

20 ga. steel painted matte black  
Formed aperture plate with 5/8" lip (GB-standard)  
Integral adjustable locking mounting bars  
Thermally protected  
PGJ5 pulse rated socket

**REFLECTOR CONSTRUCTION:**

Spun aluminum self flanged reflector with key slot cut  
Variety of anodized aperture finishes in both white and clear flange  
Steel mounting ring with torsion spring

**LAMPING:**

Philips CDM-Tm Mini MasterColor PGJ5 base, 20w and 39w

**OPTICS:**

Cam adjustment mechanism provides lockable 0-40° tilt; 360°+ rotation  
Die-cast lamp housing with twist in/out lens holder  
Spun faceted and beveled optics, specially designed for CDM-Tm lamps  
Available in custom tints to tune beam to provide incandescent-like hue

**MOUNTING:**

Specify ceiling mounting:  
GRID: 1" deep aperture collar  
G B (Gyp. Board): 5/8" deep aperture collar  
Extra thick ceiling ring available for ceilings over 1" thick, consult factory  
Note: Tilt adjustment reduced to 30° in ceilings 1 1/4" thick

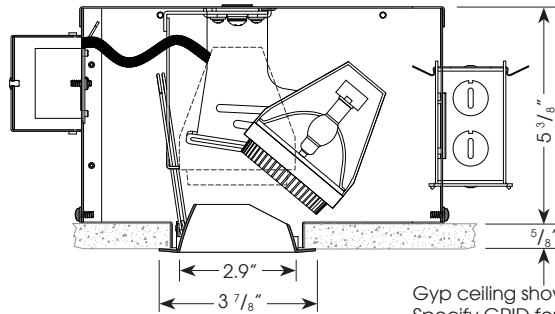
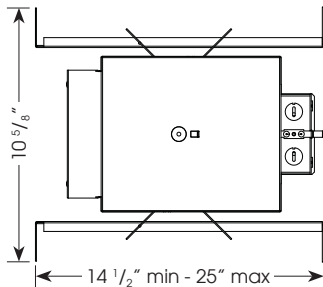
**LABELING:**

 **UL** US  
Damp location



PROJECT:

TYPE:



Gyp ceiling shown. Specify GRID for 1" deep aperture collar.

Ceiling Cut Out Dimension: 3 7/16" dia.

**ELECTRICAL**

Ballast	Voltage	Lamping			
		20w		39w	
		Input Watts	Input Amps*	Input Watts	Input Amps*
Electronic	120v	26	.23	45	.40
	277v	26	.12	45	.20

\*data is for open circuit current  
CMH CDM-Tm base metal halide, 20w and 39w

Electronic ballast

**ORDERING INFORMATION:**

Housing							Reflector		Accessories
Model	Wattage	Lamp Type	Voltage	Beam Spread	Ceiling Mounting	Optic Options	Model	Aperture Finish	Ordered Separately
E2.9RA	20 39	MM - Mini MasterColor® CDM-Tm	120 277	CL - spot, 12° NF - narrow flood, 18° FL - flood, 25° WF - wide flood, 40° SL - linear spread, 5° x 55°	GB - 5/8" deep collar GRID - 1" deep collar - (other, consult factory)	GOLD - ferric gold optic reflector DB2690 - DB2690 optic reflector	E2.9RA	Reflector with White Painted Flange SDW - semi-diffuse CLW - specular GDW - specular gold BKW - specular black MWW - matte white  Reflector with Clear Flange (flange finish matches cone finish) SDC - semi-diffuse CLC - specular GDC - specular gold BKC - specular black	HEX20 - hexcell louver SOL20 - beam softening lens (standard w/NF option) SPR20 - linear spread lens, 5° x 55° (standard w/SL beam spread)  Accepts up to 2 accessories

Complete Unit Specification: E2.9RA-20-MM-120-NF-GB/E2.9RA-SDW  
Housing Only: E2.9RA-20-MM-120-NF-GB  
Reflector Only: E2.9RA-SDW

Cat #:

Amerlux reserves the right to change details that do not affect overall function and performance.

# EVOKE 2.9" ROUND ADJUSTABLE

E2.9RA  
CDM-Tm

**amerlux**  
GLOBAL LIGHTING SOLUTIONS

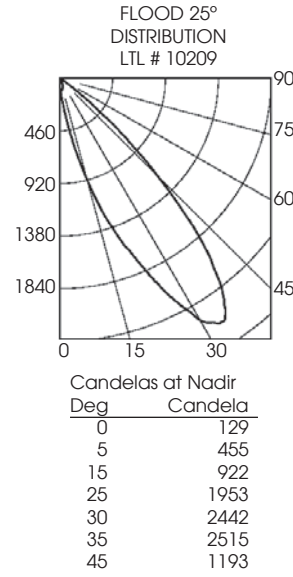
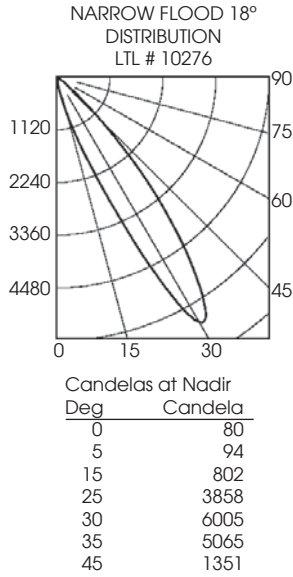
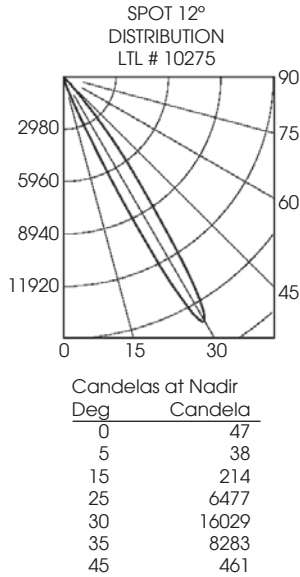
TYPE:



**FIXTURE DATA:** Test run with standard clear reflector. For gold multiply by 0.9  
For 39w data multiply by 1.8

Complete photometric data (ies format) available upon request.

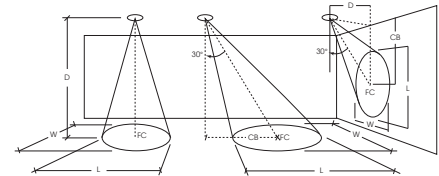
## 20W CDM-Tm



## APPLICATION DATA:

### Notes and Definitions:

Beam spread is to 50% center beam candlepower (CBCP).  
D=Distance to floor or wall.  
FC=Footcandles on floor or wall at center beam aiming location.  
L=Effective Visual Beam length in feet (50% of maximum footcandle level).  
W=Effective Visual Beam width in feet (50% of maximum footcandle level).  
CB=Distance across or down to center beam location.



	30° Aiming Angle Horizontal Footcandles					30° Aiming Angle Vertical Footcandles				
	D	FC	L	W	CB	D	FC	L	W	CB
SPOT	5.0'	388	1.2	1.2	3.0	3.0'	233	2.1	1.2	5.0
	7.5'	174	1.9	1.7	4.0	4.0'	122	2.9	1.6	7.0
	10.0'	97	2.4	2.4	6.0	5.0'	83	3.5	1.9	8.0
	12.5'	67	2.8	2.9	7.0	6.0'	58	4.2	2.4	10.0
NARROW FLOOD	5.0'	150	2.0	1.5	3.0	3.0'	105	2.9	1.4	4.0
	7.5'	67	3.0	2.1	4.0	4.0'	58	3.8	1.8	6.0
	10.0'	38	3.9	2.9	6.0	5.0'	38	4.7	2.3	7.0
	12.5'	25	4.8	3.6	7.0	6.0'	26	5.7	2.8	8.0
FLOOD	5.0'	63	3.1	2.4	3.0	3.0'	57	3.0	1.9	4.0
	7.5'	28	4.7	3.7	4.0	4.0'	33	3.8	2.4	5.0
	10.0'	16	6.2	4.9	6.0	5.0'	22	4.6	2.9	6.0
	12.5'	10	7.6	6.0	7.0	6.0'	15	5.5	3.6	7.0