

EVOKE 2.9" ROUND ADJUSTABLE

E2.9RA
MR16

APPLICATION:

Commercial and retail accent and display lighting

HOUSING CONSTRUCTION:

20 ga. steel painted matte black
Formed aperture plate with 5/8" lip (GB-standard)
Integral adjustable locking mounting bars
Thermally protected
Bi-pin base

REFLECTOR CONSTRUCTION:

Spun aluminum self flanged reflector with key slot cut
Variety of anodized aperture finishes in both white and clear flange
Steel mounting ring with torsion spring

LAMPING:

MR16 halogen, 50w max., 12v

OPTICS:

Cam adjustment mechanism provides lockable 0-40° tilt;
360°+ rotation
Spun aluminum lamp ring, snaps in/out for re-lamping, accepts up to 2 accessories
Solite beam softening lens (standard)

MOUNTING:

Specify ceiling mounting:
GRID: 1" deep aperture collar
GB (Gyp. Board): 5/8" deep aperture collar
Extra thick ceiling ring available for ceilings over 1" thick, consult factory
Note: Tilt adjustment reduced to 30° in ceilings 1 1/4" thick

LABELING:

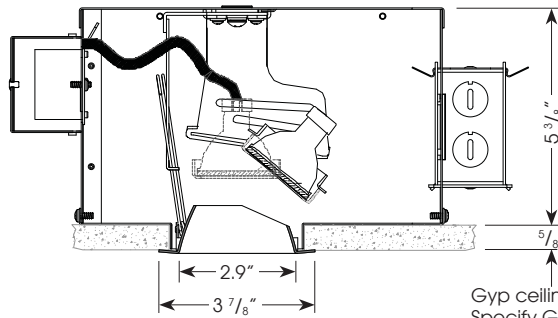
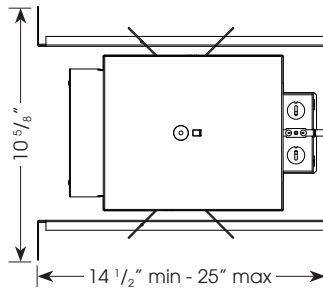


Damp location



PROJECT:

TYPE:



Ceiling Cut Out Dimension: 3 7/16" dia.

Gyp ceiling shown.
Specify GRID for 1" deep aperture collar.

ELECTRICAL

Ballast	Lamping	
	Input Watts	Amps
Electronic 120v	50	.42
277v	50	.18

MR16 Bi-pin base, 20w max.

Electronic ballast

ORDERING INFORMATION:

Housing				Reflector		Accessories
Model	Lamp Type	Voltage	Ceiling Mounting	Model	Aperture Finish	Ordered Separately
E2.9RA	MR16 (50W max)	120 277	GB - 5/8" deep collar GRID - 1" deep collar _____ (other, consult factory)	E2.9RA	Reflector with White Painted Flange SDW - semi-diffuse CLW - specular GDW - specular gold BKW - specular black MWW - matte white Reflector with Clear Flange (flange finish matches cone finish) SDC - semi-diffuse CLC - specular GDC - specular gold BKC - specular black	HEX16 - hexcell louver SPR16 - linear spread lens, 5° x 55° Accepts up to 2 accessories

Complete Unit Specification: E2.9RA-MR16-120-GB/E2.9RA-SDW
Housing Only: E2.9RA-MR16-120-GB
Reflector Only: E2.9RA-SDW

Cat #:

Amerlux reserves the right to change details that do not affect overall function and performance.

EVOKE 2.9" ROUND ADJUSTABLE

E2.9RA
MR16

amerlux
GLOBAL LIGHTING SOLUTIONS

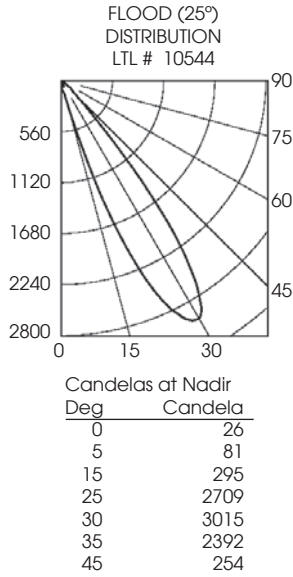
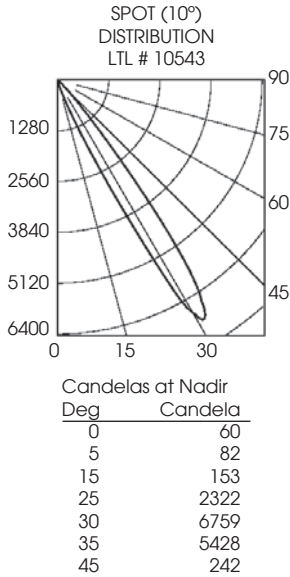
TYPE:



FIXTURE DATA:

Complete photometric data (ies format) available upon request.

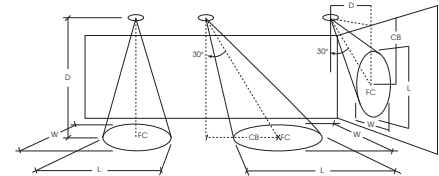
50W MR16



APPLICATION DATA:

Notes and Definitions:

Beam spread is to 50% center beam candlepower (CBCP).
 D=Distance to floor or wall.
 FC=Footcandles on floor or wall at center beam aiming location.
 L=Effective Visual Beam length in feet (50% of maximum footcandle level).
 W=Effective Visual Beam width in feet (50% of maximum footcandle level).
 CB=Distance across or down to center beam location.



	30° Aiming Angle Horizontal Footcandles					30° Aiming Angle Vertical Footcandles				
	D	FC	L	W	CB	D	FC	L	W	CB
SPOT	5.0'	178	1.2	1.3	3.0	3.0'	107	2.2	1.3	5.0
	7.5'	64	2.3	2.0	5.0	4.0'	67	2.5	1.6	6.0
	10.0'	44	2.6	2.5	6.0	5.0'	42	3.3	2.1	8.0
	12.5'	27	3.2	3.1	7.0	6.0'	30	3.8	2.4	9.0
NARROW FLOOD	5.0'	75	2.2	1.5	3.0	3.0'	47	3.0	1.5	4.0
	7.5'	36	3.0	2.2	4.0	4.0'	28	3.8	1.8	6.0
	10.0'	21	4.0	2.8	5.0	5.0'	18	4.8	2.4	7.0
	12.5'	13	5.1	3.6	6.0	6.0'	13	5.6	2.8	9.0