

# EVOKE 2.9 ROUND DOWNLIGHT

**E2.9RD  
PAR20MH**

**APPLICATION:**  
Commercial and retail ambient and task lighting

**OPTICS:**  
Formed steel lamp holder

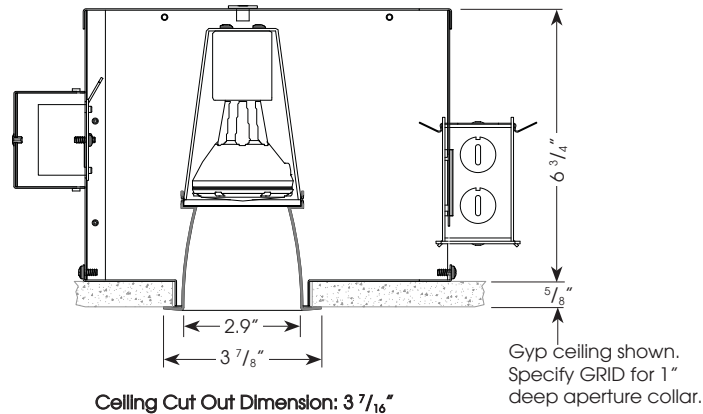
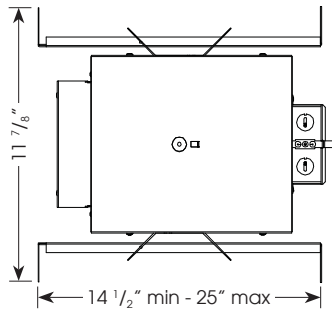
**HOUSING CONSTRUCTION:**  
20 ga. steel painted matte black  
Formed aperture plate with 5/8" lip (GB-standard)  
Integral adjustable locking mounting bars  
Thermally protected  
Medium base pulse rated socket  
Formed steel lamp holder snaps in/out of reflector trim

**MOUNTING:**  
Specify ceiling mounting:  
GRID: 1" deep aperture collar  
GB (Gyp. Board): 5/8" deep aperture collar  
Extra thick ceiling ring available for ceilings over 1" thick, consult factory  
Note: Tilt adjustment reduced to 30° in ceilings 1 1/4" thick

**REFLECTOR CONSTRUCTION:**  
Spun aluminum self flanged reflector  
Variety of anodized aperture finishes in both white and clear flange

**LABELING:**  
cUL listed  
Damp location

**LAMPING:**  
PAR20MH medium base, 20w and 39w



## ELECTRICAL

Ballast	Voltage	Lamping			
		20w		39w	
		Input Watts	Amps*	Input Watts	Amps*
Electronic	120v	24	.20	45	.40
	277v	22	.09	44	.16

\*data is for open circuit current  
PAR20MH medium base, 20w and 39w  
**Electronic ballast**

Amerlux reserves the right to change details that do not affect overall function and performance.

## ORDERING INFORMATION:

Housing					Reflector		Accessories
Model	Wattage	Lamp Type	Voltage	Ceiling Mounting	Model	Aperture Finish	Ordered Separately
E2.9RDX	20	PAR20MH	120	GB - 5/8" deep collar	E2.9RD	Reflector with White Painted Flange	Consult Factory
	39		277	GRID - 1" deep collar		SDW - semi-diffuse clear	
				(other, consult factory)		CLW - specular clear	
						GDW - specular gold	
						BKW - specular black	
						MWW - matte white	
						Reflector with Clear Flange	
						(flange finish matches cone finish)	
						SDC - semi-diffus clear	
						CLC - specular clear	
						GDC - specular gold	
						BKC - specular black	

Complete Unit Specification: E2.9RDX-20-PAR20MH-120-GB/E2.9RD-SDW  
Housing Only: E2.9RDX-20-PAR20MH-120-GB  
Reflector Only: E2.9RD-SDW

Cat #:

# EVOKE 2.9 ROUND DOWNLIGHT

E2.9RD  
PAR20MH



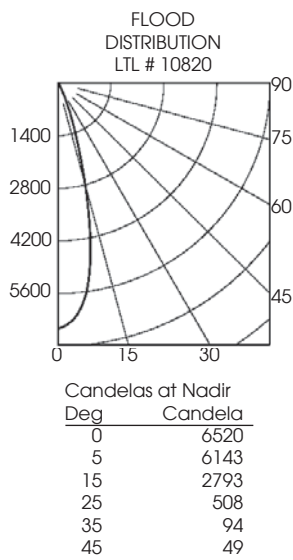
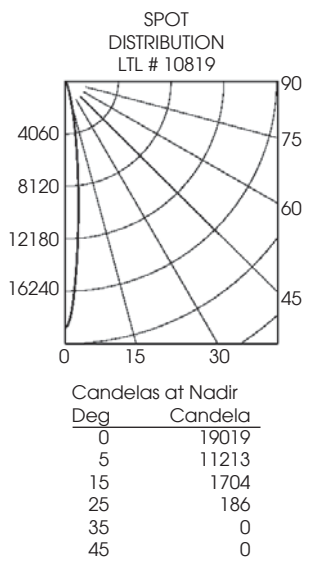
TYPE:



**FIXTURE DATA:**

Complete photometric data (ies format) available upon request.

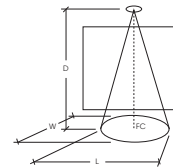
**39W PAR20MH**



**APPLICATION DATA:**

**Notes and Definitions:**

Beam spread is to 50% center beam candlepower (CBCP).  
 D=Distance to floor or wall.  
 FC=Footcandles on floor or wall at center beam aiming location.  
 L=Effective Visual Beam length in feet (50% of maximum footcandle level).  
 W=Effective Visual Beam width in feet (50% of maximum footcandle level).  
 CB=Distance across or down to center beam location.



	D	FC	L	W
SPOT	5.0'	761	1.2	1.2
	7.5'	338	1.6	1.6
	10.0'	190	2.1	2.0
	12.5'	122	2.7	2.7
FLOOD	5.0'	261	2.5	2.5
	7.5'	116	3.5	3.5
	10.0'	65	4.8	4.8
	12.5'	42	5.9	5.9