

EVOKE 2.9" ROUND DOWNLIGHT

E2.9RD
PAR20MH

APPLICATION:

Commercial and retail ambient and task lighting

HOUSING CONSTRUCTION:

20 ga. steel painted matte black
Formed aperture plate with 5/8" lip (GB-standard)
Integral adjustable locking mounting bars
Thermally protected
Medium base pulse rated socket
Formed steel lamp holder snaps in/out of reflector trim

REFLECTOR CONSTRUCTION:

Spun aluminum self flanged reflector
Variety of anodized aperture finishes in both white and clear flange

OPTICS:

Formed steel lamp holder

MOUNTING:

Specify ceiling mounting:
GRID: 1" deep aperture collar
GB (Gyp. Board): 5/8" deep aperture collar
Extra thick ceiling ring available for ceilings over 1" thick, consult factory
Note: Tilt adjustment reduced to 30° in ceilings 1 1/4" thick

LABELING:



Damp location

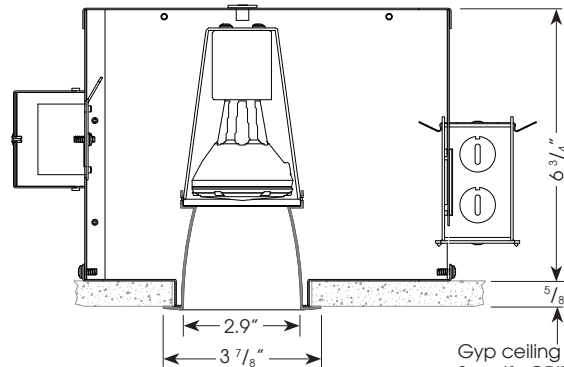
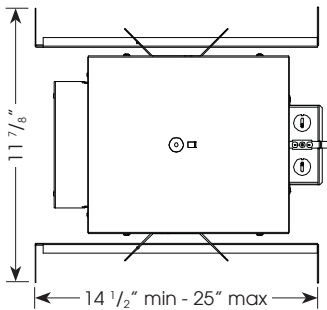
LAMPING:

PAR20MH medium base, 20w and 39w



PROJECT:

TYPE:



Ceiling Cut Out Dimension: 3 7/16"

Gyp ceiling shown. Specify GRID for 1" deep aperture collar.

ELECTRICAL

Ballast	Voltage	Lamping			
		20w		39w	
		Input Watts	Amps*	Input Watts	Amps*
Electronic	120v	24	.20	45	.40
	277v	22	.09	44	.16

*data is for open circuit current
PAR20MH medium base, 20w and 39w

Electronic ballast

ORDERING INFORMATION:

Housing Model	Wattage	Lamp Type	Voltage	Ceiling Mounting	Reflector Model	Aperture Finish	Accessories Ordered Separately
E2.9RDX	20	PAR20MH	120	GB - 5/8" deep collar	E2.9RD	Reflector with White Painted Flange	Consult Factory
	39		277	GRID - 1" deep collar		SDW - semi-diffuse	
				(other, consult factory)		CLW - specular	
						GDW - specular gold	
						BKW - specular black	
						MWW - matte white	
						Reflector with Clear Flange	
						(flange finish matches cone finish)	
						SDC - semi-diffuse	
						CLC - specular	
						GDC - specular gold	
						BKC - specular black	

Complete Unit Specification: E2.9RDX-20-PAR20MH-120-GB/E2.9RD-SDW

Housing Only: E2.9RDX-20-PAR20MH-120-GB

Reflector Only: E2.9RD-SDW

Cat #:

Amerlux reserves the right to change details that do not affect overall function and performance.

EVOKE 2.9" ROUND DOWNLIGHT

E2.9RD
PAR20MH

amerlux
GLOBAL LIGHTING SOLUTIONS

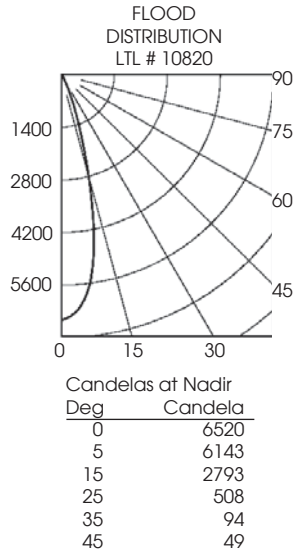
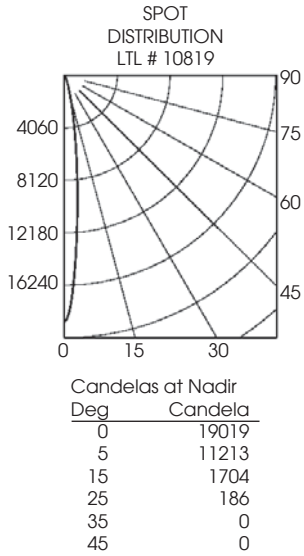
TYPE:



FIXTURE DATA:

Complete photometric data (ies format) available upon request.

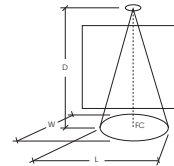
39W PAR20MH



APPLICATION DATA:

Notes and Definitions:

Beam spread is to 50% center beam candlepower (CBCP).
 D=Distance to floor or wall.
 FC=Footcandles on floor or wall at center beam aiming location.
 L=Effective Visual Beam length in feet (50% of maximum footcandle level).
 W=Effective Visual Beam width in feet (50% of maximum footcandle level).
 CB=Distance across or down to center beam location.



0° Aiming Angle
Horizontal
Footcandle

	SPOT			
	D	FC	L	W
	5.0'	761	1.2	1.2
	7.5'	338	1.6	1.6
	10.0'	190	2.1	2.0
	12.5'	122	2.7	2.7

	FLOOD			
	D	FC	L	W
	5.0'	261	2.5	2.5
	7.5'	116	3.5	3.5
	10.0'	65	4.8	4.8
	12.5'	42	5.9	5.9