

# EVOKE 2.9" ROUND LENS WALL WASH

**E2.9RLW**  
CDM-Tm

**APPLICATION:**

Commercial and retail wall wash lighting

**HOUSING CONSTRUCTION:**

20 ga. steel painted matte black  
Formed aperture plate with 5/8" lip (GB-standard)  
Integral adjustable locking mounting bars  
Thermally protected  
PGJ5 pulse rated socket

**REFLECTOR CONSTRUCTION:**

Spun aluminum self-flanged reflector with bias cut  
Available in a variety of finishes  
Integral formed textured kick reflector  
Linear spread lens etched on the interior side  
Steel mounting ring with torsion spring

**LAMPING:**

Philips CDM-Tm Mini MasterColor PGJ5 base,  
20w and 39w

**OPTICS:**

Die-cast lamp housing with twist in/out lens holder  
Spun faceted and peened optics, specially designed for CDM-Tm lamps  
Available in custom tints to tune beam to provide incandescent-like hue

**MOUNTING:**

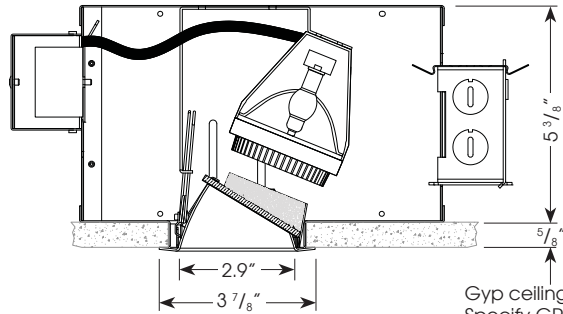
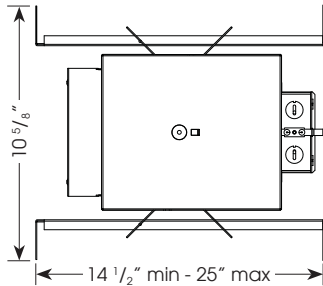
Specify ceiling mounting:  
GRID: 1" deep aperture collar  
GB (Gyp. Board): 5/8" deep aperture collar  
Extra thick ceiling ring available for ceilings over 1" thick, consult factory  
Note: Tilt adjustment reduced to 30° in ceilings 1 1/4" thick

**LABELING:**

 us  
Damp location



PROJECT:  
  
TYPE:



Ceiling Cut Out Dimension: 3 7/8" dia.

Gyp ceiling shown. Specify GRID for 1" deep aperture collar.

**ELECTRICAL**

Ballast	Voltage	Lamping			
		20w		39w	
		Input Watts	Input Amps*	Input Watts	Input Amps*
Electronic	120v	26	.23	45	.40
	277v	26	.12	45	.20

\*data is for open circuit current  
CMH CDM-Tm base metal halide, 20w and 39w

Electronic ballast

**ORDERING INFORMATION:**

Housing						Reflector	
Model	Wattage	Lamp Type	Voltage	Ceiling Mounting	Optic Options	Model	Aperture Finish
E2.9RLW	20 39	MM - Mini MasterColor® CDM-Tm	120 277	GB - 5/8" deep collar GRID - 1" deep collar - (other, consult factory)	GOLD - ferric gold optic reflector DB2690 - DB2690 optic reflector	E2.9RLW	Reflector with White Painted Flange SDW - semi-diffuse CLW - specular GDW - specular gold BKW - specular black MWW - matte white  Reflector with Clear Flange (flange finish matches cone finish) SDC - semi-diffuse CLC - specular GDC - specular gold BKC - specular black

Complete Unit Specification: E2.9RLW-20-MM-120-GB/E2.9RLW-SDW  
Housing Only: E2.9RLW-20-MM-120-GB  
Reflector Only: E2.9RLW -SDW

Cat #:

Amerlux reserves the right to change details that do not affect overall function and performance.

# EVOKE 2.9" ROUND LENS WALL WASH

**E2.9RLW**  
CDM-Tm

**amerlux**  
GLOBAL LIGHTING SOLUTIONS

TYPE:



**FIXTURE DATA:** Test run with standard clear reflector. For gold multiply by 0.9  
For 39w data multiply by 1.8

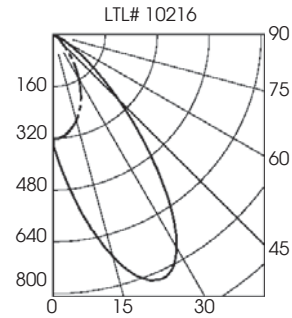
Complete photometric data (ies format) available upon request.

Evolve 2.9" Round Lens Wall Wash  
Lamp: Philips CDM-Tm/20w/830 Lamp Lumens: 1625  
Recessed

**ZONAL LUMEN SUMMARY**

Zone	Lumens	%Lamp	%Fixt
0-30	277	17.0	52.0
0-40	414	25.5	77.7
0-60	523	32.2	98.3
0-90	532	32.8	100.0
90-180	0	0.0	0.0
0-180	532	32.8	100.0

**Total Luminaire Efficiency = 32.8%**



**APPLICATION DATA:**

**Footcandles on Wall**

Footcandles are average and rounded off.  
Data for multiple units are based on a minimum of five units.

1.5 Feet From Wall

Distance from ceiling	1.5"			
	1'	2'	3'	4'
1'	22.8	18.5	18.5	22.7
2'	72.2	67.3	67.3	72.5
3'	57.3	56.7	57.1	58.6
4'	34.5	34.9	35.4	36.1
5'	20.6	21.2	21.7	22.0
6'	12.9	13.4	13.7	13.9
7'	8.5	8.8	9.0	9.2
8'	5.8	6.0	6.2	6.3

1.5 Feet From Wall

Distance from ceiling	2"				
	1'	2'	3'	4'	5'
1'	21.2	15.3	10.7	15.1	21.2
2'	60.4	51.8	44.9	51.7	60.4
3'	45.0	43.1	41.8	43.1	45.0
4'	27.7	27.1	26.8	27.1	27.7
5'	17.3	17.1	17.0	17.1	17.3
6'	11.3	11.3	11.2	11.3	11.3
7'	7.8	7.8	7.8	7.8	7.8
8'	5.5	5.5	5.5	5.5	5.5

2 Feet From Wall

Distance from ceiling	2"				
	1'	2'	3'	4'	5'
1'	6.3	5.3	4.7	5.3	6.3
2'	31.6	28.8	26.9	28.8	31.6
3'	41.3	39.3	38.8	39.3	41.3
4'	32.9	32.1	32.2	32.1	32.9
5'	23.0	22.7	22.8	22.7	23.0
6'	16.0	15.8	15.8	15.8	16.0
7'	11.2	11.2	11.2	11.2	11.2
8'	8.1	8.1	8.1	8.1	8.1