

EVOKE 2.9" ROUND LENS WALL WASH

**E2.9RLW
PAR20MH**

APPLICATION:

Commercial and retail wall wash lighting

HOUSING CONSTRUCTION:

20 ga. steel painted matte black
Formed aperture plate with 5/8" lip (GB-standard)
Integral adjustable locking mounting bars
Thermally protected
Medium base pulse rated socket

REFLECTOR CONSTRUCTION:

Spun aluminum self-flanged reflector with bias cut
Available in a variety of finishes
Integral formed textured kick reflector
Linear spread lens etched on the interior side
Steel mounting ring with torsion spring

OPTICS:

Formed steel lamp holder

MOUNTING:

Specify ceiling mounting:
GRID: 1" deep aperture collar
GB (Gyp. Board): 5/8" deep aperture collar
Extra thick ceiling ring available for ceilings over 1" thick, consult factory
Note: Tilt adjustment reduced to 30° in ceilings 1 1/4" thick

LABELING:



Damp location

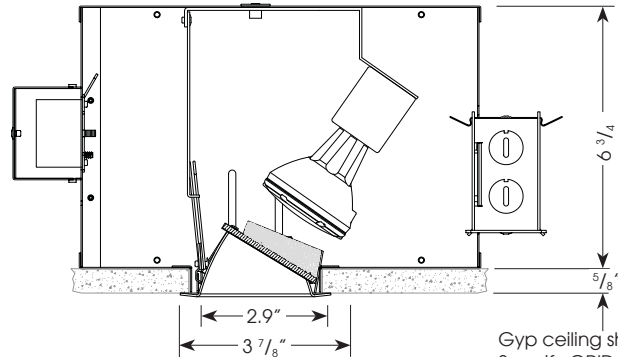
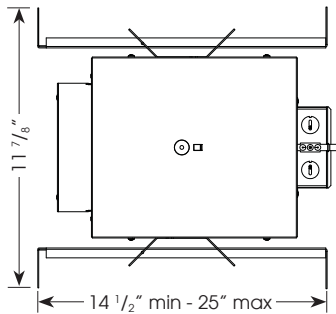
LAMPING:

PAR20MH medium base, 20w and 39w



PROJECT:

TYPE:



Ceiling Cut Out Dimension: 3 7/16" dia.

Gyp ceiling shown.
Specify GRID for 1" deep aperture collar.

ELECTRICAL

Ballast	Input Voltage	Lamping			
		20w		39w	
		Input Watts	Input Amps*	Input Watts	Input Amps*
Electronic	120v	24	.20	45	.40
	277v	22	.09	44	.16

*data is for open circuit current
PAR20MH medium base, 20w and 39w

Electronic ballast

ORDERING INFORMATION:

Housing Model	Wattage	Lamp Type	Voltage	Ceiling Mounting	Reflector Model	Aperture Finish
E2.9RLWX	20	PAR20MH	120	GB - 5/8" deep collar	E2.9RLW	Reflector with White Painted Flange
	39		277	GRID - 1" deep collar		SDW - semi-diffuse
				(other, consult factory)		CLW - specular
						GDW - specular gold
						BKW - specular black
						MWW - matte white
						Reflector with Clear Flange
						(flange finish matches cone finish)
						SDC - semi-diffuse
						CLC - specular
						GDC - specular gold
						BKC - specular black

Complete Unit Specification: E2.9RLWX-39-PAR20MH-120-GB/E2.9RLW-SDW

Housing Only: E2.9RLW-39-PAR20MH-120-GB

Reflector Only: E2.9RLW -SDW

Cat #:

Amerlux reserves the right to change details that do not affect overall function and performance.

EVOKE 2.9" ROUND LENS WALL WASH

E2.9RLW
PAR20MH

amerlux
GLOBAL LIGHTING SOLUTIONS

TYPE:



FIXTURE DATA:

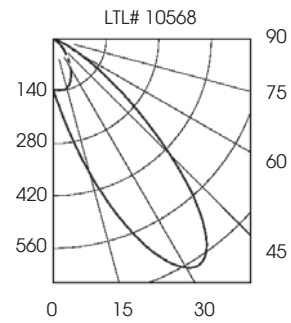
Complete photometric data (ies format) available upon request.

Evolve 2.9" Round Lens Wall Wash
Lamp: Philips CDM35/PAR20/M/FL Lamp Lumens: 2000
Recessed

ZONAL LUMEN SUMMARY

Zone	Lumens	%Lamp	%Fixt
0-30	164	8.2	37.4
0-40	289	14.5	65.8
0-60	426	21.3	96.8
0-90	440	22.0	100.0
90-180	0	0.0	0.0
0-180	440	22.0	100.0

Total Luminaire Efficiency = 22.0%



APPLICATION DATA:

Footcandles are average and rounded off.
Data for multiple units are based on a minimum of five units.

Footcandles on Wall

1.5 Feet From Wall

Distance from ceiling	1.5"			
	1'	2'	3'	4'
1'	38.6	31.2	31.2	38.4
2'	87.8	81.7	81.7	88.2
3'	47.7	47.6	47.9	48.9
4'	23.2	23.7	24.1	24.4
5'	12.1	12.6	12.9	13.1
6'	7.0	7.3	7.5	7.6
7'	4.3	4.5	4.6	4.7
8'	2.9	3.0	3.0	3.1

1.5 Feet From Wall

Distance from ceiling	2"			
	1'	2'	3'	4'
1'	37.0	25.8	17.4	25.8
2'	73.5	61.9	54.0	61.8
3'	37.7	35.7	35.1	35.7
4'	18.9	18.3	18.3	18.3
5'	10.4	10.2	10.3	10.2
6'	6.3	6.2	6.3	6.2
7'	4.1	4.1	4.1	4.1
8'	2.8	2.8	2.8	2.8

2 Feet From Wall

Distance from ceiling	2"			
	1'	2'	3'	4'
1'	9.8	8.1	6.9	8.1
2'	47.4	42.0	39.3	42.0
3'	44.4	42.4	42.3	42.4
4'	27.4	26.8	27.0	26.8
5'	16.3	16.1	16.2	16.3
6'	10.0	10.0	10.1	10.0
7'	6.5	6.5	6.6	6.5
8'	4.4	4.4	4.5	4.4