

EVOKE 2.9" ROUND LENS WALL WASH

E2.9RLW
MR16

APPLICATION:

Commercial and retail wall wash lighting

HOUSING CONSTRUCTION:

20 ga. steel painted matte black
Formed aperture plate with $\frac{5}{8}$ " lip (GB-standard)
Integral adjustable locking mounting bars
Thermally protected
Bi-pin base

REFLECTOR CONSTRUCTION:

Spun aluminum self-flanged reflector with bias cut
Available in a variety of finishes
Integral formed textured kick reflector
Linear spread lens etched on the interior side
Steel mounting ring with torsion spring

LAMPING:

MR16 halogen, 50w max., 12v.

OPTICS:

Spun aluminum lamp holder with spring steel lamp retaining clip, snaps in/out for easy re-lamping

MOUNTING:

Specify ceiling mounting:
GRID: 1" deep aperture collar
GB (Gyp. Board): $\frac{5}{8}$ " deep aperture collar
Extra thick ceiling ring available for ceilings over 1" thick, consult factory
Note: Tilt adjustment reduced to 30° in ceilings $1\frac{1}{4}$ " thick

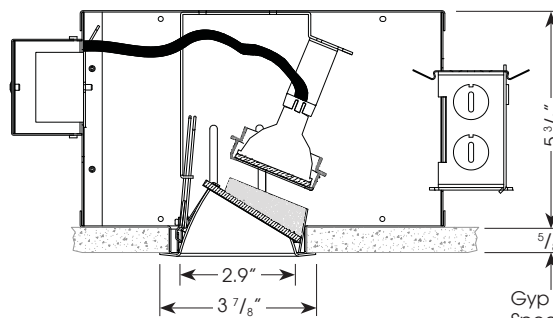
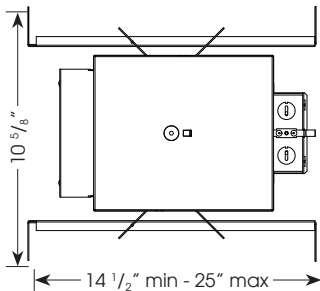
LABELING:

cUL listed
Damp location



PROJECT:

TYPE:



Ceiling Cut Out Dimension: 3 7/8" dia.

Gyp ceiling shown.
Specify GRID for 1" deep aperture collar.

ELECTRICAL

	Lamping	
	50w	
	Input	
Ballast	Watts	Amps*
Electronic 120v	50	.42
	277v	.18

MR16 Bi-pin base, 50w max.

Electronic ballast

Amerlux reserves the right to change details that do not affect overall function and performance.

ORDERING INFORMATION:

Housing				Reflector	
Model	Lamp Type	Voltage	Ceiling Mounting	Model	Aperture Finish
E2.9RLW	MR16 (50w max)	120 277	GB - 5/8" deep collar GRID - 1" deep collar - (other, consult factory)	E2.9RLW	Reflector with White Painted Flange SDW - semi-diffuse clear CLW - specular clear GDW - specular gold BKW - specular black MWW - matte white

Reflector with Clear Flange
(flange finish matches cone finish)
SDC - semi-diffus clear
CLC - specular clear
GDC - specular gold
BKC - specular black

Complete Unit Specification: E2.9RLW-MR16-120-GB/E2.9RLW-SDW

Housing Only: E2.9RLW-MR16-120-GB

Reflector Only: E2.9RLW-SDW

Cat #:

EVOKE 2.9" ROUND LENS WALL WASH

E2.9RLW
MR16



TYPE:



FIXTURE DATA:

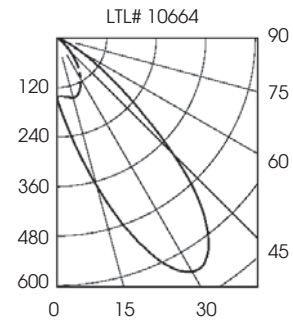
Complete photometric data (ies format) available upon request.

Evoke 2.9" Round Lens Wall Wash
Lamp: GE Q50MR16/HIR/CG40 Lamp Lumens: 1125
Recessed

ZONAL LUMEN SUMMARY

Zone	Lumens	%Lamp	%Fixt
0-30	201	17.8	54.2
0-40	296	26.3	79.9
0-60	364	32.3	98.2
0-90	370	32.9	100.0
90-180	0	0.0	0.0
0-180	370	32.9	100.0

Total Luminaire Efficiency = 32.9%



APPLICATION DATA:

Footcandles are average and rounded off.
Data for multiple units are based on a minimum of five units.

Footcandles on Wall

1.5 Feet From Wall

		1.5"			
Distance from ceiling	1'	11.8	9.9	9.9	11.8
	2'	43.3	42.6	42.6	43.5
	3'	41.3	41.1	41.3	42.2
	4'	26.4	26.8	27.1	27.7
	5'	15.9	16.3	16.7	17.0
	6'	9.8	10.1	10.4	10.6
	7'	6.3	6.6	6.7	6.9
	8'	4.3	4.4	4.5	4.6

1.5 Feet From Wall

		2"				
Distance from ceiling	1'	10.9	8.0	6.1	7.9	10.9
	2'	35.3	32.8	29.5	32.7	35.3
	3'	31.6	31.5	30.5	31.5	31.6
	4'	20.9	20.8	20.5	20.8	20.9
	5'	13.2	13.1	13.0	13.1	13.2
	6'	8.6	8.6	8.5	8.6	8.6
	7'	5.9	5.8	5.8	5.8	5.9
	8'	4.1	4.1	4.1	4.1	4.1

2 Feet From Wall

		2"				
Distance from ceiling	1'	3.7	3.0	2.7	3.0	3.7
	2'	17.5	16.1	14.9	16.1	17.5
	3'	26.1	25.8	25.7	25.8	26.1
	4'	23.7	23.3	23.3	23.3	23.7
	5'	17.5	17.3	17.3	17.3	17.5
	6'	12.3	12.2	12.2	12.2	12.3
	7'	8.6	8.6	8.6	8.6	8.6
	8'	6.2	6.1	6.2	6.1	6.2