

EVOKE 2.9 ROUND PINHOLE ADJUSTABLE

E2.9RPA
CDM-Tm

APPLICATION:

Commercial and retail accent and display lighting

HOUSING CONSTRUCTION:

20 ga. steel painted matte black
Formed aperture plate with 5/8" lip (GB-standard)
Integral adjustable locking mounting bars
Thermally protected
PGJ5 pulse rated socket

REFLECTOR CONSTRUCTION:

Die-cast aluminum faceplate painted matte white
Die-cast knife edge baffle painted matte black
Spring steel mounting clips

LAMPING:

Phillips CDMTm Mini MasterColor PGJ5 base,
20w and 39w

OPTICS:

Cam adjustment mechanism provides lockable 0-35° tilt; 360°+ rotation
Die-cast lamp housing with twist in/out lens holder
Spun faceted and peened optics, specially designed for CDM-Tm lamps
Available in custom tints to tune beam to provide incandescent-like hue

MOUNTING:

Specify ceiling mounting:
GRID: 1" deep aperture collar
GB (Gyp. Board): 5/8" deep aperture collar
Extra thick ceiling ring available for ceilings over 1" thick, consult factory
Note: Tilt adjustment reduced to 30° in ceilings 1 1/4" thick

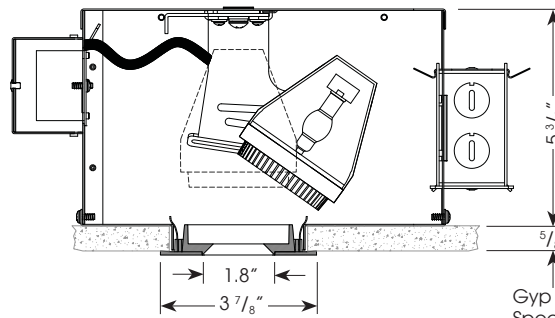
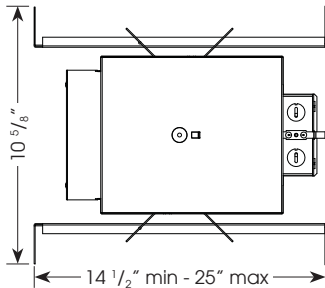
LABELING:

cUL listed
Damp location



PROJECT:

TYPE:



Ceiling Cut Out Dimension: 3 7/8" dia.

ELECTRICAL

Ballast	Lamping			
	20w		39w	
	Input Watts	Input Amps*	Input Watts	Input Amps*
Electronic 120v	26	.23	45	.40
277v	26	.12	45	.20

*data is for open circuit current
CMH CDM-Tm base metal halide, 20w and 39w
Electronic ballast

ORDERING INFORMATION:

Amerlux reserves the right to change details that do not affect overall function and performance.

Housing							Reflector		Accessories
Model	Wattage	Lamp Type	Voltage	Beam Spread	Ceiling Mounting	Optic Options	Model	Aperture Finish	Ordered Separately
E2.9RA	20 39	MM - Mini MasterColor® 277 CDM-Tm	120	CL - spot, 12° NF - narrow flood, 18° FL - flood, 25° WF - wide flood, 40° SL - linear spread, 5° x 55°	GB - 5/8" deep collar GRID - 1" deep collar - (other, consult factory)	GOLD - ferric gold optic reflector DB2690 - DB2690 optic reflector	E2.9RPA	Faceplate with black baffle MW - matte white	HEX20 - hexcell louver SOL20 - beam softening lens (standard w/NF option) Accepts up to 2 accessories

Complete Unit Specification: E2.9RA-20-MM-120-NF-GB/E2.9RPA-SDW
Housing Only: E2.9RA-20-MM-120-NF-GB
Reflector Only: E2.9RPA-MW

Cat #:

EVOKE 2.9 ROUND PINHOLE ADJUSTABLE

E2.9RPA
CDM-Tm



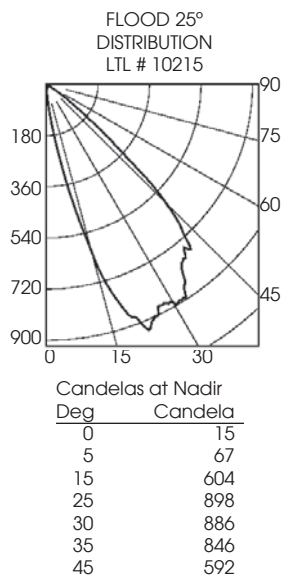
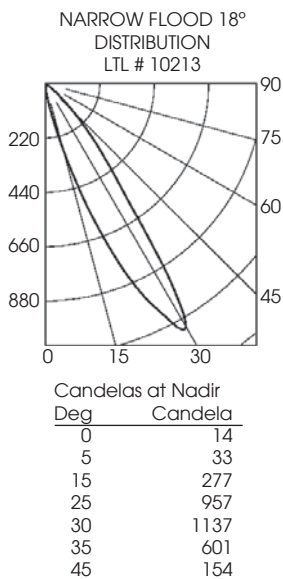
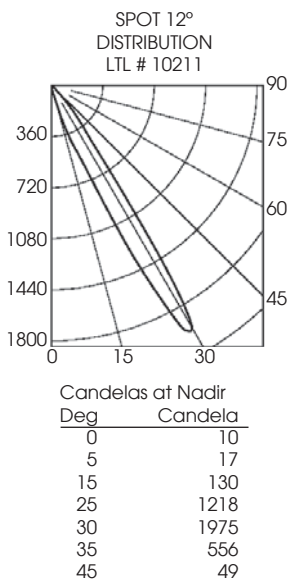
TYPE:



FIXTURE DATA: Test run with standard clear reflector. For gold multiply by 0.9
For 39w data multiply by 1.8

Complete photometric data (ies format) available upon request.

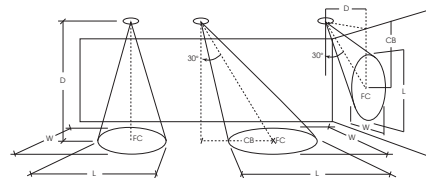
20W CDM-Tm



APPLICATION DATA:

Notes and Definitions:

Beam spread is to 50% center beam candlepower (CBCP).
D=Distance to floor or wall.
FC=Footcandles on floor or wall at center beam aiming location.
L=Effective Visual Beam length in feet (50% of maximum footcandle level).
W=Effective Visual Beam width in feet (50% of maximum footcandle level).
CB=Distance across or down to center beam location.



30° Aiming Angle
Horizontal
Footcandles



30° Aiming Angle
Vertical
Footcandles

	Horizontal Footcandles					Vertical Footcandles				
	D	FC	L	W	CB	D	FC	L	W	CB
SPOT	5.0'	46	1.4	1.3	3.0	3.0'	27	2.0	1.2	5.0
	7.5'	23	1.6	1.8	4.0	4.0'	15	2.6	1.7	7.0
	10.0'	11	2.5	2.4	5.0	5.0'	9	3.3	2.2	9.0
	12.5'	8	2.8	3.1	7.0	6.0'	7	3.7	2.5	10.0
NARROW FLOOD	5.0'	27	2.2	1.5	3.0	3.0'	16	3.1	1.4	5.0
	7.5'	13	2.9	2.2	4.0	4.0'	9	4.3	2.0	7.0
	10.0'	7	3.7	2.8	5.0	5.0'	6	5.3	2.4	8.0
	12.5'	5	4.7	3.5	7.0	6.0'	4	5.3	2.9	10.0
FLOOD	5.0'	29	2.9	2.5	2.0	3.0'	23	2.9	2.1	3.0
	7.5'	13	4.4	4.0	3.0	4.0'	13	3.8	2.7	4.0
	10.0'	7	5.8	5.3	4.0	5.0'	8	4.7	3.6	5.0
	12.5'	5	7.3	6.7	5.0	6.0'	6	5.6	4.3	6.0