

# EVOKE 2.9 ROUND PINHOLE ADJUSTABLE

**E2.9RPA**  
MR16

**APPLICATION:**

Commercial and retail accent and display lighting

**HOUSING CONSTRUCTION:**

20 ga. steel painted matte black  
Formed aperture plate with  $\frac{5}{8}$ " lip (GB-standard)  
Integral adjustable locking mounting bars  
Thermally protected  
Bi-pin base

**REFLECTOR CONSTRUCTION:**

Die-cast aluminum faceplate painted matte white  
Die-cast knife edge baffle painted matte black  
Spring steel mounting clips

**LAMPING:**

MR16 halogen, 50w max., 12v.

**OPTICS:**

Cam adjustment mechanism provides lockable 0-35° tilt; 360°+ rotation  
Spun aluminum lamp holder with spring steel retaining clip, snaps in/out for easy re-lamping  
Accepts up to 2 accessories  
Solite beam softening lens (standard)

**MOUNTING:**

Specify ceiling mounting:  
GRID: 1" deep aperture collar  
GB (Gyp. Board):  $\frac{5}{8}$ " deep aperture collar  
Extra thick ceiling ring available for ceilings over 1" thick, consult factory  
Note: Tilt adjustment reduced to 30° in ceilings  $1\frac{1}{4}$ " thick

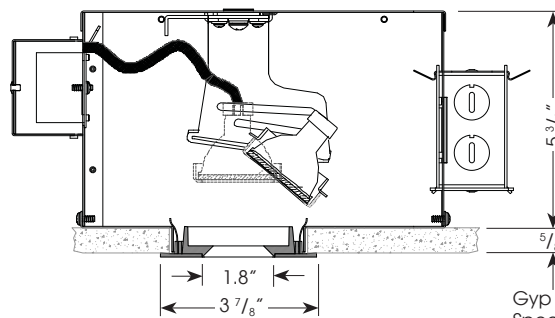
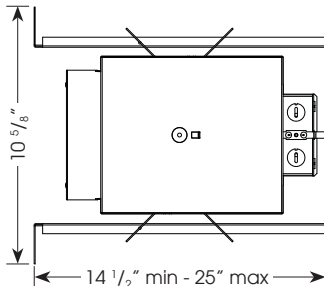
**LABELING:**

cUL listed  
Damp location



PROJECT:

TYPE:



Gyp ceiling shown.  
Specify GRID for 1" deep aperture collar.

Ceiling Cut Out Dimension:  $3\frac{7}{16}$ " dia.

**ELECTRICAL**

Ballast	Lamping 50w Input Watts	Amps*	
		120v	277v
Electronic	50	.42	.18

MR16 Bi-pin base, 50w max.  
Electronic ballast

**ORDERING INFORMATION:**

Amerlux reserves the right to change details that do not affect overall function and performance.

Housing				Reflector		Accessories
Model	Lamp Type	Voltage	Ceiling Mounting	Model	Aperture Finish	Ordered Separately
E2.9RA	MR16 (50w max)	120 277	GB - 5/8" deep collar GRID - 1" deep collar - (other, consult factory)	E2.9RPA	Faceplate with black baffle MW - matte white	HEX16 - hexcell louver SPR16 - linear spread lens  Accepts up to 2 accessories

Complete Unit Specification: E2.9RA-MR16-120-GB/E2.9RPA-SDW  
Housing Only: E2.9RA-MR16-120-GB  
Reflector Only: E2.9RPA-MW

Cat #: