

EVOKE 2.9 SQUARE ADJUSTABLE

E2.9SA
CDM-Tm

APPLICATION:

Commercial and retail accent and display lighting

HOUSING CONSTRUCTION:

20 ga. steel painted matte black
Formed aperture plate with 5/8" lip (GB-standard)
Integral adjustable locking mounting bars
Thermally protected
PGJ5 pulse rated socket

REFLECTOR CONSTRUCTION:

Die-cast aluminum seamless self-flange reflector trim
Painted finishes include matte white and optical matte black with matte white flange
Spring steel mounting clips

LAMPING:

Philips CDM-Tm Mini MasterColor® PGJ5 base, 20w and 39w

OPTICS:

Cam adjustment mechanism provides lockable 0-40° tilt; 360°+ rotation
Die-cast lamp housing, with twist in/out lens holder
Spun faceted and peened optics, specially designed for CDM-Tm lamps
Available in custom tints to tune beam to provide incandescent-like hue

MOUNTING:

Specify ceiling mounting:
GRID: 1" deep aperture collar
GB (Gyp. Board): 5/8" deep aperture collar
Extra thick ceiling ring available for ceilings over 1" thick, consult factory
Note: Tilt adjustment reduced to 30° in ceilings 1 1/4" thick

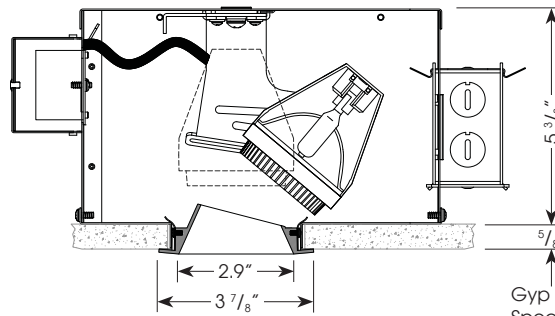
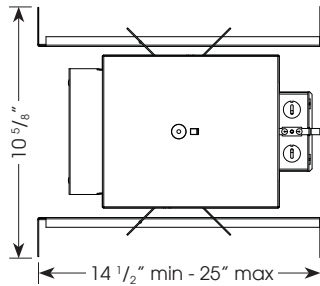
LABELING:

cUL listed
Damp location



PROJECT:

TYPE:



Ceiling Cut Out Dimension: 3 7/16" sq.

Gyp ceiling shown. Specify GRID for 1" deep aperture collar.

ELECTRICAL

Ballast	Lamping			
	20w		39w	
	Input Watts	Input Amps*	Input Watts	Input Amps*
Electronic 120v	26	.23	45	.40
277v	26	.12	45	.20

*data is for open circuit current
CMH CDM-Tm base metal halide, 20w and 39w

Electronic ballast

ORDERING INFORMATION:

Amerlux reserves the right to change details that do not affect overall function and performance.

Housing						Reflector		Accessories	
Model	Wattage	Lamp Type	Voltage	Beam Spread	Ceiling Mounting	Optic Options	Model	Aperture Finish	Ordered Separately
E2.9SA	20 39	MM - Mini MasterColor 277 CDM-Tm	120	CL - spot, 12° NF - narrow flood, 18° FL - flood, 25° WF - wide flood, 40° SL - linear spread, 5° x 55°	GB - 5/8" deep collar GRID - 1" deep collar _____ (other, consult factory)	GOLD - ferric gold optic reflector DB2690 - DB2690 optic reflector	E2.9SA	Reflector with White Painted Flange MBW - matte black MWW - matte white	HEX20 - hexcell louver SOL20 - beam softening lens (standard w/NF option) SPR20 - linear spread lens, 5° x 55° (standard w/SL beam spread)

Complete Unit Specification: E2.9SA-20-MM-120-NF-GB/E2.9SA-MBW
Housing Only: E2.9SA-20-MM-120-NF-GB
Reflector Only: E2.9SA-MBW

Accepts up to 2 accessories

Cat #:



GLOBAL LIGHTING SOLUTIONS

LIT-0382 rev 5/10