

EVOKE 2.9" SQUARE ADJUSTABLE

E2.9SA
CMHMR16

APPLICATION:

Commercial and retail accent and display lighting

HOUSING CONSTRUCTION:

20 ga. steel painted matte black
Formed aperture plate with 5/8" lip (GB-standard)
Integral adjustable locking mounting bars
Thermally protected
GX10 TAL pulse rated socket

REFLECTOR CONSTRUCTION:

Die-cast aluminum seamless self-flange reflector trim
Painted finishes include matte white and optical
matte black with matte white flange
Spring steel mounting clips

LAMPING:

CMHMR16, GX10 base, 20w and 39w

OPTICS:

Cam adjustment mechanism provides lockable 0-40° tilt; 360°+ rotation
Spun aluminum lamp holder, snaps in/out for easy re-lamping, accepts one accessory

MOUNTING:

Specify ceiling mounting:
GRID: 1" deep aperture collar
GB (Gyp. Board): 5/8" deep aperture collar
Extra thick ceiling ring available for ceilings over 1" thick, consult factory
Note: Tilt adjustment reduced to 30° in ceilings 1 1/4" thick

LABELING:

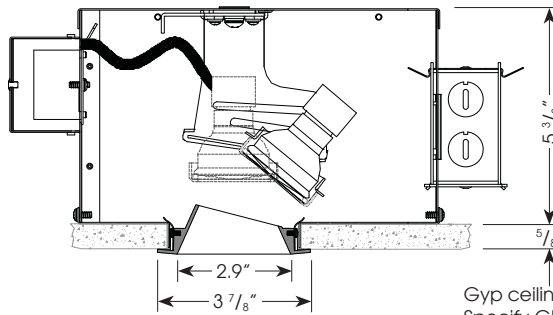
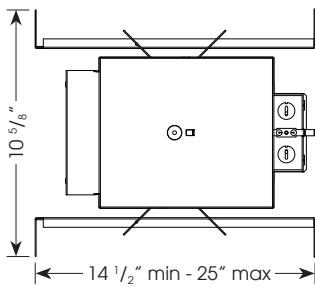


Damp location



PROJECT:

TYPE:



Ceiling Cut Out Dimension: 3 7/16" sq.

Gyp ceiling shown. Specify GRID for 1" deep aperture collar.

ELECTRICAL

Ballast	Input Voltage	Lamping			
		20w		39w	
		Input Watts	Amps*	Input Watts	Amps*
Electronic	120v	24	.20	45	.40
	277v	22	.09	44	.16

*data is for open circuit current
CMHMR16, GX10 base metal halide, 20w and 39w
Electronic ballast

ORDERING INFORMATION:

Housing					Reflector		Accessories
Model	Wattage	Lamp Type	Voltage	Ceiling Mounting	Model	Aperture Finish	Ordered Separately
E2.9SA	20	CMHMR16	120	GB - 5/8" deep collar	E2.9SA	Reflector with White Painted Flange	HEX16 - hexcell louver
	39		277	GRID - 1" deep collar		MBW - matte black	SOL16 - beam softening lens
				(other, consult factory)		MWW - matte white	SPR16 - linear spread lens, 5° x 55°

Complete Unit Specification: E2.9SA-20-CMHMR16-120-GB/E2.9SA-MBW
Housing Only: E2.9SA-20-CMHMR16-120-GB
Reflector Only: E2.9SA-MBW

Cat #:

Amerlux reserves the right to change details that do not affect overall function and performance.

EVOKE 2.9" SQUARE ADJUSTABLE

E2.9SA
CMHMR16



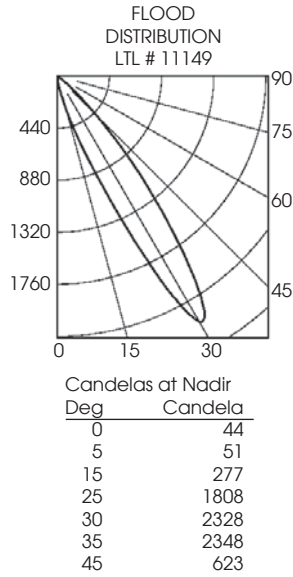
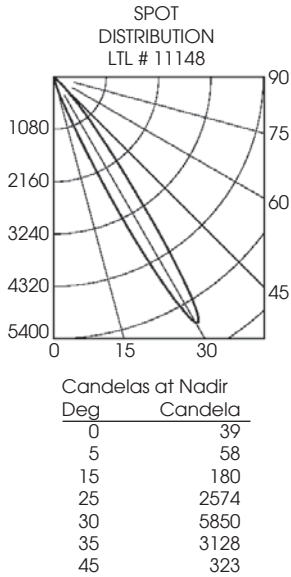
TYPE:



FIXTURE DATA:

Complete photometric data (ies format) available upon request.

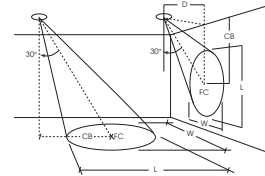
20W CDM-Tm



APPLICATION DATA:

Notes and Definitions:

Beam spread is to 50% center beam candlepower (CBCP).
 D=Distance to floor or wall.
 FC=Footcandles on floor or wall at center beam aiming location.
 L=Effective Visual Beam length in feet (50% of maximum footcandle level).
 W=Effective Visual Beam width in feet (50% of maximum footcandle level).
 CB=Distance across or down to center beam location.



	30° Aiming Angle Horizontal Footcandles					30° Aiming Angle Vertical Footcandles				
	D	FC	L	W	CB	D	FC	L	W	CB
SPOT	5.0'	146	1.3	1.3	3.0	3.0'	88	2.0	1.3	5.0
	7.5'	60	2.0	1.9	4.0	4.0'	44	2.9	1.8	6.0
	10.0'	37	2.4	2.5	6.0	5.0'	32	3.4	2.0	8.0
	12.5'	24	3.0	3.2	7.0	6.0'	22	4.1	2.5	10.0
FLOOD	5.0'	60	2.3	1.7	3.0	3.0'	50	2.7	1.4	4.0
	7.5'	26	3.4	2.6	4.0	4.0'	26	3.8	2.0	5.0
	10.0'	15	4.5	3.3	6.0	5.0'	18	4.4	2.5	7.0
	12.5'	10	5.6	4.2	7.0	6.0'	13	5.3	2.9	8.0