

EVOKE 2.9 SQUARE ADJUSTABLE

E2.9SA
MR16



APPLICATION:

Commercial and retail accent and display lighting

HOUSING CONSTRUCTION:

20 ga. steel painted matte black
Formed aperture plate with 5/8" lip (GB-standard)
Integral adjustable locking mounting bars
Thermally protected
Bi-pin base

REFLECTOR CONSTRUCTION:

Die-cast aluminum seamless self-flange reflector trim
Painted finishes include matte white and optical
matte black with matte white flange
Spring steel mounting clips

LAMPING:

MR16 halogen, 50w max., 12v.

OPTICS:

Cam adjustment mechanism provides
lockable 0-40° tilt; 360°+ rotation
Spun aluminum lamp holder, snaps in/out for easy
re-lamping
Solite beam softening lens (standard)

MOUNTING:

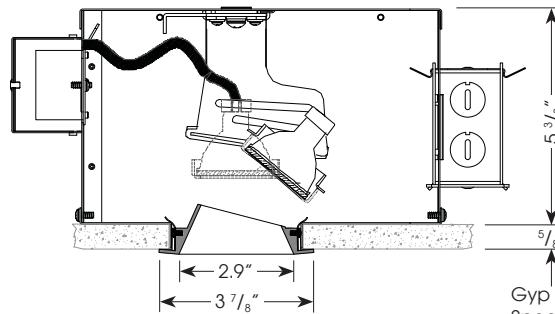
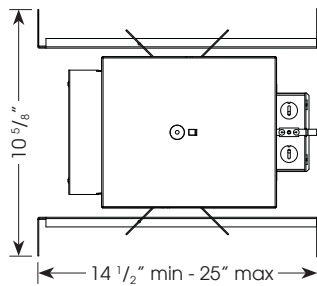
Specify ceiling mounting:
GRID: 1" deep aperture collar
GB (Gyp. Board): 5/8" deep aperture collar
Extra thick ceiling ring available for ceilings over 1"
thick, consult factory
Note: Tilt adjustment reduced to 30° in ceilings 1 1/4"
thick

LABELING:

cUL listed
Damp location

PROJECT:

TYPE:



Ceiling Cut Out Dimension: 3 7/16" sq.

Gyp ceiling shown.
Specify GRID for 1" deep aperture collar.

ELECTRICAL

Ballast	Lamping	
	Watts	Amps
Electronic 120v	50	.42
	277v	.18

MR16 Bi-pin base, 20w max.

Electronic ballast

Amerlux reserves the right to change details that do not affect overall function and performance.

ORDERING INFORMATION:

Housing				Reflector		Accessories
Model	Lamp Type	Voltage	Ceiling Mounting	Model	Aperture Finish	Ordered Separately
E2.9SA	MR16 (50w max)	120 277	GB - 5/8" deep collar GRID - 1" deep collar (other, consult factory)	E2.9SA	Reflector with White Painted Flange MBW - matte black MWW - matte white	HEX16 - hexcell louver SPR16 - linear spread lens, 5° x 55°

Complete Unit Specification: E2.9SA-MR16-120-GB/E2.9SA-MBW
Housing Only: E2.9SA-MR16-120-GB
Reflector Only: E2.9SA-MBW

Cat #: