

EVOKE 2.9 SQUARE DOWNLIGHT

**E2.9SD
PAR20MH**

APPLICATION:

Commercial and retail ambient and task lighting

HOUSING CONSTRUCTION:

20 ga. steel painted matte black
Formed aperture plate with 5/8" lip (GB-standard)
Integral adjustable locking mounting bars
Thermally protected
Medium base pulse rated socket

REFLECTOR CONSTRUCTION:

Die-cast aluminum seamless self-flanged trim
Painted finishes include matte white and optical
matte black with matte white flange
Spring steel mounting clips

LAMPING:

PAR20MH medium base, 20w and 39w

OPTICS:

Formed steel lamp holder, clips in/out for easy re-lamping

MOUNTING:

Specify ceiling mounting:
GRID: 1" deep aperture collar
GB (Gyp. Board): 5/8" deep aperture collar
Extra thick ceiling ring available for ceilings over 1" thick, consult factory
Note: Tilt adjustment reduced to 30° in ceilings 1 1/4" thick

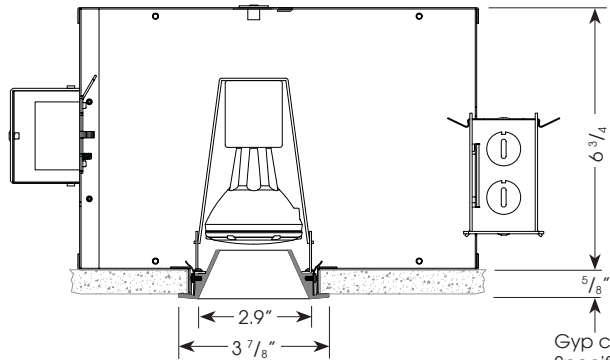
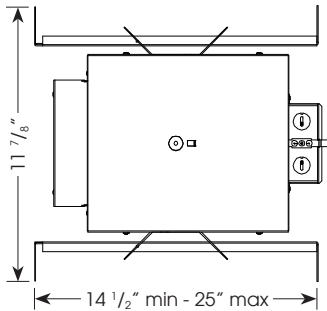
LABELING:

cUL listed
Damp location



PROJECT:

TYPE:



Gyp ceiling shown.
Specify GRID for 1" deep aperture collar.

Ceiling Cut Out Dimension: 3 7/16"

ELECTRICAL

Ballast	Input Voltage	Lamping			
		20w		39w	
		Input Watts	Input Amps*	Input Watts	Input Amps*
Electronic	120v	24	.20	45	.40
	277v	22	.09	44	.16

*data is for open circuit current
PAR20MH medium base, 20w and 39w
Electronic ballast

Amerlux reserves the right to change details that do not affect overall function and performance.

ORDERING INFORMATION:

Housing					Reflector		Accessories
Model	Wattage	Lamp Type	Voltage	Ceiling Mounting	Model	Aperture Finish	Ordered Separately
E2.9SDX 39	20	PAR20MH	120 277	GB - 5/8" deep collar GRID - 1" deep collar (other, consult factory)	E2.9SD	Reflector with White Painted Flange MBW - matte black MWW - matte white	Consult Factory

Complete Unit Specification: E2.9SDX-39-PAR20MH-120-GB/E2.9SD-MBW
Housing Only: E2.9SDX-39-PAR20MH-120-GB
Reflector Only: E2.9SD-MBW

Cat #:

EVOKE 2.9 SQUARE DOWNLIGHT

E2.9SD
PAR20MH



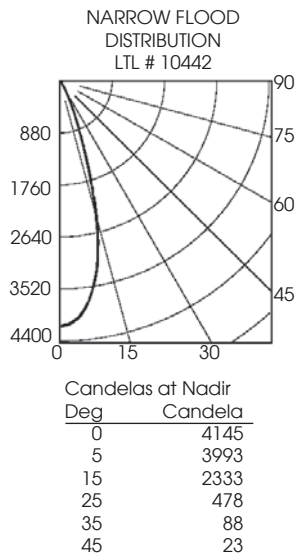
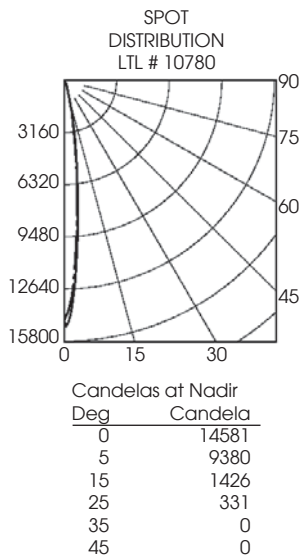
TYPE:



FIXTURE DATA:

Complete photometric data (ies format) available upon request.

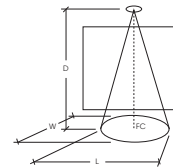
39W PAR20MH



APPLICATION DATA:

Notes and Definitions:

Beam spread is to 50% center beam candlepower (CBCP).
 D=Distance to floor or wall.
 FC=Footcandles on floor or wall at center beam aiming location.
 L=Effective Visual Beam length in feet (50% of maximum footcandle level).
 W=Effective Visual Beam width in feet (50% of maximum footcandle level).
 CB=Distance across or down to center beam location.



	0° Aiming Angle Horizontal Footcandle			
	D	FC	L	W
SPOT	5.0'	583	1.2	1.2
	7.5'	259	1.6	1.7
	10.0'	146	2.2	2.3
	12.5'	93	2.8	2.9
FLOOD	5.0'	166	2.8	2.8
	7.5'	74	4.1	4.1
	10.0'	42	5.4	5.3
	12.5'	27	6.9	6.8