

# EVOKE 2.9" SQUARE DOWNLIGHT

**E2.9SD**  
MR16



**APPLICATION:**

Commercial and retail ambient and task lighting

**HOUSING CONSTRUCTION:**

20 ga. steel painted matte black  
Formed aperture plate with 5/8" lip (GB-standard)  
Integral adjustable locking mounting bars  
Thermally protected  
Bi-pin base

**REFLECTOR CONSTRUCTION:**

Die-cast aluminum seamless self-flanged trim  
Painted finishes include matte white and optical matte black with matte white flange  
Spring steel mounting clips

**LAMPING:**

MR16 halogen, 50w max., 12v.

**OPTICS:**

Die-cast lamp housing with spring steel lamp retaining clip  
Solite beam softening lens (standard)

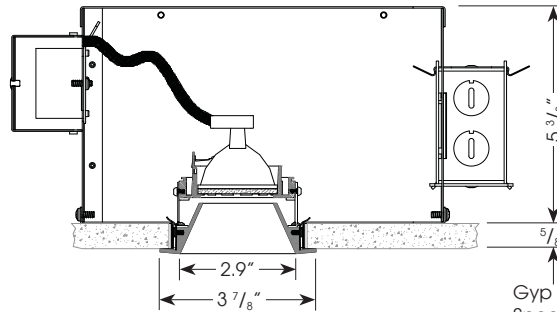
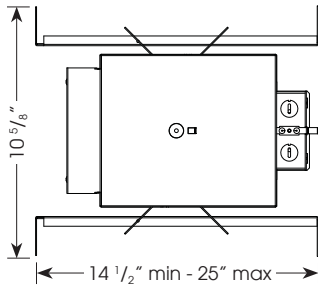
**MOUNTING:**

Specify ceiling mounting:  
GRID: 1" deep aperture collar  
GB (Gyp. Board): 5/8" deep aperture collar  
Extra thick ceiling ring available for ceilings over 1" thick, consult factory  
Note: Tilt adjustment reduced to 30° in ceilings 1 1/4" thick

**LABELING:**

cUL listed  
Damp location

PROJECT:  
  
TYPE:



Gyp ceiling shown. Specify GRID for 1" deep aperture collar.

Ceiling Cut Out Dimension: 3 7/16"

**ELECTRICAL**

		Lamping	
		50w	
		Input	
Ballast		Watts	Amps
Electronic 120v		50	.42
	277v	50	.18

MR16 Bi-pin base, 20w max.

**Electronic ballast**

Amerlux reserves the right to change details that do not affect overall function and performance.

**ORDERING INFORMATION:**

Housing				Reflector		Accessories
Model	Lamp Type	Voltage	Ceiling Mounting	Model	Aperture Finish	Ordered Separately
E2.9SD	MR16 (50w max)	120 277	GB - 5/8" deep collar GRID - 1" deep collar  (other, consult factory)	E2.9SD	Reflector with White Painted Flange MBW - matte black MWW - matte white	HEX16 - hexcell louver SPR16 - linear spread lens, 5° x 55°

Complete Unit Specification: E2.9SD-MR16-120-GB/E2.9SD-MBW

Housing Only: E2.9SD-MR16-120-GB

Reflector Only: E2.9SD-MBW

Cat #:

# EVOKE 2.9" SQUARE DOWNLIGHT

E2.9SD  
MR16



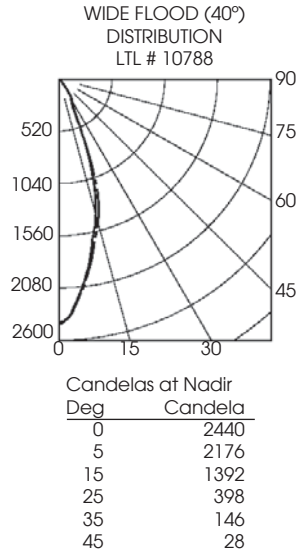
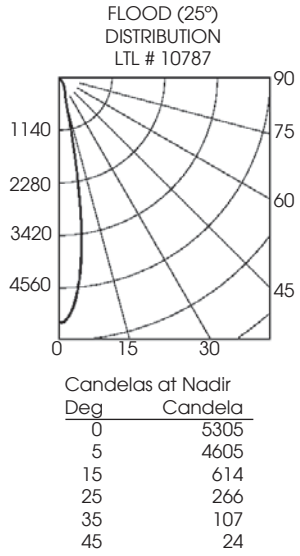
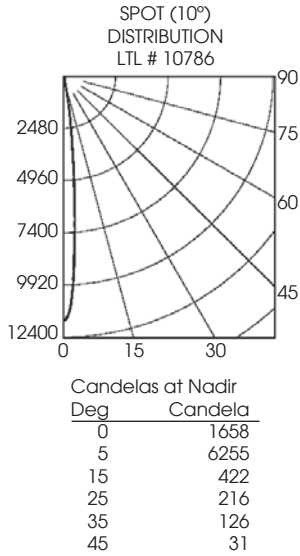
TYPE:



**FIXTURE DATA:**

Complete photometric data (ies format) available upon request.

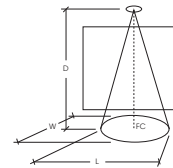
**50W MR16**



**APPLICATION DATA:**

**Notes and Definitions:**

Beam spread is to 50% center beam candlepower (CBCP).  
 D=Distance to floor or wall.  
 FC=Footcandles on floor or wall at center beam aiming location.  
 L=Effective Visual Beam length in feet (50% of maximum footcandle level).  
 W=Effective Visual Beam width in feet (50% of maximum footcandle level).  
 CB=Distance across or down to center beam location.



	D	FC	L	W
SPOT	5.0'	466	1.1	1.1
	7.5'	207	1.4	1.4
	10.0'	117	1.7	1.8
	12.5'	75	2.3	2.4
FLOOD	5.0'	212	1.4	1.5
	7.5'	94	2.5	2.6
	10.0'	53	3.2	3.3
	12.5'	34	4.0	4.1
WIDE FLOOD	5.0'	98	2.8	2.7
	7.5'	43	4.3	4.1
	10.0'	24	5.8	5.4
	12.5'	16	7.3	6.8