

EVOKE 2.9 SQUARE LENS WALL WASH

E2.9SLW
CDM-Tm

APPLICATION:

Commercial and retail wall wash lighting

HOUSING CONSTRUCTION:

20 ga. steel painted matte black
Formed aperture plate with 5/8" lip (GB-standard)
Integral adjustable locking mounting bars
Thermally protected
PGJ5 pulse rated socket

REFLECTOR CONSTRUCTION:

Die-cast aluminum seamless self-flanged trim
Painted finishes include matte white and optical
matte black with matte white flange
Linear spread lens with etched finish on interior side

LAMPING:

Philips CDM-Tm Mini Mastercolor® PGJ5 base,
20w and 39w

OPTICS:

Die-cast lamp housing with twist in/out lens holder
Spun faceted and peened optics, specially de-
signed for the CDM-Tm lamps
Available in custom tints to tune beam to provide
incandescent-like hue

MOUNTING:

Specify ceiling mounting:
GRID: 1" deep aperture collar
GB (Gyp. Board): 5/8" deep aperture collar
Extra thick ceiling ring available for ceilings over 1"
thick, consult factory
Note: Tilt adjustment reduced to 30° in ceilings 1 1/4"
thick

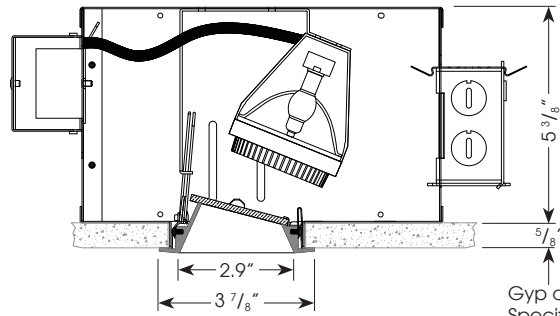
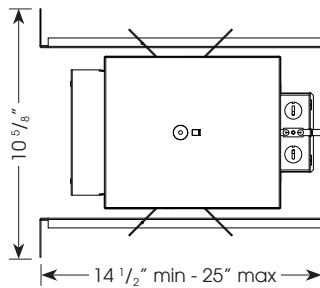
LABELING:

cUL listed
Damp location



PROJECT:

TYPE:



Ceiling Cut Out Dimension: 3 7/8" dia.

Gyp ceiling shown.
Specify GRID for 1"
deep aperture collar.

ELECTRICAL

Ballast	Input Watts	Lamping		Input Watts	Input Amps*
		20w	39w		
Electronic	120v	26	.23	45	.40
	277v	26	.12	45	.20

*data is for open circuit current
CMH CDM-Tm base metal halide, 20w and 39w
Electronic ballast

ORDERING INFORMATION:

Housing						Reflector	
Model	Wattage	Lamp Type	Voltage	Ceiling Mounting	Optic Options	Model	Aperture Finish
E2.9SLW	20	MM - Mini MasterColor® CDM-Tm	120	GB - 5/8" deep collar	GOLD - ferric gold optic reflector	E2.9SLW	Reflector with White Painted Flange MBW - matte black MWW - matte white
	39		277	GRID - 1" deep collar	DB2690 - DB2690 optic reflector		
				(other, consult factory)			

Amerlux reserves the right to change details that do not affect overall function and performance.

Complete Unit Specification: E2.9SLW-20-MM-120-GB/E2.9SLW-MBW
Housing Only: E2.9SLW-20-MM-120-GB
Reflector Only: E2.9SLW-MBW

Cat #:

EVOKE 2.9 SQUARE LENS WALL WASH

E2.9SLW
CDM-Tm



TYPE:



FIXTURE DATA: Test run with standard clear reflector. For gold multiply by 0.9
For 39w data multiply by 2.1

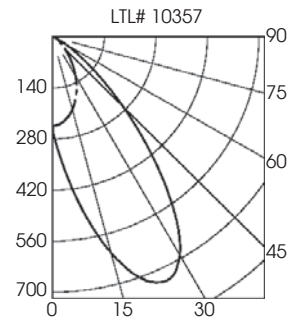
Complete photometric data (ies format) available upon request.

Evoke 2.9" Square Lens Wall Wash
Lamp: Philips CDM-Tm/20w/830 Lamp Lumens: 1625
Recessed

ZONAL LUMEN SUMMARY

Zone	Lumens	%Lamp	%Fixt
0-30	226	13.9	45.2
0-40	353	21.7	70.5
0-60	477	29.4	95.3
0-90	500	30.8	100.0
90-180	0	0.0	0.0
0-180	500	30.8	100.0

Total Luminaire Efficiency = 30.8%



APPLICATION DATA:

Footcandles on Wall

Footcandles are average and rounded off.
Data for multiple units are based on a minimum of five units.

1.5 Feet From Wall

Distance from ceiling	1.5"			
	1'	2'	3'	4'
1'	22.5	21.2	21.2	22.5
2'	71.0	68.6	68.6	71.4
3'	52.9	52.5	52.8	54.1
4'	30.4	30.8	31.3	31.9
5'	17.7	18.2	18.6	18.9
6'	10.9	11.3	11.5	11.7
7'	7.1	7.3	7.5	7.6
8'	4.8	5.0	5.1	5.2

1.5 Feet From Wall

Distance from ceiling	2"			
	1'	2'	3'	4'
1'	20.7	17.5	13.0	17.3
2'	57.9	52.7	47.0	52.7
3'	41.6	39.9	38.7	39.9
4'	24.6	24.0	23.7	24.0
5'	15.0	14.7	14.6	15.0
6'	9.6	9.5	9.5	9.6
7'	6.5	6.5	6.5	6.5
8'	4.6	4.6	4.6	4.6

2 Feet From Wall

Distance from ceiling	2"			
	1'	2'	3'	4'
1'	5.8	5.6	5.3	5.6
2'	31.7	30.6	29.9	30.6
3'	39.9	38.6	38.5	39.9
4'	30.4	29.7	29.8	30.4
5'	20.5	20.2	20.3	20.5
6'	13.9	13.7	13.8	13.9
7'	9.6	9.5	9.6	9.6
8'	6.8	6.8	6.8	6.8