

# EVOKE 2.9 SQUARE LENS WALL WASH

**E2.9SLW**  
T4GU6.5

**APPLICATION:**

Commercial and retail wall wash lighting

**HOUSING CONSTRUCTION:**

20 ga. steel painted matte black  
Formed aperture plate with  $\frac{5}{8}$ " lip (GB-standard)  
Integral adjustable locking mounting bars  
Thermally protected  
GU6.5 TAL pulse rated socket

**REFLECTOR CONSTRUCTION:**

Die-cast aluminum seamless self-flanged trim  
Painted finishes include matte white and optical matte black with matte white flange  
Linear spread lens with etched finish on interior side

**LAMPING:**

CMH T4GU6.5 base, 15w (SYLVANIA METALARC® POWERBALL®), 20w and 39w

**OPTICS:**

Die-cast lamp housing with twist in/out lens holder  
Spun faceted and peened optics, specially designed for the T4GU6.5 lamps  
Available in custom tints to tune beam to provide incandescent-like hue

**MOUNTING:**

Specify ceiling mounting:  
GRID: 1" deep aperture collar  
GB (Gyp. Board):  $\frac{5}{8}$ " deep aperture collar  
Extra thick ceiling ring available for ceilings over 1" thick, consult factory  
Note: Tilt adjustment reduced to 30° in ceilings  $1\frac{1}{4}$ " thick

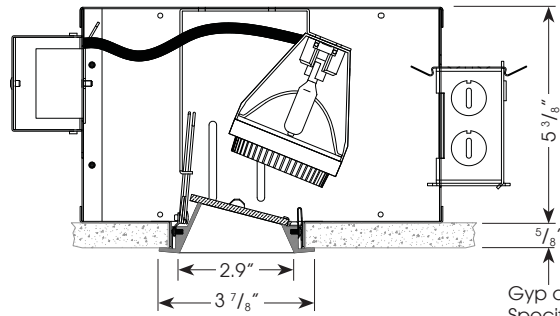
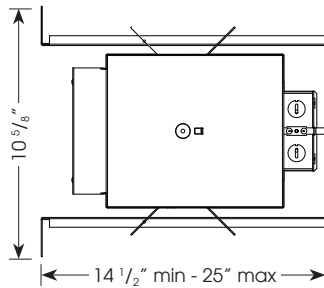
**LABELING:**

cUL listed  
Damp location



PROJECT:

TYPE:



Ceiling Cut Out Dimension:  $3\frac{7}{16}$ " dia.

Gyp ceiling shown. Specify GRID for 1" deep aperture collar.

**ELECTRICAL**

Ballast	Lamping					
	15w		20w		39w	
	Input Watts	Amps*	Input Watts	Amps*	Input Watts	Amps*
Electronic 120v	18	.15	24	.20	45	.40
277v	18	.07	24	.09	45	.16

\*data is for open circuit current  
CMH T4GU6.5 base metal halide, 15w, 20w and 39w  
**Electronic ballast**

**ORDERING INFORMATION:**

Housing						Reflector	
Model	Wattage	Lamp Type	Voltage	Ceiling Mounting	Optic Options	Model	Aperture Finish
E2.9SLW	15	T4GU6.5	120	GB - 5/8" deep collar	GOLD - ferric gold optic reflector	E2.9SLW	Reflector with White Painted Flange
	20		277	GRID - 1" deep collar	DB2690 - DB2690 optic reflector		MBW - matte black
	39			(other, consult factory)			MWW - matte white

Amerlux reserves the right to change details that do not affect overall function and performance.

Complete Unit Specification: E2.9SLW-20-T4GU6.5-120-GB/E2.9SLW-MBW  
Housing Only: E2.9SLW-20-T4GU6.5-120-GB  
Reflector Only: E2.9SLW-MBW

Cat #:

# EVOKE 2.9 SQUARE LENS WALL WASH

**E2.9SLW**  
T4GU6.5



TYPE:



**FIXTURE DATA:** Test run with standard clear reflector. For gold multiply by 0.9  
For 15w data multiply by .75; For 39w data multiply by 2.1

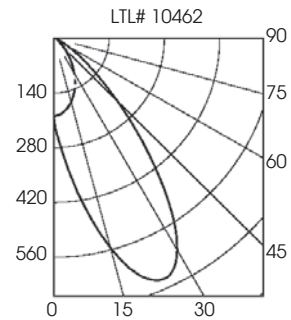
Complete photometric data (ies format) available upon request.

Evoke 2.9" Square Lens Wall Wash  
Lamp: GE CMH20T/U/830/GU6.5 Lamp Lumens: 1615  
Recessed

**ZONAL LUMEN SUMMARY**

Zone	Lumens	%Lamp	%Fixt
0-30	199	12.3	45.3
0-40	311	19.3	70.9
0-60	418	25.9	95.2
0-90	439	27.2	100.0
90-180	0	0.0	0.0
0-180	439	27.2	100.0

**Total Luminaire Efficiency = 27.2%**



**APPLICATION DATA:**

**Footcandles on Wall**

Footcandles are average and rounded off.  
Data for multiple units are based on a minimum of five units.

1.5 Feet From Wall

Distance from ceiling	1.5"			
	1'	2'	3'	4'
1'	20.3	19.2	19.2	20.4
2'	62.4	60.6	60.6	62.7
3'	48.5	48.1	48.4	49.6
4'	28.0	28.4	28.8	29.4
5'	16.2	16.7	17.0	17.3
6'	9.9	10.2	10.5	10.6
7'	6.4	6.6	6.7	6.8
8'	4.3	4.4	4.5	4.6

1.5 Feet From Wall

Distance from ceiling	2"			
	1'	2'	3'	4'
1'	18.6	15.6	12.1	15.6
2'	50.7	46.7	41.7	46.6
3'	37.9	36.6	35.5	36.6
4'	22.6	22.0	21.7	22.0
5'	13.6	13.4	13.3	13.4
6'	8.7	8.6	8.6	8.7
7'	5.8	5.8	5.8	5.8
8'	4.1	4.1	4.1	4.1

2 Feet From Wall

Distance from ceiling	2"			
	1'	2'	3'	4'
1'	5.8	5.6	5.3	5.6
2'	27.2	26.4	25.6	26.4
3'	35.8	34.6	34.5	34.6
4'	27.8	27.2	27.3	27.2
5'	18.9	18.6	18.7	18.6
6'	12.7	12.6	12.6	12.7
7'	8.7	8.7	8.7	8.7
8'	6.2	6.1	6.2	6.1