

# EVOKE 2.9 SQUARE LENS WALL WASH

**E2.9SLW**  
**CMHMR16**

**APPLICATION:**

Commercial and retail wall wash lighting

**HOUSING CONSTRUCTION:**

20 ga. steel painted matte black  
Formed aperture plate with 5/8" lip (GB-standard)  
Integral adjustable locking mounting bars  
Thermally protected  
GX10 TAL pulse rated socket

**REFLECTOR CONSTRUCTION:**

Die-cast aluminum seamless self-flanged trim  
Painted finishes include matte white and optical matte black with matte white flange  
Linear spread lens with etched finish on interior side

**LAMPING:**

CMHMR16, GX10 base, 20w and 39w

**OPTICS:**

Formed steel lamp bracket  
Spun aluminum lamp holder with spring steel lamp retaining clips, snaps in/out for easy re-lamping

**MOUNTING:**

Specify ceiling mounting:  
GRID: 1" deep aperture collar  
GB (Gyp. Board): 5/8" deep aperture collar  
Extra thick ceiling ring available for ceilings over 1" thick, consult factory  
Note: Tilt adjustment reduced to 30° in ceilings 1 1/4" thick

**LABELING:**

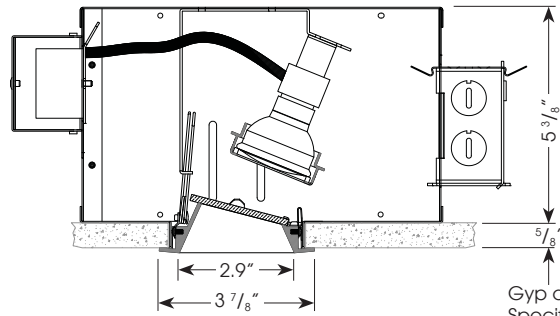
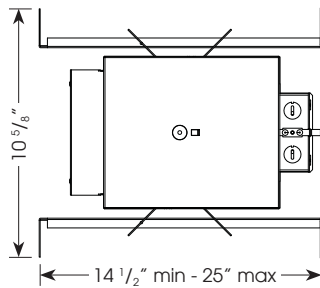
cUL listed  
Damp location



PROJECT:

TYPE:



Ceiling Cut Out Dimension: 3 7/16" dia.

**ELECTRICAL**

Ballast	Input Watts	Lamping		Input Watts	Input Amps*
		20w	39w		
Electronic	120v	24	.20	45	.40
	277v	22	.09	44	.16

\*data is for open circuit current  
CMHMR16, GX10 base metal halide, 20w and 39w  
**Electronic ballast**

**ORDERING INFORMATION:**

Housing Model	Wattage	Lamp Type	Voltage	Ceiling Mounting	Reflector Model	Aperture Finish
E2.9SLW	20	CMHMR16	120	GB - 5/8" deep collar	E2.9SLW	Reflector with White Painted Flange
	39		277	GRID - 1" deep collar		MBW - matte black
				(other, consult factory)		MWW - matte white

Amerlux reserves the right to change details that do not affect overall function and performance.

Complete Unit Specification: E2.9SLW-20-CMHMR16-120-GB/E2.9SLW-MBW  
Housing Only: E2.9SLW-20-CMHMR16-120-GB  
Reflector Only: E2.9SLW-MBW

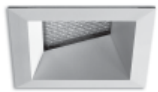
Cat #:

# EVOKE 2.9 SQUARE LENS WALL WASH

**E2.9SLW**  
**CMHMR16**



TYPE:



**FIXTURE DATA:**

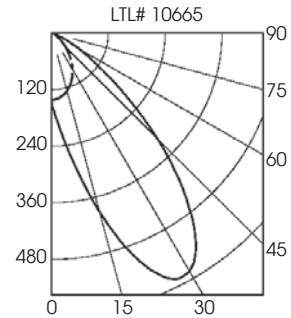
Complete photometric data (ies format) available upon request.

Evoke 2.9" Square Lens Wall Wash  
Lamp: GE CMH20MR16/830/FL Lamp Lumens: 1100  
Recessed

**ZONAL LUMEN SUMMARY**

Zone	Lumens	%Lamp	%Fixt
0-30	157	14.3	37.1
0-40	266	24.2	63.1
0-60	396	36.0	93.7
0-90	422	38.4	100.0
90-180	0	0.0	0.0
0-180	422	38.4	100.0

**Total Luminaire Efficiency = 38.4%**



**APPLICATION DATA:**

Footcandles are average and rounded off.  
Data for multiple units are based on a minimum of five units.

**Footcandles on Wall**

1.5 Feet From Wall

	1.5"				
Distance from ceiling	1'	31.2	29.7	29.7	31.2
	2'	70.8	68.1	68.2	71.3
	3'	43.6	43.4	43.8	44.8
	4'	22.6	23.1	23.5	23.9
	5'	12.3	12.7	12.9	13.2
	6'	7.2	7.4	7.6	7.7
	7'	4.5	4.6	4.7	4.8
	8'	3.0	3.1	3.1	3.2

1.5 Feet From Wall

	2"					
Distance from ceiling	1'	28.7	24.1	18.1	24.1	28.7
	2'	57.1	51.9	47.2	41.9	57.1
	3'	34.4	33.0	32.0	33.0	34.4
	4'	18.5	18.0	17.9	18.0	18.5
	5'	10.5	10.4	10.3	10.4	10.5
	6'	6.5	6.4	6.4	6.4	6.5
	7'	4.2	4.2	4.2	4.2	4.2
	8'	2.9	2.9	2.9	2.9	2.9

2 Feet From Wall

	2"					
Distance from ceiling	1'	9.4	8.9	8.4	8.9	9.4
	2'	37.3	35.7	35.0	35.7	37.3
	3'	37.2	35.9	35.9	35.9	37.2
	4'	25.1	24.5	24.6	24.5	25.1
	5'	15.7	15.5	15.6	15.5	15.7
	6'	10.0	9.9	10.0	9.9	10.0
	7'	6.6	6.6	6.6	6.6	6.6
	8'	4.5	4.5	4.5	4.5	4.5