

EVOKE 2.9 SQUARE LENS WALL WASH

**E2.9SLW
PAR20MH**

APPLICATION:

Commercial and retail wall wash lighting

OPTICS:

Formed steel lamp holder

HOUSING CONSTRUCTION:

20 ga. steel painted matte black
Formed aperture plate with 5/8" lip (GB-standard)
Integral adjustable locking mounting bars
Thermally protected
Medium base pulse rated socket

MOUNTING:

Specify ceiling mounting:
GRID: 1" deep aperture collar
GB (Gyp. Board): 5/8" deep aperture collar
Extra thick ceiling ring available for ceilings over 1" thick, consult factory
Note: Tilt adjustment reduced to 30° in ceilings 1 1/4" thick

REFLECTOR CONSTRUCTION:

Die-cast aluminum seamless self-flanged trim
Painted finishes include matte white and optical matte black with matte white flange
Linear spread lens with etched finish on interior side

LABELING:

cUL listed
Damp location

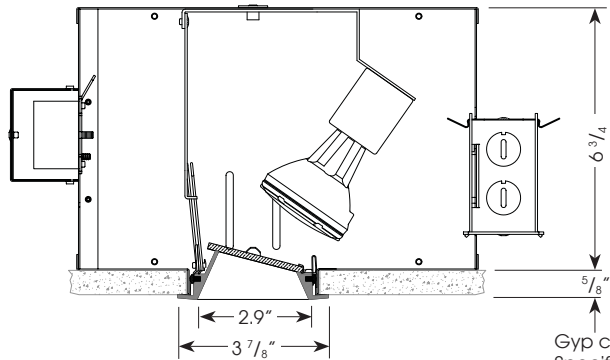
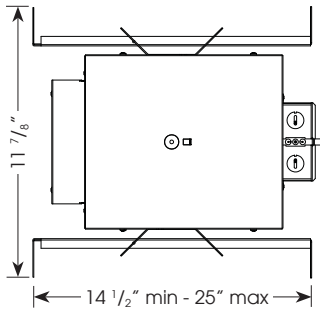
LAMPING:

PAR20MH medium base, 20w and 39w



PROJECT:

TYPE:



Ceiling Cut Out Dimension: 3 7/16" dia.

ELECTRICAL

Ballast	Lamping			
	20w		39w	
	Input Watts	Input Amps*	Input Watts	Input Amps*
Electronic 120v	24	.20	45	.40
277v	22	.09	44	.16

*data is for open circuit current
PAR20MH medium base, 20w and 39w

Electronic ballast

Amerlux reserves the right to change details that do not affect overall function and performance.

ORDERING INFORMATION:

Housing					Reflector	
Model	Wattage	Lamp Type	Voltage	Ceiling Mounting	Model	Aperture Finish
E2.9SLW	20	PAR20MH	120	GB - 5/8" deep collar	E2.9SLW	Reflector with White Painted Flange
	39		277	GRID - 1" deep collar		MBW - matte black
				(other, consult factory)		MWW - matte white

Complete Unit Specification: E2.9SLW-20-PAR20MH-120-GB/E2.9SLW-MBW
Housing Only: E2.9SLW-20-PAR20MH-120-GB
Reflector Only: E2.9SLW-MBW

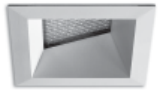
Cat #:

EVOKE 2.9 SQUARE LENS WALL WASH

E2.9SLW
PAR20MH



TYPE:



FIXTURE DATA:

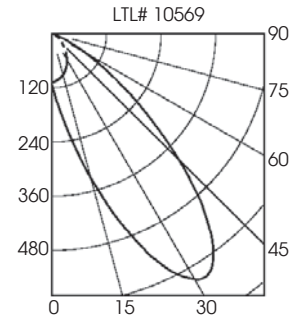
Complete photometric data (ies format) available upon request.

Evoke 2.9" Square Lens Wall Wash
Lamp: Philips CDM35/PAR20/M/FL Lamp Lumens: 2000
Recessed

ZONAL LUMEN SUMMARY

Zone	Lumens	%Lamp	%Fixt
0-30	130	6.5	31.9
0-40	238	11.9	58.1
0-60	380	19.0	92.7
0-90	410	20.5	100.0
90-180	0	0.0	0.0
0-180	410	20.5	100.0

Total Luminaire Efficiency = 20.5%



APPLICATION DATA:

Footcandles are average and rounded off.
Data for multiple units are based on a minimum of five units.

Footcandles on Wall

1.5 Feet From Wall

Distance from ceiling	1.5"			
	1'	2'	3'	4'
1'	39.9	35.0	35.0	39.8
2'	78.3	74.6	74.7	78.7
3'	41.4	41.2	41.5	42.5
4'	19.6	20.0	20.2	20.6
5'	10.1	10.4	10.6	10.8
6'	5.8	6.0	6.1	6.2
7'	3.6	3.7	3.8	3.8
8'	2.3	2.4	2.5	2.5

1.5 Feet From Wall

Distance from ceiling	2"				
	1'	2'	3'	4'	5'
1'	11.8	10.3	8.3	10.3	11.8
2'	36.3	35.2	32.9	35.2	36.3
3'	31.8	31.7	30.7	31.7	31.8
4'	20.6	20.5	20.2	20.5	20.6
5'	12.9	12.7	12.6	12.7	12.9
6'	8.3	8.2	8.1	8.2	8.3
7'	5.5	5.5	5.5	5.5	5.5
8'	3.9	3.9	3.9	3.9	3.9

2 Feet From Wall

Distance from ceiling	2"				
	1'	2'	3'	4'	5'
1'	4.0	3.8	3.5	3.8	4.0
2'	19.2	19.0	18.6	19.0	19.2
3'	27.5	26.9	26.8	26.9	27.5
4'	23.9	23.4	23.4	23.4	23.9
5'	17.4	17.1	17.1	17.1	17.4
6'	12.0	11.8	11.9	11.8	12.0
7'	8.3	8.2	8.3	8.2	8.3
8'	5.9	5.8	5.9	5.8	5.9