

EVOKE 2.9 SQUARE LENS WALL WASH

E2.9SLW
MR16

APPLICATION:

Commercial and retail wall wash lighting

HOUSING CONSTRUCTION:

20 ga. steel painted matte black
Formed aperture plate with $\frac{5}{8}$ " lip (GB-standard)
Integral adjustable locking mounting bars
Thermally protected
Bi-pin base

REFLECTOR CONSTRUCTION:

Die-cast aluminum seamless self-flanged trim
Painted finishes include matte white and optical matte black with matte white flange
Linear spread lens with etched finish on interior side

LAMPING:

MR16 halogen, 50w max., 12v.

OPTICS:

Formed steel lamp bracket
Spun aluminum lamp holder with spring steel lamp retaining clips, snaps in/out for easy re-lamping

MOUNTING:

Specify ceiling mounting:
GRID: 1" deep aperture collar
GB (Gyp. Board): $\frac{5}{8}$ " deep aperture collar
Extra thick ceiling ring available for ceilings over 1" thick, consult factory
Note: Tilt adjustment reduced to 30° in ceilings $1\frac{1}{4}$ " thick

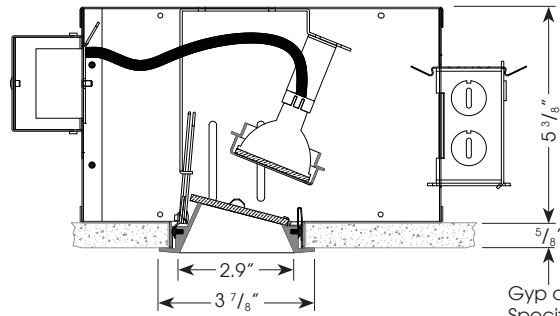
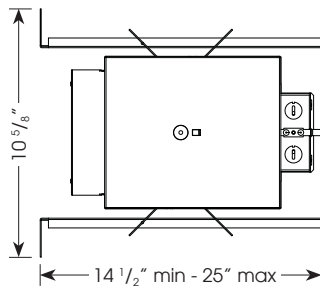
LABELING:

cUL listed
Damp location



PROJECT:

TYPE:



Ceiling Cut Out Dimension: $3\frac{7}{16}$ " dia.

Gyp ceiling shown. Specify GRID for 1" deep aperture collar.

ELECTRICAL

Ballast	Input	Lamping	
		Watts	Amps
Electronic 120v	50	50	.42
	277v	50	.18

MR16 Bi-pin base, 20w max.

Electronic ballast

ORDERING INFORMATION:

Amerlux reserves the right to change details that do not affect overall function and performance.

Housing				Reflector	
Model	Lamp Type	Voltage	Ceiling Mounting	Model	Aperture Finish
E2.9SLW	MR16 (50w max)	120 277	GB - 5/8" deep collar GRID - 1" deep collar _____ (other, consult factory)	E2.9SLW	Reflector with White Painted Flange MBW - matte black MWW - matte white

Complete Unit Specification: E2.9SLW-MR16-120-GB/E2.9SLW-MBW
Housing Only: E2.9SLW-MR16-120-GB
Reflector Only: E2.9SLW-MBW

Cat #:

EVOKE 2.9 SQUARE LENS WALL WASH

E2.9SLW
MR16



TYPE:



FIXTURE DATA:

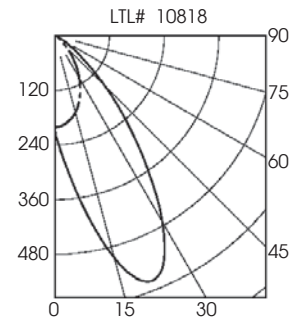
Complete photometric data (ies format) available upon request.

Evoke 2.9" Square Lens Wall Wash
Lamp: GE Q50MR16/HIR/CG40 Lamp Lumens: 1125
Recessed

ZONAL LUMEN SUMMARY

Zone	Lumens	%Lamp	%Fixt
0-30	190	16.9	49.3
0-40	287	25.5	74.3
0-60	371	33.0	96.0
0-90	386	34.3	100.0
90-180	0	0.0	0.0
0-180	386	34.3	100.0

Total Luminaire Efficiency = 34.3%



APPLICATION DATA:

Footcandles are average and rounded off.
Data for multiple units are based on a minimum of five units.

Footcandles on Wall

1.5 Feet From Wall

Distance from ceiling	1.5"			
	1'	2'	3'	4'
1'	12.9	12.8	12.8	12.9
2'	46.4	45.6	45.7	46.7
3'	41.5	41.2	41.5	42.5
4'	26.0	26.2	26.6	27.3
5'	15.3	15.7	16.0	16.4
6'	9.3	9.7	9.9	10.1
7'	6.0	6.2	6.3	6.5
8'	4.0	4.2	4.3	4.3

1.5 Feet From Wall

Distance from ceiling	2"			
	1'	2'	3'	4'
1'	11.8	10.3	8.3	10.3
2'	36.3	35.2	32.9	35.2
3'	31.8	31.7	30.7	31.7
4'	20.6	20.5	20.2	20.5
5'	12.9	12.7	12.6	12.7
6'	8.3	8.2	8.1	8.2
7'	5.5	5.5	5.5	5.5
8'	3.9	3.9	3.9	3.9

2 Feet From Wall

Distance from ceiling	2"			
	1'	2'	3'	4'
1'	4.0	3.8	3.5	3.8
2'	19.2	19.0	18.6	19.0
3'	27.5	26.9	26.8	26.9
4'	23.9	23.4	23.4	23.9
5'	17.4	17.1	17.1	17.4
6'	12.0	11.8	11.9	11.8
7'	8.3	8.2	8.3	8.2
8'	5.9	5.8	5.9	5.8