

NITRO II PLH

2% NITROGEN INFUSED ACRYLIC PENDANT

NIT II
PLH

APPLICATION:

Retail and commercial ambient and display lighting

CONSTRUCTION:

Formed steel housing
Steel twist-in collar accepts diffuser
2G8-1 socket
Powder coat paint, available in over 200 finishes

MOUNTING:

Busway, canopy, c-clamp or stem
Amerlux offers 3/8" stem/canopy in lengths up to 10'
For stem by others, use HUB 1/2" or 3/4" mounting option

LABELING:

cUL listed

OPTICS:

2% Nitrogen infused acrylic prismatic refractor
PL-H high fluorescent lamp



PROJECT :

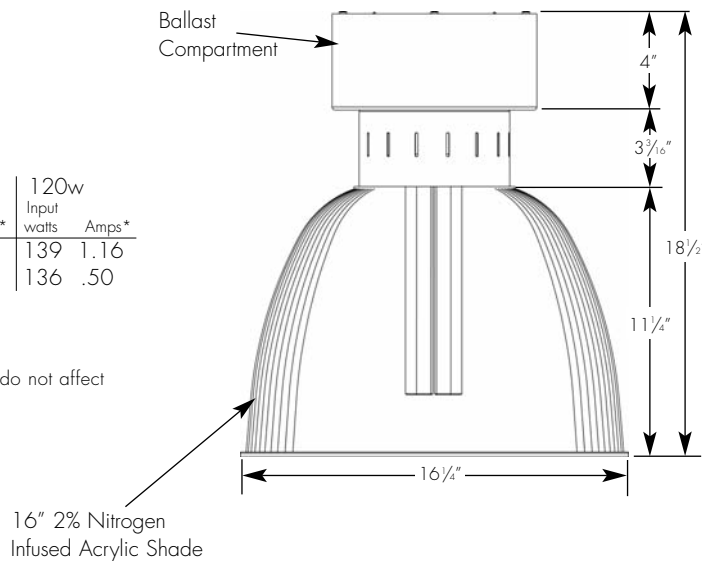
TYPE :

ELECTRICAL

Ballast		Lamping					
		60w		85w		120w	
		Input watts	Amps*	Input watts	Amps*	Input watts	Amps*
Electronic	120v	70	.59	98	.82	139	1.16
	277v	70	.26	97	.36	136	.50

*Data is for open circuit current
PLH 2G8-1 base, 60w, 85w and 120w

Amerlux reserves the right to change details that do not affect overall function and performance.



ORDERING INFORMATION:

Model	Wattage	Lamp Type	Ballast	Finish	Mounting	Voltage
NIT II	60 85 120	PLH	E - electronic	W - white B - black _ - _____ (other RAL)	C - canopy B - busway CCL - C-clamp STEM _____ (specify length) 12" increments, 10' max. (comes w/canopy) HUB 1/2" _____ (specify lead length) (should be 12" longer than stem, for use with 1/2" NPT stem/canopy by others) HUB 3/4" _____ (specify lead length) (should be 12" longer than stem, for use with 3/4" NPT stem/canopy by others)	120/277U

Example: NIT II-85-PLH-E-W-C-120/277U

Cat #:

NITRO II PLH

2% NITROGEN INFUSED ACRYLIC PENDANT

NITRO II
PLH



TYPE:

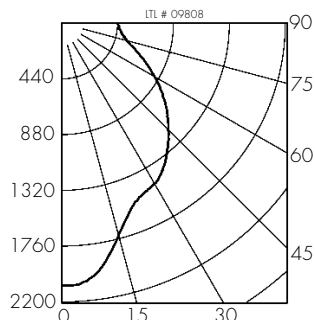


FIXTURE DATA:

120w PLH

s/mh = 1.0

Complete photometric data (.ies format) available upon request.

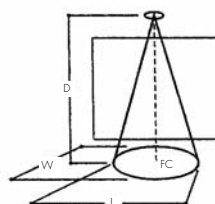


Candelas at Nadir	
Deg	Candela
0	2069
5	2048
15	1732
25	1497
35	1393
45	1185

APPLICATION DATA:

Notes and Definitions:

Beam spread is to 50% center beam candlepower (CBCP).
 D=Distance to floor or wall.
 FC=Footcandles on floor or wall at center beam aiming location.
 L=Effective Visual Beam length in feet (50% of maximum footcandle level).
 W=Effective Visual Beam width in feet (50% of maximum footcandle level).
 CB=Distance across or down to center beam location.



	D	FC	L	W
WIDE FLOOD	7.5'	37	7.8	7.8
	10.0'	21	10.4	10.4
	12.5'	13	13	13
	15.0'	9	15.5	15.5