

CYLINDRIX TRACK WALL WASHER

CYLT-WW
CDM-Tm

APPLICATION:

Retail and commercial wall wash applications

MOUNTING:

Track or busway

CONSTRUCTION:

Die-cast lens holder, lamp and ballast housing
Formed aluminum yoke
PGJ5 pulse rated socket
Integral single pole on/off switch
Powder coat paint

LABELING:

cUL listed



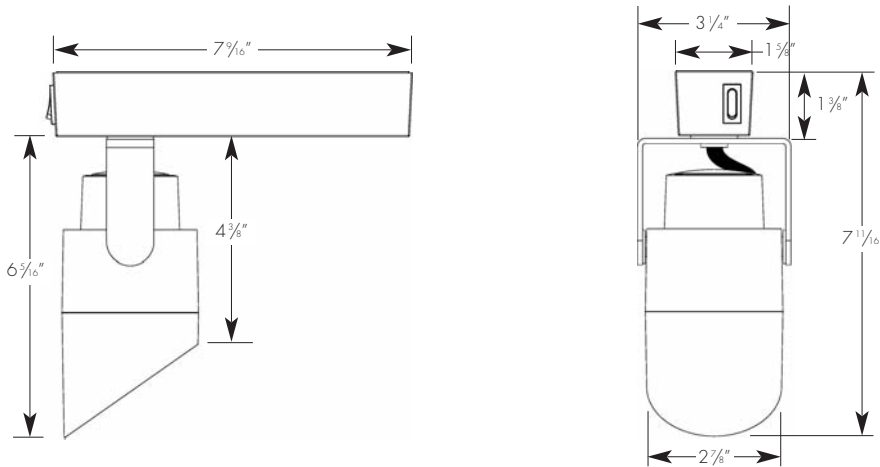
PROJECT:

TYPE:

OPTICS:

0-90° tilt, 360° rotation
Amerlux optics specifically designed for the
CDM-Tm Mini MasterColor® lamp
Textured specular kick reflector
Etched linear spread lens
Available in custom tints to tune beam to provide
incandescent-like hue

ECOTEKTURAL
Architectural lighting for sustainable design.



ELECTRICAL

Ballast	120v	Lamping			
		20w		39w	
		Input watts	Amps*	Input watts	Amps*
Electronic	120v	26	0.23	45	0.40

*Data is for open circuit current

CDM-Tm PGJ5 base metal halide, 20w and 39w

Amerlux reserves the right to change details that do not affect overall function and performance.



ORDERING INFORMATION:

Model	Wattage	Lamp Type	Ballast	Finish	Mounting	Voltage	Beam Spreads	Options/ Accessories
CYLT-WW	20 39	MM - CDM-Tm Mini MasterColor®	E - electronic	WT - white texture BT - black texture ST - silver texture - (other RAL)	TS1 - 1 circuit, Halo compatible TL1 - 1 circuit, Lightolier compatible TJ1 - 1 circuit, Juno compatible B - busway	120	WW - wall wash	GOLD - ferric gold optic reflector DB2690 - DB2690 optic reflector

Example: CYLT-WW-20-MME-WT-TS1-120-WW

Cat #:

CYLINDRIX TRACK

CYLT-WW CDM-Tm



TYPE :

ecOTECTORAL
Architectural lighting for sustainable design.



FIXTURE DATA: Test run with standard clear reflector. For gold, multiply by 0.9
For 39w data, multiply by 1.8

Complete photometric data (.ies format) available upon request.

CYLINDRIX CDM-Tm WALL WASH 20W

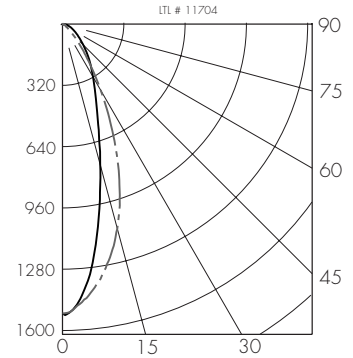
Lamp: Philips CDM-Tm/20/830 Lamp Lumens: 1625

Track Mounting

ZONAL LUMEN SUMMARY

Zone	Lumens	%Lamp	%Fixt
0-30	532	32.7	69.7
0-40	638	39.3	83.6
0-60	728	44.8	95.4
0-90	761	46.9	99.8
90-180	0	0.1	0.0
0-180	763	47.0	100.0

Total Luminaire Efficiency = 47.0%



APPLICATION DATA:

Footcandles are average and rounded off.
Data for multiple units are based on a minimum of five units.

Footcandles on Wall

Distance From Ceiling	0° tilt			10° tilt			15° tilt		
	1'	2'	3'	1'	2'	3'	1'	2'	3'
1'	14.8	15.0	14.8	24.0	24.2	24.0	30.1	30.4	30.1
2'	20.4	20.8	20.4	32.0	32.4	32.0	39.3	39.7	39.3
3'	19.8	20.3	19.8	31.5	32.1	31.5	41.6	42.2	41.6
4'	17.2	17.7	17.2	30.3	31.0	30.3	40.7	41.6	40.7
5'	14.6	15.3	14.6	27.0	28.0	27.0	34.2	35.3	34.2
6'	12.4	13.2	12.4	22.6	23.8	22.6	26.3	27.6	26.3
7'	10.6	11.4	10.6	18.1	19.3	18.2	19.7	21.0	19.8
8'	8.9	9.7	8.9	14.3	15.3	14.3	14.5	15.6	14.5
9'	7.5	8.2	7.5	11.3	12.2	11.3	10.7	11.5	10.7

Distance From Ceiling	15° tilt			30° tilt		
	1'	2'	3'	1'	2'	3'
1'	10.6	10.6	10.5	21.4	21.4	21.3
2'	15.8	15.8	15.6	30.2	30.2	30.0
3'	17.7	17.7	17.5	38.7	38.7	38.5
4'	18.4	18.4	18.2	41.5	41.5	41.3
5'	19.1	19.1	18.7	34.4	34.4	34.0
6'	18.5	18.5	18.1	23.4	23.4	23.0
7'	16.9	16.9	16.4	14.7	14.7	14.3
8'	14.7	14.7	14.1	9.4	9.4	9.0
9'	12.4	12.4	11.7	6.2	6.2	5.8