

CYLINDRIX TRACK WALL WASHER

CYLT-WW
T4GU6.5

APPLICATION

Retail and commercial wall wash applications

MOUNTING:

Track & busway

CONSTRUCTION:

Die-cast lens holder, lamp and ballast housing
Formed aluminum yoke
GU6.5 TAL pulse rated socket
Integral single pole on/off switch
Powder coat paint

LABELING:

cUL listed

LAMPING:

CMH T4GU6.5 base, 15w (SYLVANIA METALARC® POWERBALL®), 20w and 39w

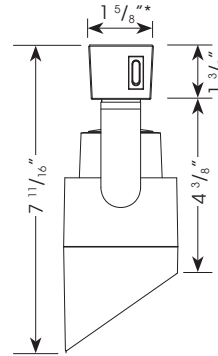
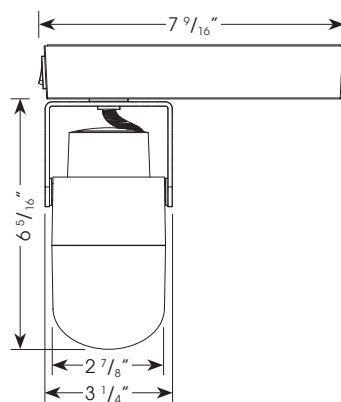


OPTICS:

0-90° tilt, 360° rotation
Amerlux optics specifically designed for the CMH T4GU6.5 lamp
Textured specular kick reflector
Etched linear spread lens
Available in custom tints to tune beam to provide incandescent-like hue

PROJECT:

TYPE:



*2" for 277v units

ELECTRICAL

Ballast	Input Voltage	Lamping					
		15w		20w		39w	
		Watts	Amps*	Watts	Amps*	Watts	Amps*
Electronic	120v	18	.15	24	.20	45	.40
	277v	18	.07	24	.10	45	.20

*data is for open circuit current
CMH T4GU6.5 base metal halide, 15w, 20w and 39

ORDERING INFORMATION:

Amerlux reserves the right to change details that do not affect overall function and performance.

Model	Wattage	Lamp Type	Ballast	Finish	Beam Spread	Voltage	Beam Spread	Options/Accessories
CYLT-WW	15 20 39	T4GU6.5	E - electronic	WT - white texture BT - black texture ST - silver texture NA - natural aluminum (brushed, clear coat) — (other RAL)	TS1 - 1 circuit, Halo compatible TL1 - 1 circuit, Lightolier compatible TJ1 - 1 circuit, Juno compatible TN2 - Global 2cir/2neut, 277v B - busway	120 277	WW - wall wash	GOLD - ferric gold optic reflector DB2690 - DB2690 optic reflector

Example: CYLT-WW-20-T4GU6.5-E-WT-TS1-120-WW

Cat #:

CYLINDRIX TRACK WALL WASHER

CYLT-WW
T4GU6.5

amerlux
GLOBAL LIGHTING SOLUTIONS

TYPE:



FIXTURE DATA: Test run with standard clear reflector. For gold multiply by 0.9
For 15w data multiply by .75; For 39w data multiply by 2.1

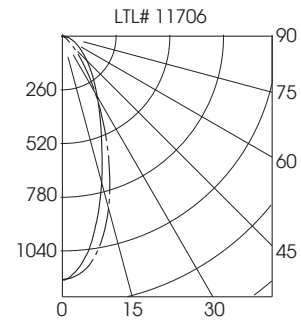
Complete photometric data (ies format) available upon request.

CYLINDRIX T4GU6.5 SURFACE CANOPY WALL WASH 20W
Lamp: GE CMH20T/U830GU6.5 Lamp Lumens: 1615
Canopy Mounting

ZONAL LUMEN SUMMARY

Zone	Lumens	%Lamp	%Fixt
0-30	483	29.9	66.3
0-40	592	36.7	81.2
0-60	690	42.7	94.6
0-90	727	45.0	99.7
90-180	2	0.1	0.3
0-180	729	45.1	100.0

Total Luminaire Efficiency = 45.1%



APPLICATION DATA:

Footcandles are average and rounded off.
Data for multiple units are based on a minimum of five units.

Footcandles on Wall

Mounting Distance	0° tilt	10° tilt	15° tilt	15° tilt	30° tilt
1'	16.8	26.9	33.6	12.0	23.2
2'	22.7	34.2	42.0	17.2	32.1
3'	21.3	33.0	41.6	18.9	37.4
4'	18.3	29.1	36.0	19.1	34.7
5'	15.2	23.9	27.9	18.3	27.0
6'	12.4	18.9	20.8	16.4	19.2
7'	10.2	14.7	15.5	14.1	13.2
8'	8.3	11.4	11.5	11.8	9.1
9'	6.8	8.9	8.7	9.8	6.3