

CYLINDRIX TRACK WALL WASHER

CYLT-WW
CMHMR16

APPLICATION:

Retail and commercial wall wash applications

MOUNTING:

Track or busway

CONSTRUCTION:

Die-cast lamp and ballast housing
Formed aluminum yoke
Electronic ballast
GX10 TAL pulse rated socket
Integral single pole on/off switch
Powder coat paint

LABELING:

cUL listed

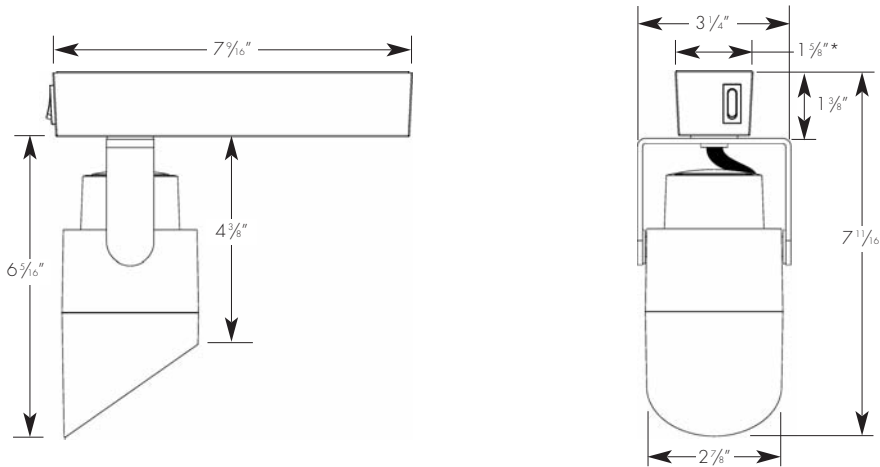
OPTICS:

0-90° tilt, 360° rotation
CMHMR16, GX10 base, 20w and 39w
Textured specular kick reflector
Etched linear spread lens



PROJECT:

TYPE:



ELECTRICAL

Ballast	Input volts	Lamping		Input volts	Amps*
		20w	39w		
Electronic	120v	24	0.2	45	0.4
	277v	24	0.1	45	0.2

*Data is for open circuit current
CMHMR16, GX10 base, 20w and 39w

Amerlux reserves the right to change details that do not affect overall function and performance.

ECOTEKTURAL
Architectural lighting for sustainable design.



ORDERING INFORMATION:

Model	Wattage	Lamp Type	Ballast	Finish	Mounting	Voltage	Beam Spreads
CYLT-WW	20 39	CMHMR16	E - electronic	WT - white texture BT - black texture ST - silver texture - (other RAL)	TS1 - 1 circuit, Halo compatible TL1 - 1 circuit, Lightolier compatible TJ1 - 1 circuit, Juno compatible TN2 - Global 2cir/2neut 277v B - busway	120 277	WW - wall wash

Example: CYLT-WW-20-CMHMR16-E-WT-TS1-120-WW

Cat #: