

# CYLINDRIX TRACK WALL WASHER

CYLT-WW  
PAR20 MH

**APPLICATION:**

Retail and commercial wall wash applications

**MOUNTING:**

Track or busway

**CONSTRUCTION:**

Die-cast lamp and ballast housings  
Formed aluminum yoke  
Electronic ballast  
Medium base pulse rated socket  
Integral single pole on/off switch  
Powder coat paint

**LABELING:**

cUL listed

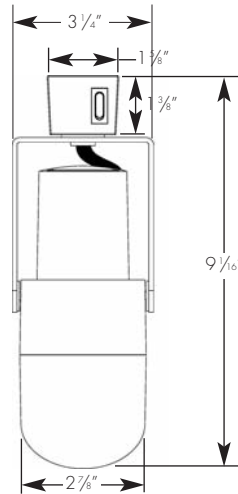
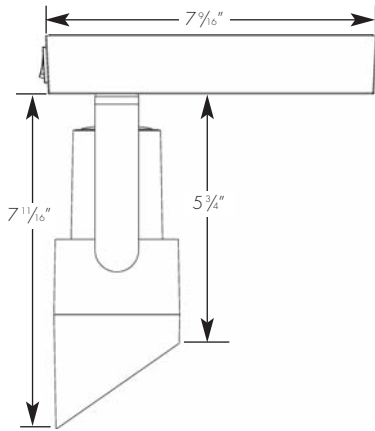
**OPTICS:**

0-90° tilt, 360° rotation  
PAR20 metal halide, 20w and 39w  
Textured specular kick reflector  
Etched linear spread lens



PROJECT:

TYPE:



**ELECTRICAL**

Ballast	Input volts	Lamping		Input volts	Amps*
		20w	39w		
Electronic	120v	24	0.2	46	.37

\*Data is for open circuit current  
PAR20MH medium base, 20w and 39w

Amerlux reserves the right to change details that do not affect overall function and performance.

**ecotectural**  
Architectural lighting for sustainable design.



**ORDERING INFORMATION:**

Model	Wattage	Lamp Type	Ballast	Finish	Mounting	Voltage	Beam Spreads
CYLT-WW	20 39	PAR20MH	E - electronic	WT - white texture BT - black texture ST - silver texture - (other RAL)	TS1 - 1 circuit, Halo compatible TL1 - 1 circuit, Lightolier compatible TJ1 - 1 circuit, Juno compatible B - busway	120	WW - wall wash

Example: CYLT-WW-39-PAR20MHE-BT-TS1-120-WW

Cat #:

# CYLINDRIX TRACK WALL WASHER

CYLT-WW  
PAR20 MH



TYPE :

**ecotECTURAL**  
Architectural lighting for sustainable design.



**FIXTURE DATA:**

Complete photometric data (.ies format) available upon request.

CYLINDRIX PAR20MH WALL WASH 39W

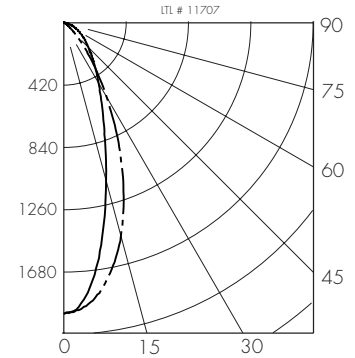
Lamp: Philips CDM35/PAR20/M/SP Lamp Lumens: 2000

Track Mounting

**ZONAL LUMEN SUMMARY**

Zone	Lumens	%Lamp	%Fixt
0-30	763	38.1	68.4
0-40	926	46.3	83.1
0-60	1066	53.3	95.5
0-90	1115	55.8	100.0
90-180	0	0.0	0
0-180	1115	55.8	100.0

**Total Luminaire Efficiency = 55.8%**



**APPLICATION DATA:**

Footcandles are average and rounded off.  
Data for multiple units are based on a minimum of five units.

**Footcandles on Wall**

Distance From Ceiling	2' Spacing			2' Spacing			2' Spacing		
	0° tilt	10° tilt	15° tilt	10° tilt	15° tilt	15° tilt	15° tilt	30° tilt	30° tilt
1'	23.5	37.9	48.7	23.9	47.8	60.1	23.5	31.7	45.4
2'	32.0	47.8	62.3	32.5	48.4	60.8	23.8	45.4	45.2
3'	30.5	47.8	62.3	31.2	48.7	63.3	26.7	56.9	56.5
4'	26.0	44.5	58.0	27.0	45.7	59.3	27.4	57.3	56.9
5'	22.1	38.4	46.9	23.2	40.0	48.5	27.5	46.1	45.5
6'	18.5	31.3	35.5	19.7	33.0	37.3	25.8	31.8	31.1
7'	15.5	24.7	26.4	16.7	26.3	28.1	22.7	20.8	20.1
8'	12.9	19.3	19.5	13.9	20.7	20.9	19.2	13.8	13.2
9'	10.8	15.1	14.4	11.7	16.3	15.5	15.8	9.4	8.8