

EVOKE 2.9 ROUND ADJUSTABLE TRIMLESS

E2.9RATL
CDM-Tm

APPLICATION:

Commercial and retail accent and display lighting

HOUSING CONSTRUCTION:

20 ga. steel painted matte black
Formed aperture plate with 5/8" lip (GB-standard)
Cast aluminum plaster frame with perforated face
Integral adjustable locking mounting bars
Thermally protected
PGJ5 pulse rated socket

REFLECTOR CONSTRUCTION:

Spun aluminum reflector with key slot cut
Variety of anodized aperture finishes
Steel mounting ring with torsion spring

LAMPING:

Philips CDM-Tm Mini MasterColor®, 20w and 39w

OPTICS:

Cam adjustment mechanism provides lockable 0-40° tilt; 360°+ rotation
Die-cast lamp housing, with twist in/out lens holder
Spun faceted and peened optics, specially designed for CDM-Tm lamps
Available in custom tints to tune beam to provide incandescent-like hue

MOUNTING:

For use in sheet rock ceilings
Max. ceiling thickness 1"

LABELING:

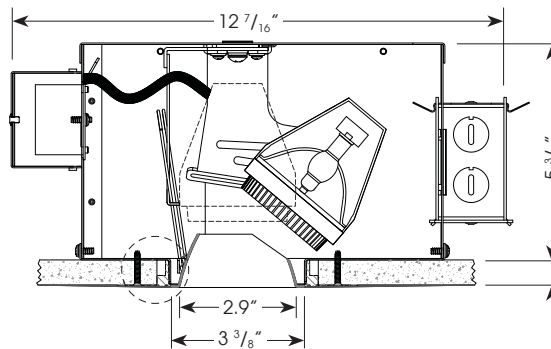
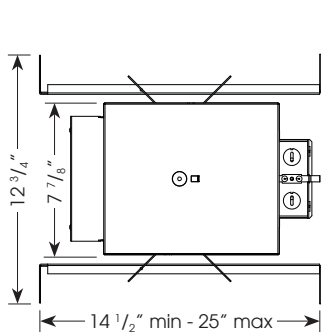


Damp location



PROJECT:

TYPE:

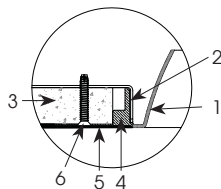


Ceiling Cut Out Dimension: 4 1/16" dia.

ELECTRICAL

Ballast	Voltage	Lamping			
		20w		39w	
		Input Watts	Input Amps*	Input Watts	Input Amps*
Electronic	120v	26	.23	45	.40
	277v	26	.12	45	.20

*data is for open circuit current
CMH CDM-Tm base metal halide, 20w and 39w
Electronic ballast



1. Reflector Trim
2. Fixture Housing Aperture Plate
3. Ceiling 5/8" (1" max)
4. Cast Aluminum Plaster Frame
5. Plaster Skim Coat (by others)
6. 6-32 Type F Thread Cutting Screw

ORDERING INFORMATION:

Housing						Reflector		Accessories Ordered Separately
Model	Wattage	Lamp Type	Voltage	Beam Spread	Optic Options	Model	Aperture Finish	
E2.9RATL	15	MM - Mini	120	CL - spot, 12°	GOLD - ferric gold	E2.9RATL	Reflector with Clear Flange (3/16" flange finish matches cone finish)	HEX20 - hexcell louver
	20	MasterColor	277	NF - narrow flood, 18°	optic reflector		SDC - semi-diffuse	SOL20 - beam softening lens (standard w/NF option)
	39	CDM-Tm		FL - flood, 25°	DB2690 - DB2690		CLC - specular	
				WF - wide flood, 40°	optic reflector		GDC - specular gold	SPR20 - linear spread lens, 5° x 55° (standard w/SL beam spread)
				SL - linear spread, 5° x 55°			BKC - specular black	

Complete Unit Specification: E2.9RATL-20-MM-120-NF/E2.9RATL-SDC
Housing Only: E2.9RATL-20-MM-120-NF
Reflector Only: E2.9RATL-SDC

Cat #:

Accepts up to 2 accessories

Amerlux reserves the right to change details that do not affect overall function and performance.

EVOKE 2.9 ROUND ADJUSTABLE TRIMLESS

E2.9RATL
CDM-Tm



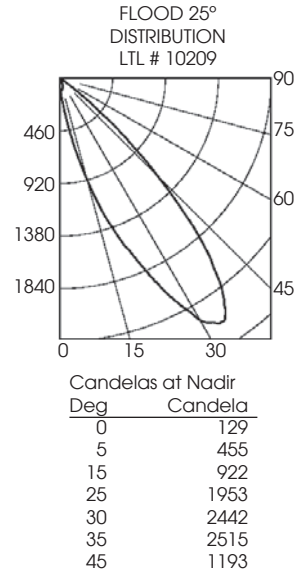
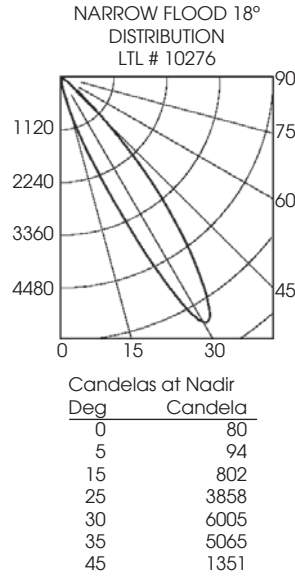
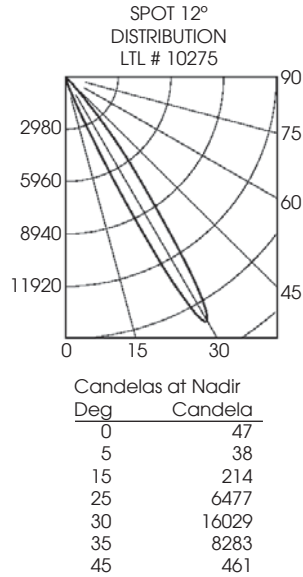
TYPE:



FIXTURE DATA: Test run with standard clear reflector. For gold multiply by 0.9
For 39w data multiply by 1.8

Complete photometric data (ies format) available upon request.

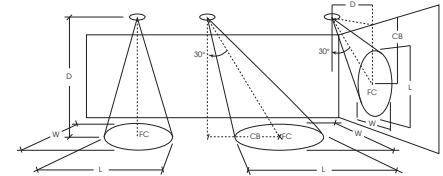
20W CDM-Tm



APPLICATION DATA:

Notes and Definitions:

Beam spread is to 50% center beam candlepower (CBCP).
 D=Distance to floor or wall.
 FC=Footcandles on floor or wall at center beam aiming location.
 L=Effective Visual Beam length in feet (50% of maximum footcandle level).
 W=Effective Visual Beam width in feet (50% of maximum footcandle level).
 CB=Distance across or down to center beam location.



	30° Aiming Angle Horizontal Footcandles					30° Aiming Angle Vertical Footcandles				
	D	FC	L	W	CB	D	FC	L	W	CB
SPOT	5.0'	388	1.2	1.2	3.0	3.0'	233	2.1	1.2	5.0
	7.5'	174	1.9	1.7	4.0	4.0'	122	2.9	1.6	7.0
	10.0'	97	2.4	2.4	6.0	5.0'	83	3.5	1.9	8.0
	12.5'	67	2.8	2.9	7.0	6.0'	58	4.2	2.4	10.0
NARROW FLOOD	5.0'	150	2.0	1.5	3.0	3.0'	105	2.9	1.4	4.0
	7.5'	67	3.0	2.1	4.0	4.0'	58	3.8	1.8	6.0
	10.0'	38	3.9	2.9	6.0	5.0'	38	4.7	2.3	7.0
	12.5'	25	4.8	3.6	7.0	6.0'	26	5.7	2.8	8.0
FLOOD	5.0'	63	3.1	2.4	3.0	3.0'	57	3.0	1.9	4.0
	7.5'	28	4.7	3.7	4.0	4.0'	33	3.8	2.4	5.0
	10.0'	16	6.2	4.9	6.0	5.0'	22	4.6	2.9	6.0
	12.5'	10	7.6	6.0	7.0	6.0'	15	5.5	3.6	7.0