

EVOKE 2.9 ROUND ADJUSTABLE TRIMLESS

E2.9RATL
CMHMR16

APPLICATION:

Commercial and retail accent and display lighting

HOUSING CONSTRUCTION:

20 ga. steel painted matte black
Formed aperture plate with 5/8" lip (GB-standard)
Cast aluminum plaster frame with perforated face
Integral adjustable locking mounting bars
Thermally protected
GX10 TAL pulse rated socket

REFLECTOR CONSTRUCTION:

Spun aluminum reflector with key slot cut
Variety of anodized aperture finishes
Steel mounting ring with torsion spring

LAMPING:

CMHMR16, GX10 base, 20w and 39w

OPTICS:

Cam adjustment mechanism provides lockable 0-40° tilt; 360°+ rotation
Spun aluminum lamp holder, snaps in/out for re-lamping, accepts 1 accessory

MOUNTING:

For use in sheet rock ceilings
Max. ceiling thickness 1"

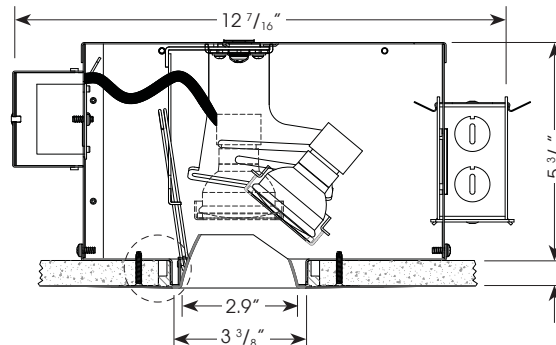
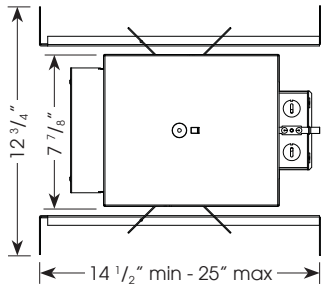
LABELING:

 **UL** **us**
Damp location



PROJECT:

TYPE:

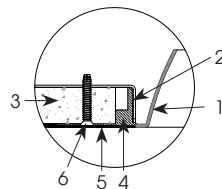


Ceiling Cut Out Dimension: 4 1/16" dia.

ELECTRICAL

Ballast	Voltage	Lamping			
		20w		39w	
		Input Watts	Amps*	Input Watts	Amps*
Electronic	120v	24	.20	45	.40
	277v	22	.09	44	.16

*data is for open circuit current
CMHMR16, GX10 base metal halide, 20w and 39w
Electronic ballast



1. Reflector Trim
2. Fixture Housing Aperture Plate
3. Ceiling 5/8" (1" max)
4. Cast Aluminum Plaster Frame
5. Plaster Skim Coat (by others)
6. 6-32 Type F Thread Cutting Screw

ORDERING INFORMATION:

Housing				Reflector		Accessories Ordered Separately
Model	Wattage	Lamp Type	Voltage	Model	Aperture Finish	
E2.9RATL	20 39	CMHMR16	120 277	E2.9RATL	Reflector with Clear Flange (3/16" flange finish matches cone finish) SDC - semi-diffuse CLC - specular GDC - specular gold BKC - specular black	HEX20 - hexcell louver SOL20 - beam softening lens (standard w/NF option) SPR20 - linear spread lens, 5° x 55° (standard w/SL beam spread)

Complete Unit Specification: E2.9RATL-20-CMHMR16-120/E2.9RATL-SDC
Housing Only: E2.9RATL-20-CMHMR16-120
Reflector Only: E2.9RATL-SDC

Cat #:

Amerlux reserves the right to change details that do not affect overall function and performance.

EVOKE 2.9 ROUND ADJUSTABLE TRIMLESS

E2.9RATL
CMHMR16



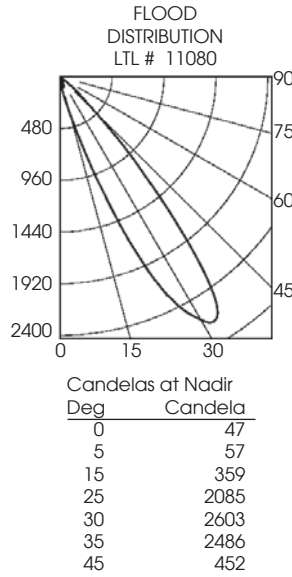
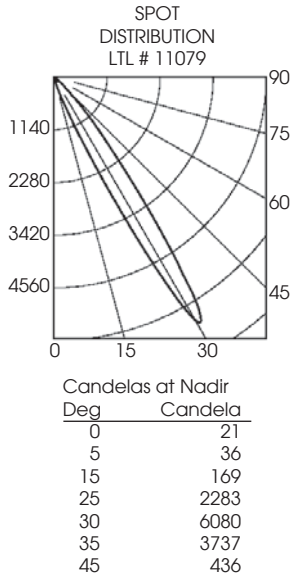
TYPE:



FIXTURE DATA:

Complete photometric data (ies format) available upon request.

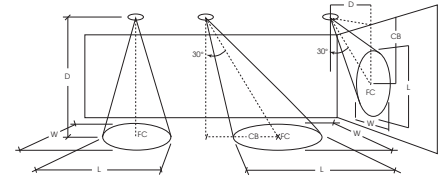
20W CMHMR16



APPLICATION DATA:

Notes and Definitions:

Beam spread is to 50% center beam candlepower (CBCP).
 D=Distance to floor or wall.
 FC=Footcandles on floor or wall at center beam aiming location.
 L=Effective Visual Beam length in feet (50% of maximum footcandle level).
 W=Effective Visual Beam width in feet (50% of maximum footcandle level).
 CB=Distance across or down to center beam location.



	30° Aiming Angle Horizontal Footcandles					30° Aiming Angle Vertical Footcandles				
	D	FC	L	W	CB	D	FC	L	W	CB
SPOT	5.0'	155	1.3	1.3	3.0	3.0'	93	2.1	1.3	5.0
	7.5'	58	2.2	1.9	4.0	4.0'	50	3.0	1.6	6.0
	10.0'	39	2.4	2.5	6.0	5.0'	35	3.5	2.0	8.0
	12.5'	24	3.0	3.2	7.0	6.0'	23	4.3	2.6	10.0
NARROW FLOOD	5.0'	67	2.3	1.7	3.0	3.0'	51	2.6	1.5	4.0
	7.5'	30	3.3	2.5	4.0	4.0'	28	3.6	2.0	6.0
	10.0'	17	4.4	3.3	6.0	5.0'	19	4.3	2.5	7.0
	12.5'	11	5.4	4.1	7.0	6.0'	13	5.3	3.0	8.0