

EVOKE 2.9 ROUND DOWNLIGHT TRIMLESS

E2.9RDTL
PAR20MH

APPLICATION:

Commercial and retail ambient and task lighting

HOUSING CONSTRUCTION:

20 ga. steel painted matte black
Formed aperture plate with 5/8" lip
Cast aluminum plaster frame w/perforated face
Integral adjustable locking mounting bars
Thermally protected
Medium base pulse rated socket
Formed steel lamp holder snaps in/out of reflector trim

REFLECTOR CONSTRUCTION:

Spun aluminum self flanged reflector
Variety of anodized aperture finishes

MOUNTING:

For use in sheet rock ceilings
Max. ceiling thickness 1"

LABELING:



Damp location

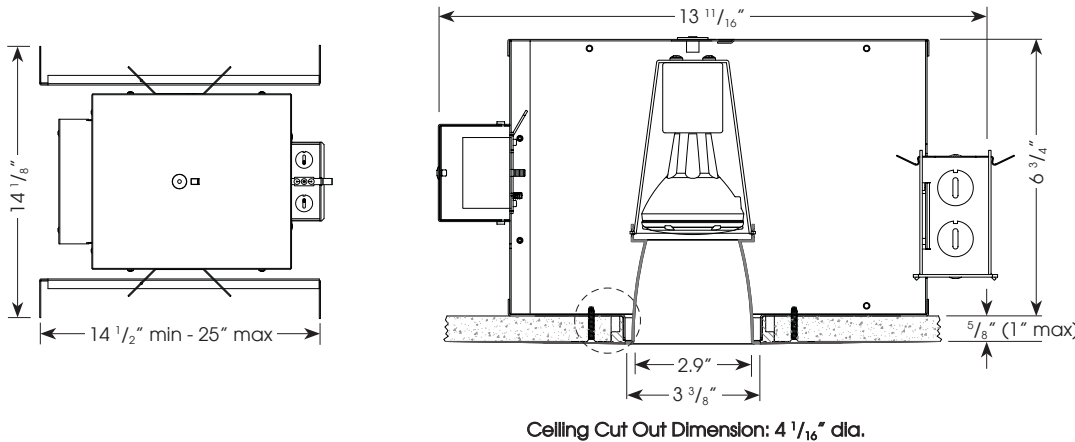
LAMPING:

PAR20MH medium base, 20w and 39w



PROJECT:

TYPE:

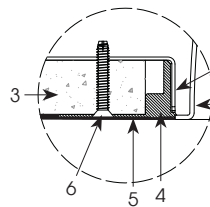


Celling Cut Out Dimension: 4 1/16" dia.

ELECTRICAL

Ballast	Lamping			
	20w		39w	
	Input Watts	Amps*	Input Watts	Amps*
Electronic 120v	24	.20	45	.40
277v	22	.09	44	.16

*data is for open circuit current
PAR20MH medium base, 20w and 39w
Electronic ballast



1. Reflector Trim
2. Fixture Housing Aperture Plate
3. Ceiling 5/8" (1" max)
4. Cast Aluminum Plaster Frame
5. Plaster Skim Coat (by others)
6. 6-32 Type F Thread Cutting Screw

ORDERING INFORMATION:

Housing Model	Wattage	Lamp Type	Voltage	Reflector Model	Aperture Finish	Accessories Ordered Separately
E2.9RDXTL	20	PAR20MH	120	E2.9RDTL	Reflector with Clear Flange (3/16" flange finish matches cone finish)	Consult factory
	39		277		SDC - semi-diffuse CLC - specular GDC - specular gold BKC - specular black	

Complete Unit Specification: E2.9RDXTL-20-PAR20MH-120/E2.9RDTL-SDC
Housing Only: E2.9RDXTL-20-PAR20MH-120
Reflector Only: E2.9RDTL-SDC

Cat #:

Amerlux reserves the right to change details that do not affect overall function and performance.

EVOKE 2.9 ROUND DOWNLIGHT TRIMLESS

E2.9RDTL
PAR20MH



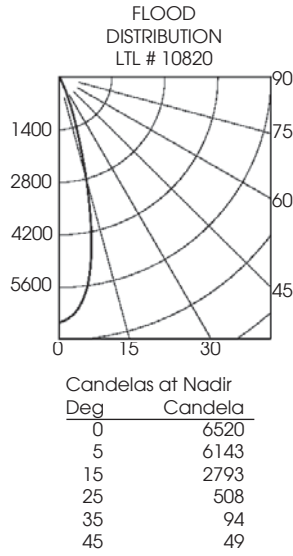
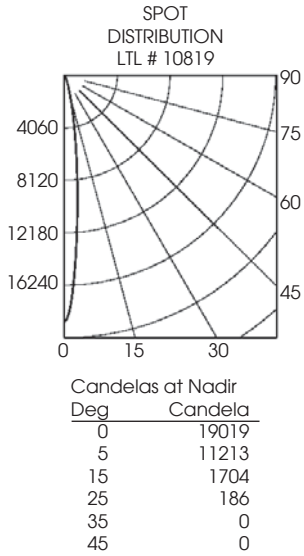
TYPE:



FIXTURE DATA:

Complete photometric data (ies format) available upon request.

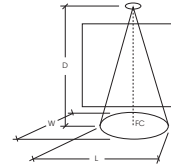
39W PAR20MH



APPLICATION DATA:

Notes and Definitions:

Beam spread is to 50% center beam candlepower (CBCP).
 D=Distance to floor or wall.
 FC=Footcandles on floor or wall at center beam aiming location.
 L=Effective Visual Beam length in feet (50% of maximum footcandle level).
 W=Effective Visual Beam width in feet (50% of maximum footcandle level).
 CB=Distance across or down to center beam location.



0° Aiming Angle
Horizontal
Footcandle

	SPOT			
	D	FC	L	W
	5.0'	761	1.2	1.2
	7.5'	338	1.6	1.6
	10.0'	190	2.1	2.0
	12.5'	122	2.7	2.7
	FLOOD			
	D	FC	L	W
	5.0'	261	2.5	2.5
	7.5'	116	3.5	3.5
	10.0'	65	4.8	4.8
	12.5'	42	5.9	5.9