

EVOKE 2.9" ROUND LENS WALL WASH TRIMLESS

E2.9RLWTL
CDM-Tm

APPLICATION:

Commercial and retail wall wash lighting

HOUSING CONSTRUCTION:

20 ga. steel painted matte black
Formed aperture plate with 5/8" lip (GB-standard)
Cast aluminum plaster frame with perforated face
Integral adjustable locking mounting bars
Thermally protected
PGJ5 pulse rated socket

OPTICS:

Die-cast lamp housing, with twist in/out lens holder
Spun faceted and peened optics, specially designed for the CDM-Tm lamps
Available in custom tints to tune beam to provide incandescent-like hue

MOUNTING:

For use in sheet rock ceilings
Max. ceiling thickness 1"

REFLECTOR CONSTRUCTION:

Spun aluminum reflector with bias cut
Available in a variety of finishes
Integral formed textured kick reflector
Linear spread lens etched on the interior side
Steel mounting ring with torsion spring

LABELING:

 US
Damp location

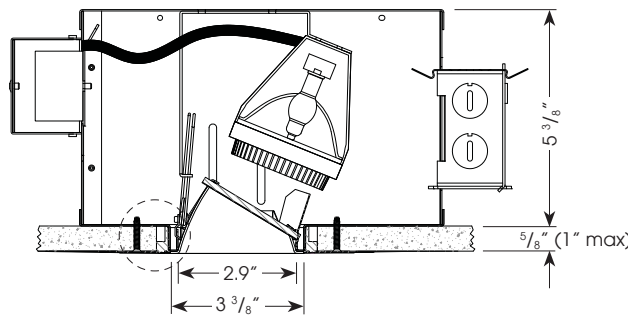
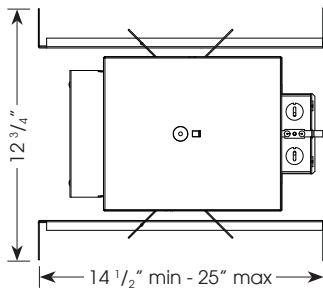
LAMPING:

Philips CDM-Tm Mini MasterColor® PGJ5 base, 20w and 39w



PROJECT:

TYPE:

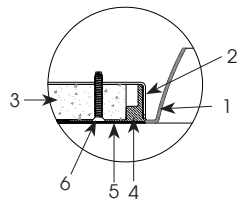


Ceiling Cut Out Dimension: 4 1/16" dia.

ELECTRICAL

Ballast		Lamping			
		20w		39w	
		Input Watts	Input Amps*	Input Watts	Input Amps*
Electronic	120v	26	.23	45	.40
	277v	26	.12	45	.20

*data is for open circuit current
CMH CDM-Tm base metal halide, 20w and 39w
Electronic ballast



1. Reflector Trim
2. Fixture Housing Aperture Plate
3. Ceiling 5/8" (1" max)
4. Cast Aluminum Plaster Frame
5. Plaster Skim Coat (by others)
6. 6-32 Type F Thread Cutting Screw

ORDERING INFORMATION:

Housing				Reflector	
Model	Wattage	Lamp Type	Voltage	Model	Aperture Finish
E2.9RLWTL	20	MM - Mini	120	E2.9RLWTL	Reflector with Clear Flange
	39	MasterColor®	277		(3/16" flange finish matches cone finish)
		CDM-Tm			SDC - semi-diffuse
					CLC - specular
					GDC - specular gold
					BKC - specular black

Complete Unit Specification: E2.9RLWTL-20-MM-120/E2.9RLWTL-SDC
Housing Only: E2.9RLWTL-20-MM-120
Reflector Only: E2.9RLWTL-SDC

Cat #:

Amerlux reserves the right to change details that do not affect overall function and performance.

EVOKE 2.9" ROUND LENS WALL WASH TRIMLESS

E2.9RLWTL
CDM-Tm



TYPE:



FIXTURE DATA: Test run with standard clear reflector. For gold multiply by 0.9
For 39w data multiply by 1.8

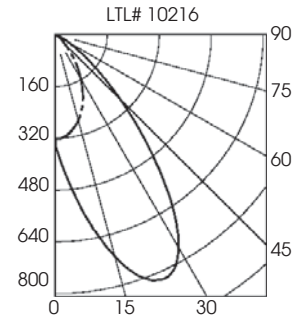
Complete photometric data (ies format) available upon request.

Evoked 2.9" Round Lens Wall Wash
Lamp: Philips CDM-Tm/20w/830 Lamp Lumens: 1625
Recessed

ZONAL LUMEN SUMMARY

Zone	Lumens	%Lamp	%Fixt
0-30	277	17.0	52.0
0-40	414	25.5	77.7
0-60	523	32.2	98.3
0-90	532	32.8	100.0
90-180	0	0.0	0.0
0-180	532	32.8	100.0

Total Luminare Efficiency = 32.8%



APPLICATION DATA:

Footcandles on Wall

Footcandles are average and rounded off.
Data for multiple units are based on a minimum of five units.

1.5 Feet From Wall

Distance from ceiling	1.5"			
	1'	2'	3'	4'
1'	22.8	18.5	18.5	22.7
2'	72.2	67.3	67.3	72.5
3'	57.3	56.7	57.1	58.6
4'	34.5	34.9	35.4	36.1
5'	20.6	21.2	21.7	22.0
6'	12.9	13.4	13.7	13.9
7'	8.5	8.8	9.0	9.2
8'	5.8	6.0	6.2	6.3

1.5 Feet From Wall

Distance from ceiling	2"				
	1'	2'	3'	4'	5'
1'	21.2	15.3	10.7	15.1	21.2
2'	60.4	51.8	44.9	51.7	60.4
3'	45.0	43.1	41.8	43.1	45.0
4'	27.7	27.1	26.8	27.1	27.7
5'	17.3	17.1	17.0	17.1	17.3
6'	11.3	11.3	11.2	11.3	11.3
7'	7.8	7.8	7.8	7.8	7.8
8'	5.5	5.5	5.5	5.5	5.5

2 Feet From Wall

Distance from ceiling	2"				
	1'	2'	3'	4'	5'
1'	6.3	5.3	4.7	5.3	6.3
2'	31.6	28.8	26.9	28.8	31.6
3'	41.3	39.3	38.8	39.3	41.3
4'	32.9	32.1	32.2	32.1	32.9
5'	23.0	22.7	22.8	22.7	23.0
6'	16.0	15.8	15.8	15.8	16.0
7'	11.2	11.2	11.2	11.2	11.2
8'	8.1	8.1	8.1	8.1	8.1