

EVOKE 2.9" ROUND LENS WALL WASH TRIMLESS

E2.9RLWTL
T4GU6.5

APPLICATION:

Commercial and retail wall wash lighting

HOUSING CONSTRUCTION:

20 ga. steel painted matte black
Formed aperture plate with $\frac{5}{8}$ " lip (GB-standard)
Cast aluminum plaster frame with perforated face
Integral adjustable locking mounting bars
Thermally protected
GU6.5 TAL pulse rated socket

REFLECTOR CONSTRUCTION:

Spun aluminum reflector with bias cut
Available in a variety of finishes
Integral formed textured kick reflector
Linear spread lens etched on the interior side
Steel mounting ring with torsion spring

OPTICS:

Die-cast lamp housing, with twist in/out lens holder
Spun faceted and peened optics, specially designed for the T4GU6.5 lamps
Available in custom tints to tune beam to provide incandescent-like hue

MOUNTING:

For use in sheet rock ceilings
Max. ceiling thickness 1"

LABELING:



Damp location

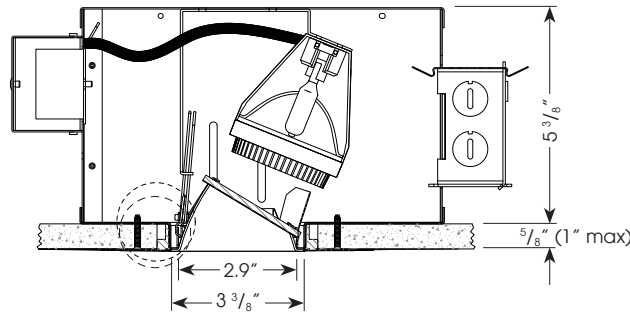
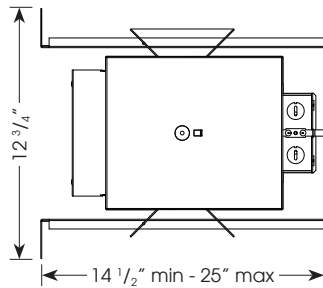
LAMPING:

CMH T4GU6.5 base, 15w (SYLVANIA METALARC® POWERBALL®), 20w and 39w



PROJECT:

TYPE:

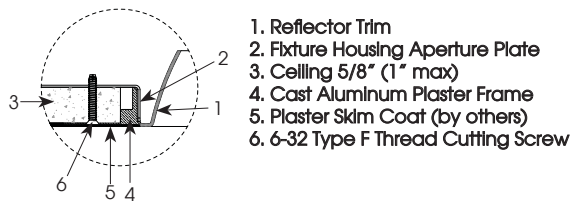


Ceiling Cut Out Dimension: 4 1/16" dia.

ELECTRICAL

Ballast	15w		Lamping 20w		39w	
	Input Watts	Amps*	Input Watts	Amps*	Input Watts	Amps*
Electronic 120v	18	.15	24	.20	45	.40
277v	18	.07	24	.09	45	.16

*data is for open circuit current
CMH T4GU6.5 base metal halide, 15w, 20w and 39w
Electronic ballast



ORDERING INFORMATION:

Housing Model	Wattage	Lamp Type	Voltage	Optic Options	Reflector Model	Aperture Finish
E2.9RLWTL	15	T4GU6.5	120	GOLD - ferric gold optic reflector	E2.9RLWTL	Reflector with Clear Flange (3/16" flange finish matches cone finish)
	20		277	DB2690 - DB2690 optic reflector		SDC - semi-diffuse
	39					CLC - specular
						GDC - specular gold
						BKC - specular black

Complete Unit Specification: E2.9RLWTL-20-T4GU6.5-120/E2.9RLWTL-SDC
Housing Only: E2.9RLWTL-20-T4GU6.5-120
Reflector Only: E2.9RLWTL-SDC

Cat #:

Amerlux reserves the right to change details that do not affect overall function and performance.

EVOKE 2.9" ROUND LENS WALL WASH TRIMLESS

E2.9RLWTL
T4GU6.5



TYPE:



FIXTURE DATA: Test run with standard clear reflector. For gold multiply by 0.9
For 15w data multiply by .75; For 39w data multiply by 2.1

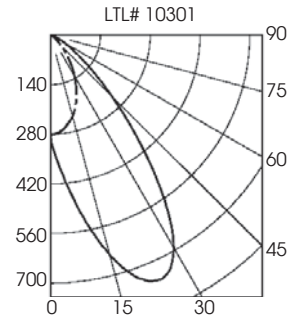
Complete photometric data (ies format) available upon request.

Evoked 2.9" Round Lens Wall Wash Trimless
Lamp: Philips CMH20T/U/830/GU6.5 Lamp Lumens: 1615
Recessed

ZONAL LUMEN SUMMARY

Zone	Lumens	%Lamp	%Fixt
0-30	245	15.1	52.1
0-40	366	22.6	77.8
0-60	461	28.5	98.1
0-90	470	29.1	100.0
90-180	0	0.0	0.0
0-180	470	29.1	100.0

Total Luminaire Efficiency = 29.1%



APPLICATION DATA:

Footcandles are average and rounded off.
Data for multiple units are based on a minimum of five units.

Footcandles on Wall

1.5 Feet From Wall

Distance from ceiling	1.5"			
	1'	2'	3'	4'
1'	21.3	17.7	17.6	21.2
2'	63.6	59.0	59.0	63.8
3'	21.9	51.3	51.6	53.0
4'	31.3	31.5	32.0	32.7
5'	18.6	19.1	19.5	19.8
6'	11.6	12.0	12.2	12.5
7'	7.6	7.8	8.0	8.2
8'	5.2	5.3	5.5	5.6

1.5 Feet From Wall

Distance from ceiling	2"			
	1'	2'	3'	4'
1'	19.8	14.5	10.3	14.5
2'	53.3	45.6	39.1	45.6
3'	40.8	38.9	37.7	38.9
4'	25.0	24.4	24.2	24.4
5'	15.6	15.3	15.2	15.3
6'	10.1	10.1	10.1	10.1
7'	6.9	6.9	6.9	6.9
8'	4.9	4.9	4.9	4.9

2 Feet From Wall

Distance from ceiling	2"			
	1'	2'	3'	4'
1'	6.3	5.3	4.7	5.3
2'	27.0	24.8	23.2	24.7
3'	36.8	35.0	34.5	35.0
4'	25.0	24.4	24.2	24.4
5'	29.7	29.0	29.0	29.7
6'	14.4	14.2	14.2	14.4
7'	10.1	10.0	10.0	10.1
8'	7.2	7.2	7.2	7.2