

EVOKE 2.9" ROUND LENS WALL WASH TRIMLESS

E2.9RLWTL
CMHMR16

APPLICATION:

Commercial and retail wall wash lighting

HOUSING CONSTRUCTION:

20 ga. steel painted matte black
Formed aperture plate with $\frac{3}{8}$ " lip
Cast aluminum plaster frame w/perforated face
Integral adjustable locking mounting bars
Thermally protected
GX10 TAL pulse rated socket

OPTICS:

Spun aluminum lamp holder with spring steel lamp retaining clip, snaps in/out for easy relamping

REFLECTOR CONSTRUCTION:

Spun aluminum reflector with bias cut
Available in a variety of finishes
Integral formed textured kick reflector
Linear spread lens etched on the interior side
Steel mounting ring with torsion spring

MOUNTING:

For use in T-grid or sheet rock ceilings
Max. ceiling thickness - 1"

LABELING:

cUL listed
Damp location

LAMPING:

CMHMR16, GX10 base, 20w and 39w

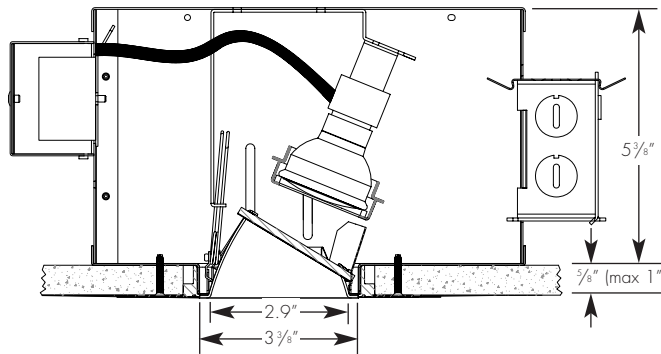
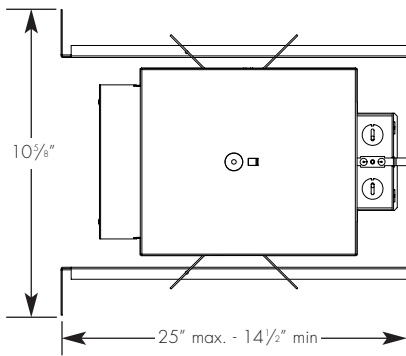


PROJECT:

TYPE:

ECOTEKTURAL

Architectural lighting for sustainable design.



Ceiling cut out dimension: 4 1/16" dia.

ELECTRICAL

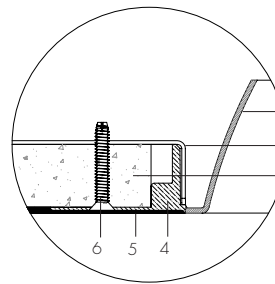
Ballast	Input volts	Lamping		Input volts	Amps*
		20w	39w		
Electronic	120v	24	.20	45	.40
	277v	22	.09	44	.16

*Data is for open circuit current

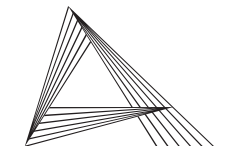
CMHMR16, GX10 base metal halide, 20w and 39w

Electronic ballast

Amerlux reserves the right to change details that do not affect overall function and performance.



1. Reflector Trim
2. Fixture Housing Aperture Plate
3. Ceiling 5/8" (1" Max.)
4. Cast Aluminum Plaster Frame
5. Plaster Skim Coat (By Others)
6. 6-32 Type F Thread Cutting Screw



AMERLUX
LIGHTING SOLUTIONS

ADAPT. ABILITY.™

ORDERING INFORMATION:

HOUSING				REFLECTOR	
Model #	Wattage	Lamp Type	Voltage	Model #	Aperture Finish
E2.9RLWTL	20	CMHMR16	120	E2.9RLWTL	Reflector with Clear Flange
	39		277		(3/16" flange finish matches cone finish)
					SDC - semi-diffused clear
					CLC - specular clear
					GDC - specular gold
					BKC - specular black

Complete Unit Specification: E2.9RLWTL-20-CMHMR16-120/E2.9RLWTL-SDC

Housing Only: E2.9RLWTL-20-CMHMR16-120

Reflector Only: E2.9RLWTL-SDC

Cat #:

EVOKE 2.9" ROUND LENS WALL WASH TRIMLESS

E2.9RLWTL
CMHMR16



TYPE :

ecOTECTORAL
Architectural lighting for sustainable design.



FIXTURE DATA:

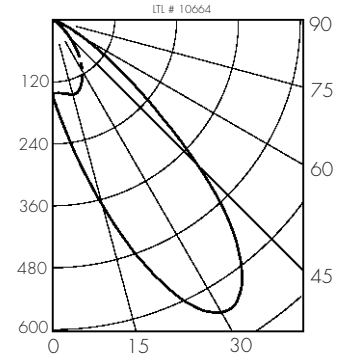
Complete photometric data (.ies format) available upon request.

Evoke 2.9" Round Lens Wall Wash Trimless
Lamp: GE CMH20MR16/830/FL Lamp Lumens: 1100
Recessed

ZONAL LUMEN SUMMARY

Zone	Lumens	%Lamp	%Fixt
0-30	175	15.9	38.6
0-40	305	27.7	67.5
0-60	441	40.1	97.6
0-90	452	41.1	100.0
90-180	0	0.0	0.0
0-180	452	41.1	100.0

Total Luminaire Efficiency = 41.1%



APPLICATION DATA:

Footcandles on Wall

Footcandles are average and rounded off.
Data for multiple units are based on a minimum of five units.

1.5 Feet From Wall

Distance From Ceiling	1.5'			
	1'	2'	3'	4'
1'	32.1	26.7	26.7	32.0
2'	82.7	79.4	79.4	83.1
3'	47.6	47.6	48.0	49.0
4'	23.6	24.2	24.7	25.1
5'	12.5	13.0	13.3	13.6
6'	7.3	7.6	7.8	7.9
7'	4.6	4.7	4.8	4.9
8'	3.0	3.1	3.2	3.2

1.5 Feet From Wall

Distance From Ceiling	2'				
	1'	2'	3'	4'	5'
1'	30.5	22.0	15.1	22.0	30.5
2'	67.5	60.1	54.1	60.0	67.5
3'	37.4	35.9	35.3	35.9	37.4
4'	19.4	18.9	18.8	18.9	19.4
5'	10.9	10.7	10.7	10.7	10.9
6'	6.7	6.6	6.6	6.6	6.7
7'	4.4	4.4	4.4	4.4	4.4
8'	3.0	3.0	3.0	3.0	3.0

2 Feet From Wall

Distance From Ceiling	2'				
	1'	2'	3'	4'	5'
1'	8.8	7.0	5.8	7.0	8.8
2'	43.6	39.3	36.8	39.3	43.6
3'	42.5	41.2	41.3	41.2	42.5
4'	27.3	26.8	27.0	26.8	27.3
5'	16.5	16.4	16.5	16.4	16.5
6'	10.4	10.3	10.4	10.3	10.4
7'	6.8	6.8	6.8	6.8	6.8
8'	4.6	4.7	4.7	4.7	4.6