

EVOKE 2.9" ROUND LENS WALL WASH TRIMLESS

E2.9RLWTL
CMHMR16

APPLICATION:

Commercial and retail wall wash lighting

HOUSING CONSTRUCTION:

20 ga. steel painted matte black
Formed aperture plate with 5/8" lip (GB-standard)
Cast aluminum plaster frame with perforated face
Integral adjustable locking mounting bars
Thermally protected
GX10 TAL pulse rated socket

REFLECTOR CONSTRUCTION:

Spun aluminum reflector with bias cut
Available in a variety of finishes
Integral formed textured kick reflector
Linear spread lens etched on the interior side
Steel mounting ring with torsion spring

OPTICS:

Spun aluminum lamp holder with spring steel lamp retaining clip, snaps in/out for easy re-lamping

MOUNTING:

For use in sheet rock ceilings
Max. ceiling thickness 1"

LABELING:



Damp location

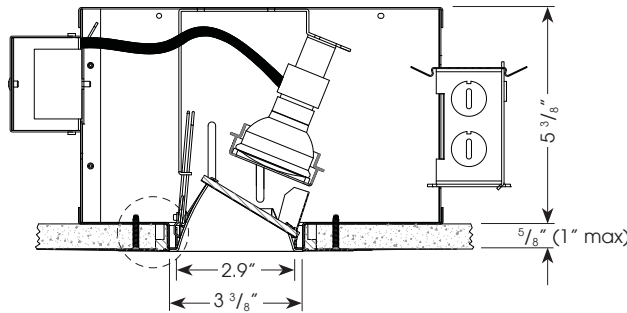
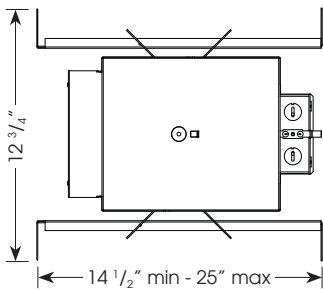
LAMPING:

CMHMR16, GX10 base, 20w and 39w



PROJECT:

TYPE:

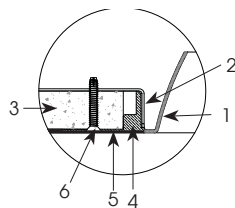


Ceiling Cut Out Dimension: 4 1/16" dia.

ELECTRICAL

Ballast	Lamping			
	20w		39w	
	Input Watts	Input Amps*	Input Watts	Input Amps*
Electronic 120v	24	.20	45	.40
277v	22	.09	44	.16

*data is for open circuit current
CMHMR16, GX10 base metal halide, 20w and 39w
Electronic ballast



1. Reflector Trim
2. Fixture Housing Aperture Plate
3. Ceiling 5/8" (1" max)
4. Cast Aluminum Plaster Frame
5. Plaster Skim Coat (by others)
6. 6-32 Type F Thread Cutting Screw

ORDERING INFORMATION:

Housing Model	Wattage	Lamp Type	Voltage	Reflector Model	Aperture Finish
E2.9RLWTL	20	CMHMR16	120	E2.9RLWTL	Reflector with Clear Flange
	39		277		(3/16" flange finish matches cone finish)
					SDC - semi-diffuse
					CLC - specular
					GDC - specular gold
					BKC - specular black

Complete Unit Specification: E2.9RLWTL-20-CMHMR16-120/E2.9RLWTL-SDC
Housing Only: E2.9RLWTL-20-CMHMR16-120
Reflector Only: E2.9RLWTL-SDC

Cat #:

Amerlux reserves the right to change details that do not affect overall function and performance.

EVOKE 2.9" ROUND LENS WALL WASH TRIMLESS

E2.9RLWTL
CMHMR16



TYPE:



FIXTURE DATA:

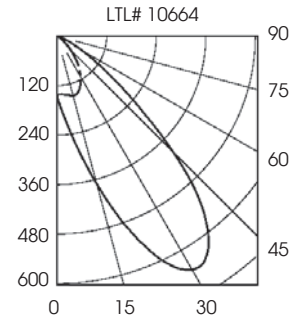
Complete photometric data (ies format) available upon request.

Evoked 2.9" Round Lens Wall Wash
Lamp: GE CMH20MR16/830/FL Lamp Lumens: 1100
Recessed

ZONAL LUMEN SUMMARY

Zone	Lumens	%Lamp	%Fixt
0-30	175	15.9	38.6
0-40	305	27.7	67.5
0-60	441	40.1	97.6
0-90	452	41.1	100.0
90-180	0	0.0	0.0
0-180	452	41.1	100.0

Total Luminaire Efficiency = 41.1%



APPLICATION DATA:

Footcandles are average and rounded off.
Data for multiple units are based on a minimum of five units.

Footcandles on Wall

1.5 Feet From Wall

Distance from ceiling	1.5"			
	1'	2'	3'	4'
1'	32.1	26.7	26.7	32.0
2'	82.7	79.4	79.4	83.1
3'	47.6	47.6	48.0	49.0
4'	23.6	24.2	24.7	25.1
5'	12.5	13.0	13.3	13.6
6'	7.3	7.6	7.8	7.9
7'	4.6	4.7	4.8	4.9
8'	3.0	3.1	3.2	3.2

1.5 Feet From Wall

Distance from ceiling	2"				
	1'	2'	3'	4'	5'
1'	30.5	22.0	15.1	22.0	30.5
2'	67.5	60.1	54.1	60.0	67.5
3'	37.4	35.9	35.3	35.9	37.4
4'	19.4	18.9	18.8	18.9	19.4
5'	10.9	10.7	10.7	10.7	10.9
6'	6.7	6.6	6.6	6.6	6.7
7'	4.4	4.4	4.4	4.4	4.4
8'	3.0	3.0	3.0	3.0	3.0

2 Feet From Wall

Distance from ceiling	2"				
	1'	2'	3'	4'	5'
1'	8.8	7.0	5.8	7.0	8.8
2'	43.6	39.3	36.8	39.3	43.6
3'	42.5	41.2	41.3	41.2	42.5
4'	27.3	26.8	27.0	26.8	27.3
5'	16.5	16.4	16.5	16.4	16.5
6'	10.4	10.3	10.4	10.3	10.4
7'	6.8	6.8	6.8	6.8	6.8
8'	4.6	4.7	4.7	4.7	4.6