

# EVOKE 2.9" ROUND LENS WALL WASH TRIMLESS

**E2.9RLWTL**  
**PAR20MH**

**APPLICATION:**

Commercial and retail wall wash lighting

**HOUSING CONSTRUCTION:**

20 ga. steel painted matte black  
Formed aperture plate with 5/8" lip (GB-standard)  
Cast aluminum plaster frame with perforated face  
Integral adjustable locking mounting bars  
Thermally protected  
Medium base pulse rated socket

**REFLECTOR CONSTRUCTION:**

Spun aluminum reflector with bias cut  
Available in a variety of finishes  
Integral formed textured kick reflector  
Linear spread lens etched on the interior side  
Steel mounting ring with torsion spring

**OPTICS:**

Formed steel lamp holder

**MOUNTING:**

For use in sheet rock ceilings  
Max. ceiling thickness 1"

**LABELING:**



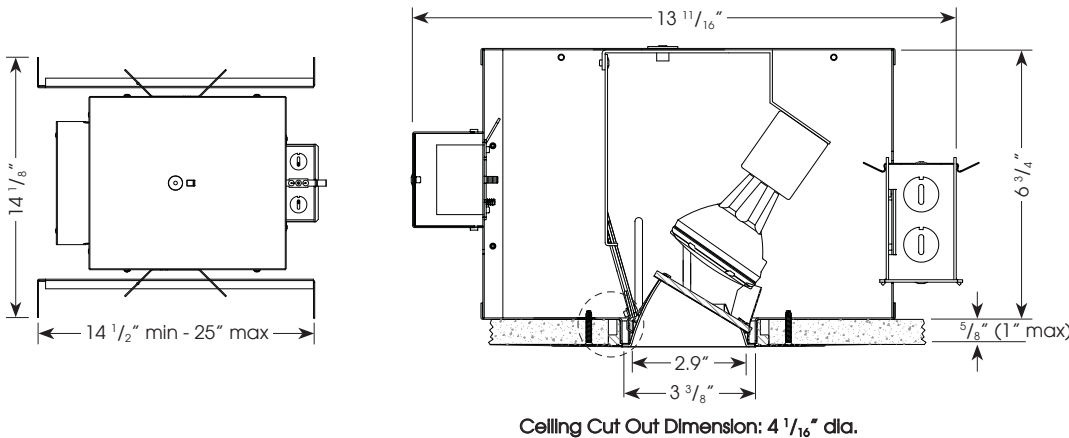
Damp location

**LAMPING:**

PAR20MH medium base, 20w and 39w



PROJECT:  
  
TYPE:

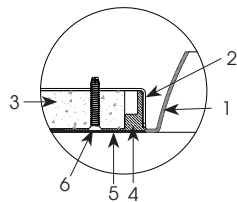


CEILING CUT OUT DIMENSION: 4 1/16" DIA.

**ELECTRICAL**

Ballast	Input Voltage	Lamping			
		20w		39w	
		Input Watts	Amps*	Input Watts	Amps*
Electronic	120v	24	.20	45	.40
	277v	22	.09	44	.16

\*data is for open circuit current  
PAR20MH medium base metal halide, 20w and 39w  
**Electronic ballast**



1. Reflector Trim
2. Fixture Housing Aperture Plate
3. Ceiling 5/8" (1" max)
4. Cast Aluminum Plaster Frame
5. Plaster Skim Coat (by others)
6. 6-32 Type F Thread Cutting Screw

**ORDERING INFORMATION:**

Housing Model	Wattage	Lamp Type	Voltage	Reflector Model	Aperture Finish
E2.9RLWXTL	20	PAR20MH	120	E2.9RLWTL	Reflector with Clear Flange (3/16" flange finish matches cone finish)
	39		277		SDC - semi-diffuse CLC - specular GDC - specular gold BKC - specular black

Complete Unit Specification: E2.9RLWXTL-20-PAR20MH-120/E2.9RLWTL-SDC  
Housing Only: E2.9RLWXTL-20-PAR20MH-120  
Reflector Only: E2.9RLWTL-SDC

Cat #:

Amerlux reserves the right to change details that do not affect overall function and performance.

# EVOKE 2.9" ROUND LENS WALL WASH TRIMLESS

**E2.9RLWTL**  
**PAR20MH**



TYPE:



**FIXTURE DATA:**

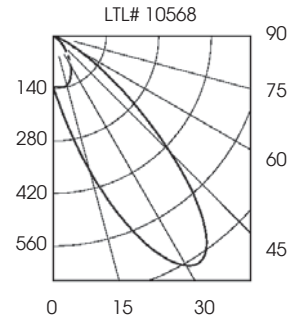
Complete photometric data (ies format) available upon request.

Evoked 2.9" Round Lens Wall Wash  
Lamp: Philips CDM35/PAR20/M/FL Lamp Lumens: 2000  
Recessed

**ZONAL LUMEN SUMMARY**

Zone	Lumens	%Lamp	%Fixt
0-30	164	8.2	37.4
0-40	289	14.5	65.8
0-60	426	21.3	96.8
0-90	440	22.0	100.0
90-180	0	0.0	0.0
0-180	440	22.0	100.0

**Total Luminaire Efficiency = 22.0%**



**APPLICATION DATA:**

Footcandles are average and rounded off.  
Data for multiple units are based on a minimum of five units.

**Footcandles on Wall**

1.5 Feet From Wall

Distance from ceiling	1.5"			
	1'	2'	3'	4'
1'	38.6	31.2	31.2	38.4
2'	87.8	81.7	81.7	88.2
3'	47.7	47.6	47.9	48.9
4'	23.2	23.7	24.1	24.4
5'	12.1	12.6	12.9	13.1
6'	7.0	7.3	7.5	7.6
7'	4.3	4.5	4.6	4.7
8'	2.9	3.0	3.0	3.1

1.5 Feet From Wall

Distance from ceiling	2"			
	1'	2'	3'	4'
1'	37.0	25.8	17.4	25.8
2'	73.5	61.9	54.0	61.8
3'	37.7	35.7	35.1	37.7
4'	18.9	18.3	18.3	18.9
5'	10.4	10.2	10.3	10.4
6'	6.3	6.2	6.3	6.3
7'	4.1	4.1	4.1	4.1
8'	2.8	2.8	2.8	2.8

2 Feet From Wall

Distance from ceiling	2"			
	1'	2'	3'	4'
1'	9.8	8.1	6.9	8.1
2'	47.4	42.0	39.3	42.0
3'	44.4	42.4	42.3	44.4
4'	27.4	26.8	27.0	27.4
5'	16.3	16.1	16.2	16.3
6'	10.0	10.0	10.1	10.0
7'	6.5	6.5	6.6	6.5
8'	4.4	4.4	4.5	4.4