

EVOKE 2.9" ROUND LENS WALL WASH TRIMLESS

E2.9RLWTL
MR16

APPLICATION:

Commercial and retail wall wash lighting

HOUSING CONSTRUCTION:

20 ga. steel painted matte black
Formed aperture plate with 5/8" lip (GB-standard)
Cast aluminum plaster frame with perforated face
Integral adjustable locking mounting bars
Thermally protected
Bi-pin base

REFLECTOR CONSTRUCTION:

Spun aluminum reflector with bias cut
Available in a variety of finishes
Integral formed textured kick reflector
Linear spread lens etched on the interior side
Steel mounting ring with torsion spring

OPTICS:

Spun aluminum lamp holder with spring steel lamp retaining clips, snaps in/out for easy re-lamping

MOUNTING:

For use in sheet rock ceilings
Max. ceiling thickness 1"

LABELING:



Damp location

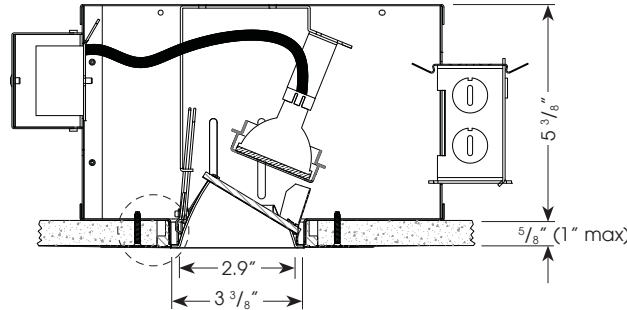
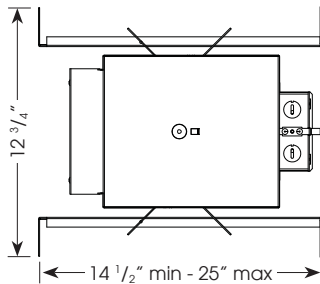
LAMPING:

MR16 halogen, 50w max., 12v.



PROJECT:

TYPE:

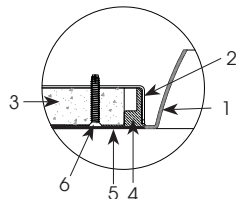


Ceiling Cut Out Dimension: 4 1/16" dia.

ELECTRICAL

Ballast	Input Voltage	Lamping 50w	
		Watts	Amps*
Electronic	120v	50	.42
	277v	50	.18

MR16 Bi-pin base, 50w max.
Electronic ballast



1. Reflector Trim
2. Fixture Housing Aperture Plate
3. Ceiling 5/8" (1" max)
4. Cast Aluminum Plaster Frame
5. Plaster Skim Coat (by others)
6. 6-32 Type F Thread Cutting Screw

ORDERING INFORMATION:

Housing Model	Lamp Type	Voltage	Reflector Model	Aperture Finish
E2.9RLWTL	MR16 (50w max)	120 277	E2.9RLWTL	Reflector with Clear Flange (3/16" flange finish matches cone finish) SDC - semi-diffuse CLC - specular GDC - specular gold BKC - specular black

Complete Unit Specification: E2.9RLWTL-MR16-120/E2.9RLWTL-SDC
Housing Only: E2.9RLWTL-MR16-120
Reflector Only: E2.9RLWTL-SDC

Cat #:

Amerlux reserves the right to change details that do not affect overall function and performance.

EVOKE 2.9" ROUND LENS WALL WASH TRIMLESS

E2.9RLWTL
MR16



TYPE:



FIXTURE DATA:

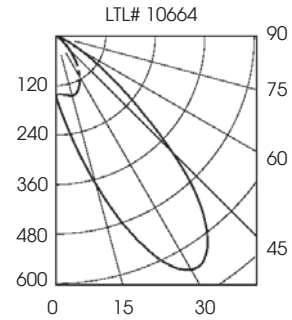
Complete photometric data (ies format) available upon request.

Evolve 2.9" Round Lens Wall Wash
Lamp: GE Q50MR16/HIR/CG40 Lamp Lumens: 1125
Recessed

ZONAL LUMEN SUMMARY

Zone	Lumens	%Lamp	%Fixt
0-30	201	17.8	54.2
0-40	296	26.3	79.9
0-60	364	32.3	98.2
0-90	370	32.9	100.0
90-180	0	0.0	0.0
0-180	370	32.9	100.0

Total Luminare Efficiency = 32.9%



APPLICATION DATA:

Footcandles are average and rounded off.
Data for multiple units are based on a minimum of five units.

Footcandles on Wall

1.5 Feet From Wall

Distance from ceiling	1.5"			
	1'	2'	3'	4'
1'	11.8	9.9	9.9	11.8
2'	43.3	42.6	42.6	43.5
3'	41.3	41.1	41.3	42.2
4'	26.4	26.8	27.1	27.7
5'	15.9	16.3	16.7	17.0
6'	9.8	10.1	10.4	10.6
7'	6.3	6.6	6.7	6.9
8'	4.3	4.4	4.5	4.6

1.5 Feet From Wall

Distance from ceiling	2"				
	1'	2'	3'	4'	5'
1'	10.9	8.0	6.1	7.9	10.9
2'	35.3	32.8	29.5	32.7	35.3
3'	31.6	31.5	30.5	31.5	31.6
4'	20.9	20.8	20.5	20.8	20.9
5'	13.2	13.1	13.0	13.1	13.2
6'	8.6	8.6	8.5	8.6	8.6
7'	5.9	5.8	5.8	5.8	5.9
8'	4.1	4.1	4.1		

2 Feet From Wall

Distance from ceiling	2"				
	1'	2'	3'	4'	5'
1'	3.7	3.0	2.7	3.0	3.7
2'	17.5	16.1	14.9	16.1	17.5
3'	26.1	25.8	25.7	25.8	26.1
4'	23.7	23.3	23.3	23.3	23.7
5'	17.5	17.3	17.3	17.3	17.5
6'	12.3	12.2	12.2	12.2	12.3
7'	8.6	8.6	8.6	8.6	8.6
8'	6.2	6.1	6.2	6.1	6.2