

EVOKE 2.9" ROUND PINHOLE ADJUSTABLE TRIMLESS

E2.9RPATL
CMHMR16

APPLICATION:

Commercial and retail accent and display lighting

HOUSING CONSTRUCTION:

20 ga. steel painted matte black
Formed aperture plate with 5/8" lip (GB-standard)
Cast aluminum plaster frame with perforated face
Integral adjustable locking mounting bars
Thermally protected
GX10 TAL pulse rated socket

REFLECTOR CONSTRUCTION:

Die-cast aluminum faceplate painted matte white
Die-cast knife edge baffle painted matte black
Spring steel mounting clips

LAMPING:

CMHMR16, GX10 base, 20w and 39w

OPTICS:

Cam adjustment mechanism provides lockable 025° tilt; 360°+ rotation
Spun aluminum lamp holder with spring steel retaining clip, snaps in/out for easy relamping

MOUNTING:

For use in sheet rock ceilings
Max. ceiling thickness 1"

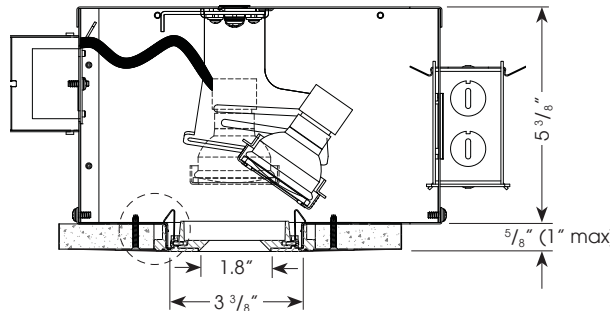
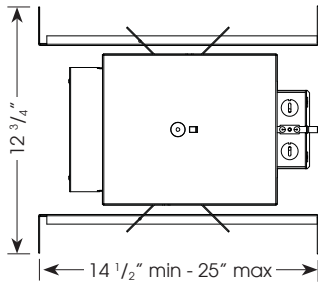
LABELING:

 **UL** us
Damp location



PROJECT:

TYPE:

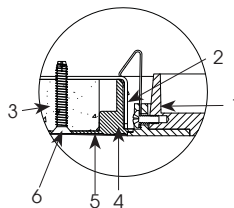


Ceiling Cut Out Dimension: 4 1/16" dia.

ELECTRICAL

Ballast	Voltage	Lamping			
		20w		39w	
		Input Watts	Input Amps*	Input Watts	Input Amps*
Electronic	120v	24	.20	45	.40
	277v	22	.09	44	.16

*data is for open circuit current
CMHMR16, GX10 base metal halide, 20w and 39w
Electronic ballast



1. Reflector Trim
2. Fixture Housing Aperture Plate
3. Ceiling 5/8" (1" max)
4. Cast Aluminum Plaster Frame
5. Plaster Skim Coat (by others)
6. 6-32 Type F Thread Cutting Screw

ORDERING INFORMATION:

Housing				Reflector		Accessories
Model	Wattage	Lamp Type	Voltage	Model	Aperture Finish	Ordered Separately

E2.9RATL	20 39	CMHMR16	120 277	E2.9RPATL	Faceplate with black baffle MW - matte white	HEX16 - hexcell louver SOL16 - beam softening lens SPR16 - linear spread lens, 5° x 55°
----------	----------	---------	------------	-----------	---	--

Complete Unit Specification: E2.9RATL-20-CMHMR16-120/E2.9RPATL-MW
Housing Only: E2.9RATL-20-CMHMR16-120
Reflector Only: E2.9RPATL-MW

Cat #:

Amerlux reserves the right to change details that do not affect overall function and performance.