

EVOKE 2.9" SQUARE LENS WALL WASH TRIMLESS

E2.9SLWTL
CDM-Tm

APPLICATION:

Commercial and retail wall wash lighting

HOUSING CONSTRUCTION:

20 ga. steel painted matte black
Formed aperture plate with $\frac{3}{8}$ " lip
Integral adjustable locking mounting bars
Thermally protected
PGJ5 pulse rated socket

OPTICS:

Die-cast lamp housing, with twist in/out lens holder
Spun faceted and beveled optics, specially designed for CDM-Tm lamps
Available in custom tints to tune beam to provide incandescent-like hue

REFLECTOR CONSTRUCTION:

Die-cast aluminum seamless trim
Painted finishes include matte white and optical matte black
Linear spread lens with etched finish on interior side

MOUNTING:

For use in T-grid or sheet rock ceilings
Max. ceiling thickness - 1"

LABELING:

cUL listed
Damp location

LAMPING:

Philips CDM-Tm Mini MasterColor PGJ5 base, 20w and 39w

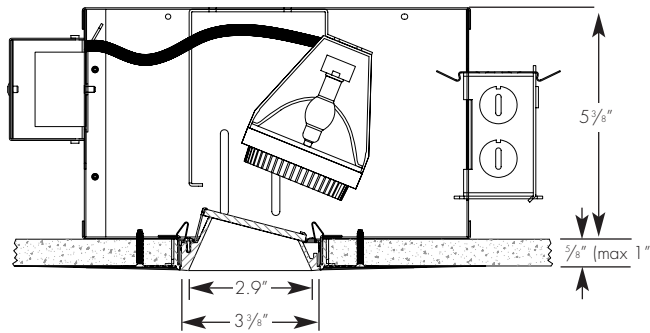
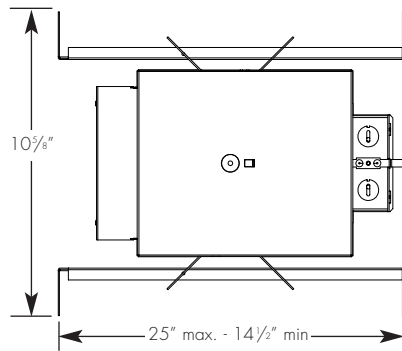


PROJECT :

TYPE :

ECOTEKTURAL

Architectural lighting for sustainable design.



Ceiling cut out dimension: $4\frac{1}{16}$ " sq.

ELECTRICAL

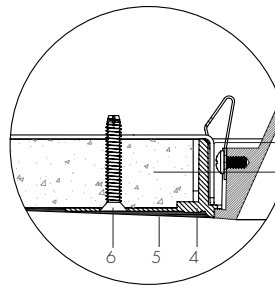
Ballast	Lamping			
	20w		39w	
	Input watts	Amps*	Input watts	Amps*
Electronic 120v	26	.23	45	.40
277v	26	.12	45	.20

*Data is for open circuit current

CDM-Tm PGJ5 base metal halide, 20w and 39w

Electronic ballast only

Amerlux reserves the right to change details that do not affect overall function and performance.



1. Reflector Trim
2. Fixture Housing Aperture Plate
3. Ceiling $5/8$ " (1" Max.)
4. Cast Aluminum Plaster Frame
5. Plaster Skim Coat (By Others)
6. 6-32 Type F Thread Cutting Screw

AMERLUX
LIGHTING SOLUTIONS
ADAPT. ABILITY.™

ORDERING INFORMATION:

HOUSING					REFLECTOR	
Model #	Wattage	Lamp Type	Voltage	Optic Options	Model #	Aperture Finish
E2.9SLWTL	20	MM - Mini MasterColor	120	GOLD - ferric gold	E2.9SLWTL	Reflector (with $\frac{3}{16}$ " flange)
	39	CDM-Tm	277	DB2690 - DB2690 optic		MB - matte black
						MW - matte white

Complete Unit Specification: E2.9SLWTL-20-MM-120/E2.9SLW-MW

Housing Only: E2.9SLWTL-20-MM-120

Reflector Only: E2.9SLWTL-MW

Cat #:

EVOKE 2.9" SQUARE LENS WALL WASH TRIMLESS

E 2.9 S L W T L
CDM-Tm



TYPE :

ecOTECTORAL
Architectural lighting for sustainable design.



FIXTURE DATA: Test run with standard clear reflector. For gold, multiply by 0.9
For 39w data, multiply by 1.8

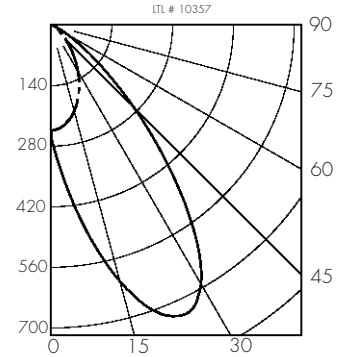
Complete photometric data (.ies format) available upon request.

Evoke 2.9" Square Lens Wall Wash Trimless
Lamp: Philips CDM-Tm/20w/830 Lamp Lumens: 1625
Recessed

ZONAL LUMEN SUMMARY

Zone	Lumens	%Lamp	%Fixt
0-30	226	13.9	45.2
0-40	353	21.7	70.5
0-60	477	29.4	95.3
0-90	500	30.8	100.0
90-180	0	0.0	0.0
0-180	500	30.8	100.0

Total Luminaire Efficiency = 30.8%



APPLICATION DATA:

Footcandles on Wall

Footcandles are average and rounded off.
Data for multiple units are based on a minimum of five units.

1.5 Feet From Wall

Distance From Ceiling	1.5' Spacing			
	1'	2'	3'	4'
1'	22.5	21.2	21.2	22.5
2'	71.0	68.6	68.6	71.4
3'	52.9	52.5	52.8	54.1
4'	30.4	30.8	31.3	31.9
5'	17.7	18.2	18.6	18.9
6'	10.9	11.3	11.5	11.7
7'	7.1	7.3	7.5	7.6
8'	4.8	5.0	5.1	5.2

1.5 Feet From Wall

Distance From Ceiling	2' Spacing				
	1'	2'	3'	4'	5'
1'	20.7	17.5	13.0	17.3	20.7
2'	57.9	52.7	47.0	52.7	57.9
3'	41.6	39.9	38.7	39.9	41.6
4'	24.6	24.0	23.7	24.0	24.6
5'	15.0	14.7	14.6	14.7	15.0
6'	9.6	9.5	9.5	9.5	9.6
7'	6.5	6.5	6.5	6.5	6.5
8'	4.6	4.6	4.6	4.6	4.6

2 Feet From Wall

Distance From Ceiling	2' Spacing				
	1'	2'	3'	4'	5'
1'	5.8	5.6	5.3	5.6	5.8
2'	31.7	30.6	29.9	30.6	31.7
3'	39.9	38.6	38.5	38.6	39.9
4'	30.4	29.7	29.8	29.7	30.4
5'	20.5	20.2	20.3	20.2	20.5
6'	13.9	13.7	13.8	13.7	13.9
7'	9.6	9.5	9.6	9.5	9.6
8'	6.8	6.8	6.8	6.8	6.8