

EVOKE 2.9 SQUARE LENS WALL WASH TRIMLESS

E2.9SLWTL
T4GU6.5

APPLICATION:

Commercial and retail wall wash lighting

HOUSING CONSTRUCTION:

20 ga. steel painted matte black
Formed aperture plate with 5/8" lip (GB-standard)
Cast aluminum plaster frame w/perforated face
Integral adjustable locking mounting bars
Thermally protected
GU6.5 TAL pulse rated socket

REFLECTOR CONSTRUCTION:

Die-cast aluminum seamless trim
Painted finishes include matte white and optical matte black
Linear spread lens with etched finish on interior side

LAMPING:

CMH T4GU6.5 base, 15w (SYLVANIA METALARC® POWERBALL®), 20w and 39w

OPTICS:

Die-cast lamp housing, with twist in/out lens holder
Spun faceted and peened optics, specially designed for the T4GU6.5 lamps
Available in custom tints to tune beam to provide incandescent-like hue

MOUNTING:

For use in Tgrid or sheet rock ceilings
Max. ceiling thickness - 1"

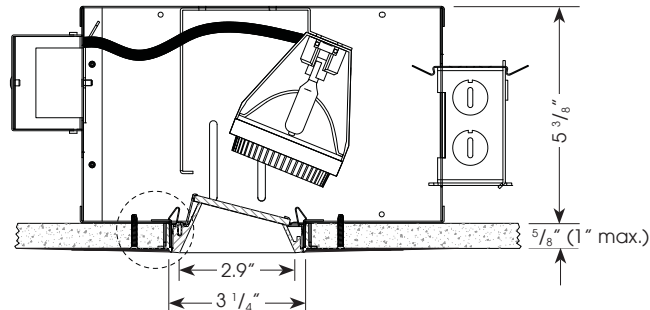
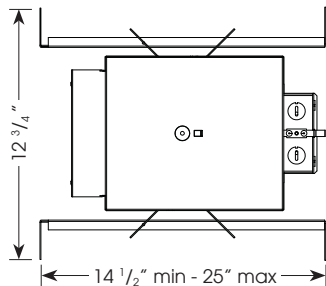
LABELING:

cUL listed
Damp location



PROJECT:

TYPE:



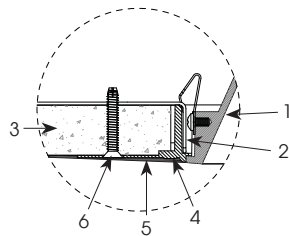
Ceiling Cut Out Dimension: 4 1/16" sq.

ELECTRICAL

Ballast	15w		Lamping 20w		39w	
	Input Watts	Amps*	Input Watts	Amps*	Input Watts	Amps*
Electronic 120v	18	.15	24	.20	45	.40
277v	18	.07	24	.09	45	.16

*data is for open circuit current
CMH T4GU6.5 base metal halide, 15w, 20w and 39w

Electronic ballast



1. Reflector Trim
2. Fixture Housing Aperture Plate
3. Ceiling 5/8" (1" max)
4. Cast Aluminum Plaster Frame
5. Plaster Skim Coat (by others)
6. 6-32 Type F Thread Cutting Screw

ORDERING INFORMATION:

Amerlux reserves the right to change details that do not affect overall function and performance.

Housing Model	Wattage	Lamp Type	Voltage	Optic Options	Reflector Model	Aperture Finish
E2.9SLWTL	15	T4GU6.5	120	GOLD - ferric gold optic reflector	E2.9SLWTL	Reflector (with 3/16" flange)
	20		277	DB2690 - DB2690 optic reflector		MB - matte black
	39					MW - matte white

Complete Unit Specification: E2.9SLWTL-20-T4GU6.5-120/E2.9SLWTL-MB
Housing Only: E2.9SLWTL-20-T4GU6.5-120
Reflector Only: E2.9SLWTL-MB

Cat #:

EVOKE 2.9 SQUARE LENS WALL WASH TRIMLESS

E2.9SLWTL
T4GU6.5



TYPE:



FIXTURE DATA: Test run with standard clear reflector. For gold multiply by 0.9
For 15w data multiply by .75; For 39w data multiply by 2.1

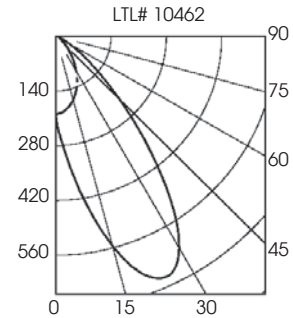
Complete photometric data (ies format) available upon request.

Evoke 2.9" Square Lens Wall Wash
Lamp: Philips CMH20T/U/830/GU6.5 Lamp Lumens: 1615
Recessed

ZONAL LUMEN SUMMARY

Zone	Lumens	%Lamp	%Fixt
0-30	199	12.3	45.3
0-40	311	19.3	70.9
0-60	418	25.9	95.2
0-90	439	27.2	100.0
90-180	0	0.0	0.0
0-180	439	27.2	100.0

Total Luminaire Efficiency = 27.2%



APPLICATION DATA:

Footcandles on Wall

Footcandles are average and rounded off.
Data for multiple units are based on a minimum of five units.

1.5 Feet From Wall

Distance from ceiling	1.5"			
	1'	2'	3'	4'
1'	20.3	19.2	19.2	20.4
2'	62.4	60.6	60.6	62.7
3'	48.5	48.1	48.4	49.6
4'	28.0	28.4	28.8	29.4
5'	16.2	16.7	17.0	17.3
6'	9.9	10.2	10.5	10.6
7'	6.4	6.6	6.7	6.8
8'	4.3	4.4	4.5	4.6

1.5 Feet From Wall

Distance from ceiling	2"			
	1'	2'	3'	4'
1'	18.6	15.6	12.1	15.6
2'	50.7	46.7	41.7	46.6
3'	37.9	36.6	35.5	36.6
4'	22.6	22.0	21.7	22.0
5'	13.6	13.4	13.3	13.4
6'	8.7	8.6	8.6	8.7
7'	5.8	5.8	5.8	5.8
8'	4.1	4.1	4.1	4.1

2 Feet From Wall

Distance from ceiling	2"			
	1'	2'	3'	4'
1'	5.8	5.6	5.3	5.6
2'	27.2	26.4	25.6	26.4
3'	35.8	34.6	34.5	34.6
4'	27.8	27.2	27.3	27.2
5'	18.9	18.6	18.7	18.6
6'	12.7	12.6	12.6	12.7
7'	8.7	8.7	8.7	8.7
8'	6.2	6.1	6.2	6.1