

# EVOKE 2.9" SQUARE LENS WALL WASH TRIMLESS

E2.9SLWTL  
MR16

## APPLICATION:

Commercial and retail wall wash lighting

## HOUSING CONSTRUCTION:

20 ga. steel painted matte black  
Formed aperture plate with  $\frac{3}{8}$ " lip  
Cast aluminum plaster frame w/perforated face  
Integral adjustable locking mounting bars  
Thermally protected  
Bi-Pin base

## OPTICS:

Formed steel lamp bracket  
Spun aluminum lamp holder with spring steel lamp retaining clips, snaps in/out for easy re-lamping

## REFLECTOR CONSTRUCTION:

Die-cast aluminum seamless trim  
Painted finishes include matte white and optical matte black  
Linear spread lens with etched finish on interior side

## MOUNTING:

For use in T-grid or sheet rock ceilings  
Max. ceiling thickness - 1"

## LABELING:

cUL listed  
Damp location

## LAMPING:

MR16 halogen, 50w max., 12v.

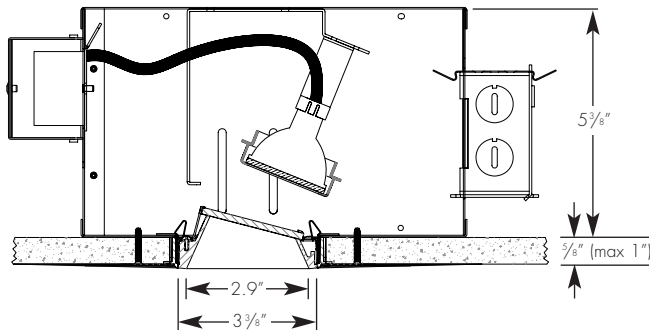
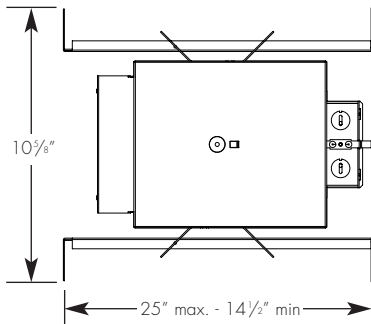


PROJECT:

TYPE:

**ECOTEKTURAL**

Architectural lighting for sustainable design.



Ceiling cut out dimension: 4 1/8" sq.

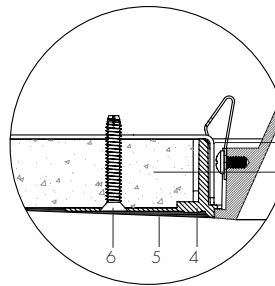
## ELECTRICAL

Ballast	Input volts	Lamping 50w	
		Input watts	Amps
Electronic 120v	50	50	.42
277v	50	50	.18

MR16 Bi-Pin base, 50w max.

### Electronic ballast

Amerlux reserves the right to change details that do not affect overall function and performance.



1. Reflector Trim
2. Fixture Housing Aperture Plate
3. Ceiling 5/8" (1" Max.)
4. Cast Aluminum Plaster Frame
5. Plaster Skim Coat (By Others)
6. 6-32 Type F Thread Cutting Screw



## ORDERING INFORMATION:

HOUSING			REFLECTOR	
Model #	Lamp Type	Voltage	Model #	Aperture Finish
E2.9SLWTL	MR16 (50w max)	120 277	E2.9SLWTL	Reflector (with 3/16" flange) MB - matte black MW - matte white

Complete Unit Specification: E2.9SLWTL-MR16-120/E2.9SLW-MW

Housing Only: E2.9SLWTL-MR16-120

Reflector Only: E2.9SLWTL-MW

Cat #:

# EVOKE 2.9" SQUARE LENS WALL WASH TRIMLESS

E 2.9 SLWTL  
MR16



TYPE :

**ecOTECTURAL**  
Architectural lighting for sustainable design.



## FIXTURE DATA:

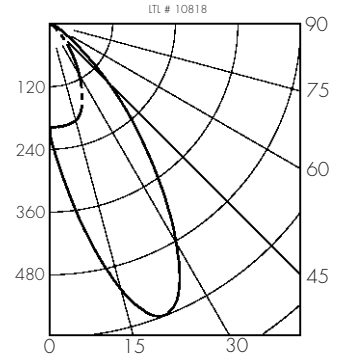
Complete photometric data (.ies format) available upon request.

Evoked 2.9" Square Lens Wall Wash Trimless  
Lamp: GE Q50MR16/HIR/CG40 Lamp Lumens: 1125  
Recessed

## ZONAL LUMEN SUMMARY

Zone	Lumens	%Lamp	%Fixt
0-30	190	16.9	49.3
0-40	287	25.5	74.3
0-60	371	33.0	96.0
0-90	386	34.3	100.0
90-180	0	0.0	0.0
0-180	386	34.3	100.0

**Total Luminaire Efficiency = 34.3%**



## APPLICATION DATA:

### Footcandles on Wall

Footcandles are average and rounded off.  
Data for multiple units are based on a minimum of five units.

1.5 Feet From Wall

Distance From Ceiling	1'	2'	3'	4'
1'	12.9	12.8	12.8	12.9
2'	46.4	45.6	45.7	46.7
3'	41.5	41.2	41.5	42.5
4'	26.0	26.2	26.6	27.3
5'	15.3	15.7	16.0	16.4
6'	9.3	9.7	9.9	10.1
7'	6.0	6.2	6.3	6.5
8'	4.0	4.2	4.3	4.3

1.5 Feet From Wall

Distance From Ceiling	1'	2'	3'	4'	5'
1'	11.8	10.3	8.3	10.3	11.8
2'	36.3	35.2	32.9	35.2	36.3
3'	31.8	31.7	30.7	31.7	31.8
4'	20.6	20.5	20.2	20.5	20.6
5'	12.9	12.7	12.6	12.7	12.9
6'	8.3	8.2	8.1	8.2	8.3
7'	5.5	5.5	5.5	5.5	5.5
8'	3.9	3.9	3.9	3.9	3.9

2 Feet From Wall

Distance From Ceiling	1'	2'	3'	4'	5'
1'	4.0	3.8	3.5	3.8	4.0
2'	19.2	19.0	18.6	19.0	19.2
3'	27.5	26.9	26.8	26.9	27.5
4'	23.9	23.4	23.4	23.4	23.9
5'	17.4	17.1	17.1	17.1	17.4
6'	12.0	11.8	11.9	11.8	12.0
7'	8.3	8.2	8.3	8.2	8.3
8'	5.9	5.8	5.9	5.8	5.9