

# CYLINDRIX SURFACE CANOPY WALL WASHER

CYLSC-WW  
CDM-Tm

**APPLICATION:**

Retail and commercial wall wash applications

**MOUNTING:**

Canopy attaches to 4" octagonal junction box

**CONSTRUCTION:**

Die-cast lens holder and lamp housing  
Formed aluminum ballast housing and yoke  
PGJ5 pulse rated socket  
Integral single pole on/off switch  
Powder coat paint

**LABELING:**

cUL listed

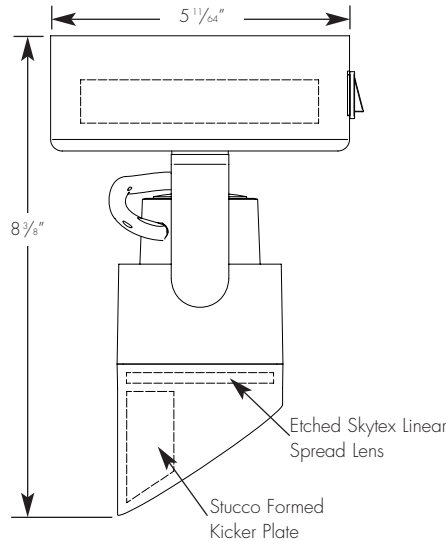
**OPTICS:**

0-90° tilt, 360° rotation  
Amerlux optics specifically designed for the  
CDM-Tm Mini MasterColor® lamp  
Textured specular kick reflector  
Etched linear spread lens  
Available in custom tints to tune beam to provide  
incandescent-like hue



PROJECT:  
  
TYPE:

**ecotectural**  
Architectural lighting for sustainable design.



**ELECTRICAL**

Ballast	Voltage	Lamping			
		20w		39w	
		Input watts	Amps*	Input watts	Amps*
Electronic	120v	26	0.23	45	0.40
	277v	26	0.12	45	0.20

\*Data is for open circuit current  
CDM-Tm PGJ5 base metal halide, 20w and 39w

Amerlux reserves the right to change details that do not affect overall function and performance.



**ORDERING INFORMATION:**

Model	Wattage	Lamp Type	Ballast	Finish	Voltage	Beam Spreads	Options/ Accessories
CYLSC-WW	20 39	MM - CDM-Tm Mini MasterColor®	E - electronic	WT - white texture BT - black texture ST - silver texture - [other RAL]	120 277	WW - wall wash	GOLD - ferric gold optic reflector DB2690 - 2690° K custom tint

Example: CYLSC-WW-20-MM-E-WT-120-WW

Cat #:

# CYLINDRIX SURFACE CANOPY WALL WASHER

CYLSC-WW  
CDM-Tm



TYPE :

**ecOTECTORAL**  
Architectural lighting for sustainable design.



**FIXTURE DATA:** Test run with standard clear reflector. For gold, multiply by 0.9  
For 39w data, multiply by 1.8

Complete photometric data (.ies format) available upon request.

## CYLINDRIX CDM-Tm SURFACE CANOPY WALL WASH 20W

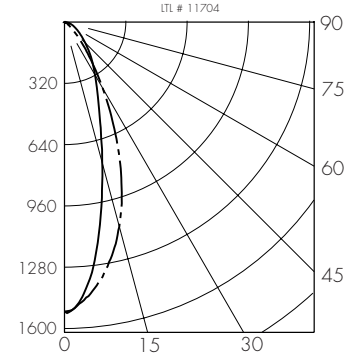
Lamp: Philips CDM-Tm/20/830 Lamp Lumens: 1625

Canopy Mounting

### ZONAL LUMEN SUMMARY

Zone	Lumens	%Lamp	%Fixt
0-30	532	32.7	69.7
0-40	638	39.3	83.6
0-60	728	44.8	95.4
0-90	761	46.9	99.8
90-180	0	0.1	0.0
0-180	763	47.0	100.0

**Total Luminaire Efficiency = 47.0%**



### APPLICATION DATA:

Footcandles are average and rounded off.  
Data for multiple units are based on a minimum of five units.

#### Footcandles on Wall

Distance From Ceiling	2' Spacing			2' Spacing			2' Spacing		
	0° tilt	10° tilt	15° tilt	10° tilt	15° tilt	15° tilt	15° tilt	30° tilt	
1'	14.8	24.0	30.1	15.0	24.2	30.4	10.6	21.4	
2'	20.4	32.0	39.3	20.8	32.4	39.7	15.8	30.2	
3'	19.8	31.5	41.6	20.3	32.1	42.2	17.7	38.7	
4'	17.2	30.3	40.7	17.7	31.0	41.6	18.4	41.5	
5'	14.6	27.0	34.2	15.3	28.0	35.3	19.1	34.4	
6'	12.4	22.6	26.3	13.2	23.8	27.6	18.5	23.4	
7'	10.6	18.1	19.7	11.4	19.3	21.0	16.9	14.7	
8'	8.9	14.3	14.5	9.7	15.3	15.6	14.7	9.4	
9'	7.5	11.3	10.7	8.2	12.2	11.5	12.4	6.2	