

CYLINDRIX SURFACE CANOPY

CYLSC
T4GU6.5

APPLICATION

Accent and display lighting for Retail, Commercial and Hospitality environments

CONSTRUCTION:

Die-cast lens holder and lamp housing
Formed aluminum ballast housing and yoke
GU6.5 TAL pulse rated socket
Integral single pole on/off switch
Powder coat paint

OPTICS:

0-90° tilt, 360° rotation
Amerlux optics specifically designed for the CMH T4GU6.5 lamp
Available in custom tints to tune beam to provide incandescent-like hue

MOUNTING:

Canopy attaches to 4" octagonal junction box

LABELING:

cUL listed

ACCESSORIES:

Snoot: Spun aluminum 1/2" length standard
Painted finish
Cross Blade: Stamped steel painted black
Cross blade sits in snoot which must be ordered when using cross blade

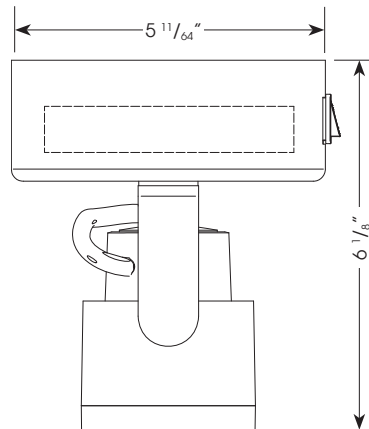
LAMPING:

CMH T4GU6.5 base, 15w (SYLVANIA METALARC® POWERBALL®), 20w and 39w



PROJECT:

TYPE:



ELECTRICAL

| Ballast | Input Volts | Lamping | | | | | |
|------------|----------------|---------|-------|-------|-------|-------|-------|
| | | 15w | | 20w | | 39w | |
| | | Watts | Amps* | Watts | Amps* | Watts | Amps* |
| Electronic | 120v | 18 | .15 | 24 | .20 | 45 | .40 |
| | 277v | 18 | .07 | 24 | .10 | 45 | .20 |

*data is for open circuit current
CMH T4GU6.5 base metal halide, 15w, 20w and 39

ORDERING INFORMATION:

Amerlux reserves the right to change details that do not affect overall function and performance.

| Model | Wattage | Lamp Type | Ballast | Finish | Voltage | Beam Spread | Options/Accessories |
|-------|----------------|-----------|----------------|--|------------|--|---|
| CYLSC | 15 20 39 | T4GU6.5 | E - electronic | WT - white texture BT - black texture ST - silver texture — (other RAL) | 120 277 | CL - spot, 12° NF - narrow flood, 18° FL - flood, 25° FL-UBP - flood ultra brite polish, 25° WF - wide flood, 40° SL - linear spread lens, 5° x 55° | GOLD - ferric gold optic reflector DB2690 - DB2690 optic reflector HEX - hexcell louver, SN - snoot (1/2" length standard), specify color (WT, BT, ST) CB - cross blade, specify color (BT), black standard |

Example: CYLSC-20-T4GU6.5-E-WT-120-FL

Cat #:

CYLINDRIX SURFACE CANOPY

CYLSC
T4GU6.5



TYPE:

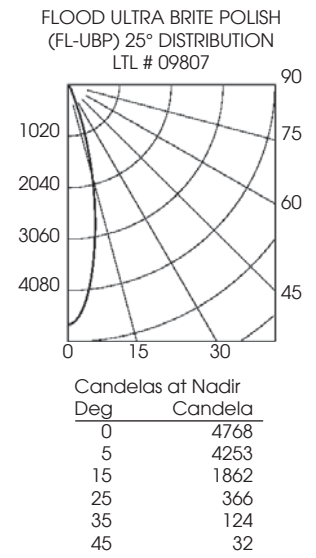
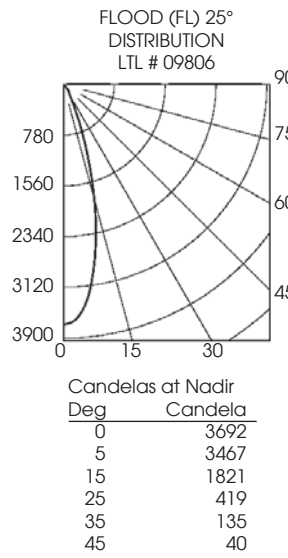
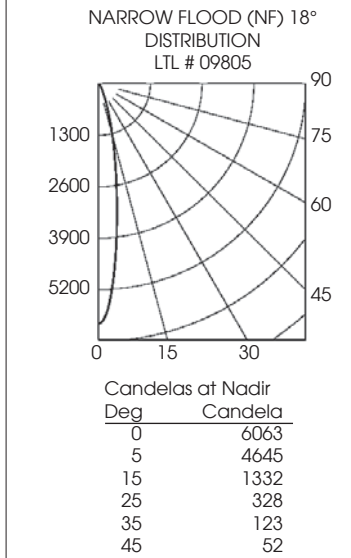
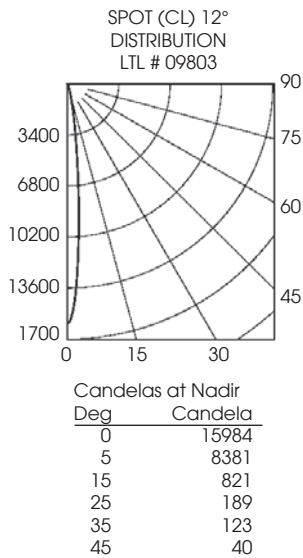


FIXTURE DATA: Test run with standard clear reflector. For gold multiply by 0.9
For 15w data multiply by .75; For 39w data multiply by 2.1

Complete photometric data (ies format) available upon request.

Note: Data is for 1 lamp

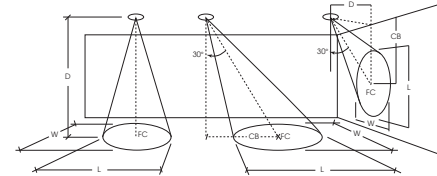
20W T4GU6.5 MH



APPLICATION DATA:

Notes and Definitions:

Beam spread is to 50% center beam candlepower (CBCP).
D=Distance to floor or wall.
FC=Footcandles on floor or wall at center beam aiming location.
L=Effective Visual Beam length in feet (50% of maximum footcandle level).
W=Effective Visual Beam width in feet (50% of maximum footcandle level).
CB=Distance across or down to center beam location.



| | 0° Aiming Angle Horizontal Footcandles | | | | 30° Aiming Angle Horizontal Footcandles | | | | | 30° Aiming Angle Vertical Footcandles | | | | | 60° Aiming Angle Vertical Footcandles | | | | |
|--------------|--|-----|-----|-----|---|-----|-----|-----|-----|---|-----|-----|-----|-----|---|------|-----|-----|-----|
| | D | FC | L | W | D | FC | L | W | CB | D | FC | L | W | CB | D | FC | L | W | CB |
| SPOT | 5.0' | 609 | 1.1 | 1.1 | 5.0' | 373 | 1.2 | 1.1 | 3.0 | 3.0' | 223 | 2.1 | 1.1 | 4.8 | 3.0' | 1082 | 0.7 | 0.6 | 1.8 |
| | 7.5' | 271 | 1.4 | 1.4 | 7.5' | 168 | 2.0 | 1.6 | 4.0 | 4.0' | 124 | 2.8 | 1.5 | 6.7 | 4.0' | 619 | 0.9 | 0.8 | 2.2 |
| | 10.0' | 152 | 1.8 | 1.8 | 10.0' | 93 | 2.6 | 2.3 | 6.0 | 5.0' | 81 | 3.5 | 1.8 | 8.2 | 5.0' | 392 | 1.3 | 1.1 | 2.7 |
| | 12.5' | 97 | 2.4 | 2.4 | 12.5' | 63 | 3.2 | 2.8 | 7.0 | 6.0' | 56 | 4.2 | 2.2 | 9.8 | 6.0' | 267 | 1.5 | 1.4 | 3.3 |
| NARROW FLOOD | 5.0' | 243 | 1.5 | 1.5 | 5.0' | 148 | 2.2 | 1.8 | 3.0 | 3.0' | 97 | 3.2 | 1.8 | 4.2 | 3.0' | 431 | 1.2 | 1.1 | 1.7 |
| | 7.5' | 108 | 2.3 | 2.3 | 7.5' | 70 | 3.1 | 2.7 | 4.0 | 4.0' | 55 | 4.3 | 2.3 | 5.7 | 4.0' | 247 | 1.6 | 1.5 | 2.2 |
| | 10.0' | 61 | 3.1 | 3.1 | 10.0' | 38 | 4.3 | 3.6 | 5.0 | 5.0' | 35 | 5.3 | 2.8 | 7.2 | 5.0' | 158 | 2.0 | 1.8 | 2.7 |
| | 12.5' | 39 | 3.8 | 3.8 | 12.5' | 25 | 5.1 | 4.4 | 7.0 | 6.0' | 25 | 6.4 | 3.5 | 8.7 | 6.0' | 110 | 2.4 | 2.1 | 3.2 |
| FLOOD | 5.0' | 148 | 2.6 | 2.6 | 5.0' | 98 | 3.1 | 2.8 | 2.0 | 3.0' | 80 | 3.4 | 2.4 | 3.7 | 3.0' | 277 | 1.9 | 1.7 | 1.3 |
| | 7.5' | 66 | 3.7 | 3.7 | 7.5' | 45 | 4.7 | 4.3 | 4.0 | 4.0' | 46 | 4.4 | 3.1 | 4.8 | 4.0' | 159 | 2.4 | 2.2 | 1.8 |
| | 10.0' | 37 | 5.0 | 5.0 | 10.0' | 26 | 6.0 | 5.5 | 5.0 | 5.0' | 29 | 5.6 | 4.0 | 5.6 | 5.0' | 102 | 3.0 | 2.8 | 2.3 |
| | 12.5' | 24 | 6.2 | 6.2 | 12.5' | 17 | 7.6 | 6.7 | 6.0 | 6.0' | 20 | 6.7 | 4.7 | 7.2 | 6.0' | 71 | 3.6 | 3.3 | 2.7 |
| FLOOD UBP | 5.0' | 191 | 2.2 | 2.2 | 5.0' | 119 | 2.9 | 2.6 | 3.0 | 3.0' | 93 | 3.4 | 2.2 | 3.7 | 3.0' | 340 | 1.7 | 1.5 | 1.8 |
| | 7.5' | 85 | 3.3 | 3.3 | 7.5' | 57 | 4.1 | 3.7 | 4.0 | 4.0' | 52 | 4.5 | 2.9 | 5.3 | 4.0' | 196 | 2.2 | 2.0 | 2.2 |
| | 10.0' | 48 | 4.3 | 4.3 | 10.0' | 32 | 5.4 | 4.9 | 5.0 | 5.0' | 33 | 5.6 | 3.6 | 6.2 | 5.0' | 127 | 2.8 | 2.5 | 2.8 |
| | 12.5' | 31 | 5.4 | 5.4 | 12.5' | 20 | 6.8 | 6.1 | 6.0 | 6.0' | 23 | 6.7 | 4.4 | 7.8 | 6.0' | 88 | 3.3 | 3.0 | 3.3 |