

CYLINDRIX SURFACE CANOPY WALL WASH

CYLSC-WW
T4GU6.5

APPLICATION

Retail and commercial wall wash applications

CONSTRUCTION:

Die-cast lens holder and lamp housing
Formed aluminum ballast housing and yoke
GU6.5 TAL pulse rated socket
Integral single pole on/off switch
Powder coat paint

OPTICS:

0-90° tilt, 360° rotation
Amerlux optics specifically designed for the
CMH T4GU6.5 lamp
Textured specular kick reflector
Etched linear spread lens
Available in custom tints to tune beam to
provide incandescent-like hue

MOUNTING:

Canopy attaches to 4" octagonal junction
box

LABELING:

cUL listed

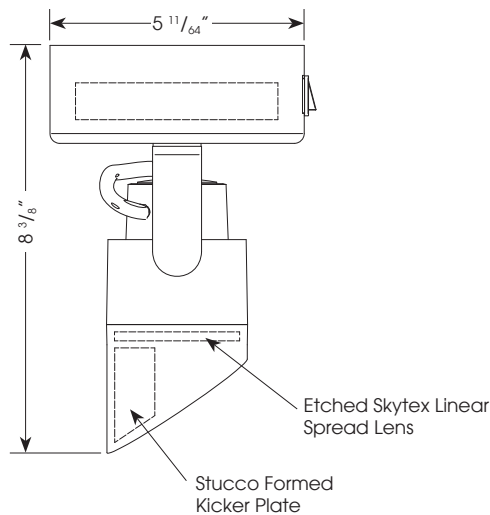
LAMPING:

CMH T4GU6.5 base, 15w (SYLVANIA
METALARC® POWERBALL®), 20w and 39w



PROJECT:

TYPE:



ELECTRICAL

Ballast	Input Voltage	Lamping					
		15w		20w		39w	
		Watts	Amps*	Watts	Amps*	Watts	Amps*
Electronic	120v	18	.15	24	.20	45	.40
	277v	18	.07	24	.10	45	.20

*data is for open circuit current
CMH T4GU6.5 base metal halide, 15w, 20w and 39

ORDERING INFORMATION:

Amerlux reserves the right to change details that
do not affect overall function and performance.

Model	Wattage	Lamp Type	Ballast	Finish	Voltage	Beam Spread	Options/Accessories
CYLSC-WW	15 20 39	T4GU6.5	E - electronic	WT - white texture BT - black texture ST - silver texture — (other RAL)	120 277	WW - wall wash	GOLD - ferric gold optic reflector DB2690 - DB2690 optic reflector

Example: CYLSC-WW-20-T4GU6.5-E-WT-120-WW

Cat #:

CYLINDRIX SURFACE CANOPY WALL WASH

CYLSC-WW
T4GU6.5

amerlux
GLOBAL LIGHTING SOLUTIONS

TYPE:



FIXTURE DATA: Test run with standard clear reflector. For gold multiply by 0.9
For 15w data multiply by .75; For 39w data multiply by 2.1

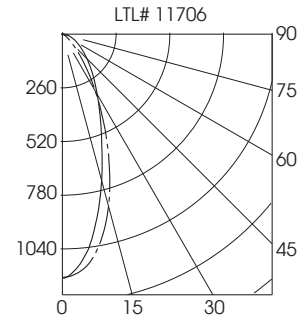
Complete photometric data (ies format) available upon request.

CYLINDRIX T4GU6.5 SURFACE CANOPY WALL WASH 20W
Lamp: GE CMH20T/U830GU6.5 Lamp Lumens: 1615
Canopy Mounting

ZONAL LUMEN SUMMARY

Zone	Lumens	%Lamp	%Fixt
0-30	483	29.9	66.3
0-40	592	36.7	81.2
0-60	690	42.7	94.6
0-90	727	45.0	99.7
90-180	2	0.1	0.3
0-180	729	45.1	100.0

Total Luminaire Efficiency = 45.1%



APPLICATION DATA:

Footcandles are average and rounded off.
Data for multiple units are based on a minimum of five units.

Footcandles on Wall

2' →

0° tilt

Distance from ceiling	2' →		
	1'	17.0	16.8
1'	16.8	17.0	16.8
2'	22.7	23.0	22.7
3'	21.3	21.9	21.4
4'	18.3	18.9	18.3
5'	15.2	15.9	15.2
6'	12.4	13.2	13.0
7'	10.2	10.9	10.2
8'	8.3	8.9	8.3
9'	6.8	9.8	9.3

2' →

10° tilt

Distance from ceiling	2' →		
	1'	27.2	26.9
1'	26.9	27.2	26.9
2'	34.2	34.6	34.2
3'	33.0	33.6	33.0
4'	29.1	29.9	29.1
5'	23.9	24.8	23.9
6'	18.9	19.8	18.9
7'	14.7	15.6	14.7
8'	11.4	12.2	11.4
9'	8.9	9.6	8.9

2' →

15° tilt

Distance from ceiling	2' →		
	1'	33.8	33.6
1'	33.6	33.8	33.6
2'	42.0	42.5	42.0
3'	41.6	42.2	41.6
4'	36.0	36.8	36.0
5'	27.9	28.9	27.9
6'	20.8	21.8	20.8
7'	15.5	16.4	15.5
8'	11.5	12.3	11.5
9'	8.7	9.4	8.7

3' →

15° tilt

Distance from ceiling	3' →		
	1'	12.0	11.9
1'	12.0	12.0	11.9
2'	17.2	17.2	17.0
3'	18.9	18.9	18.7
4'	19.1	19.1	18.8
5'	18.3	18.3	17.9
6'	16.4	16.4	16.0
7'	14.1	14.1	13.7
8'	11.8	11.8	11.3
9'	9.8	9.8	9.3

3' →

30° tilt

Distance from ceiling	3' →		
	1'	23.2	23.1
1'	23.2	23.2	23.1
2'	32.1	32.1	31.9
3'	37.4	37.4	37.1
4'	34.7	34.7	34.4
5'	27.0	27.0	26.7
6'	19.2	19.2	18.8
7'	13.2	13.2	12.8
8'	9.1	9.1	8.7
9'	6.3	6.3	6.0