

CYLINDRIX VERTICAL

TRACK MINI WASH

CYLTV-MW
T4GU6.5

APPLICATION

Accent and display lighting for Retail,
Commercial and Hospitality environments

CONSTRUCTION:

Die-cast lens holder, lamp and ballast housing
GU6.5 TAL pulse rated socket
Integral single pole on/off switch
No exposed wiring
Powder coat paint

MOUNTING:

Track, canopy and busway

LABELING:

cUL listed

LAMPING:

CMH T4GU6.5 base, 15w (SYLVANIA
METALARC® POWERBALL®), 20w and 39w

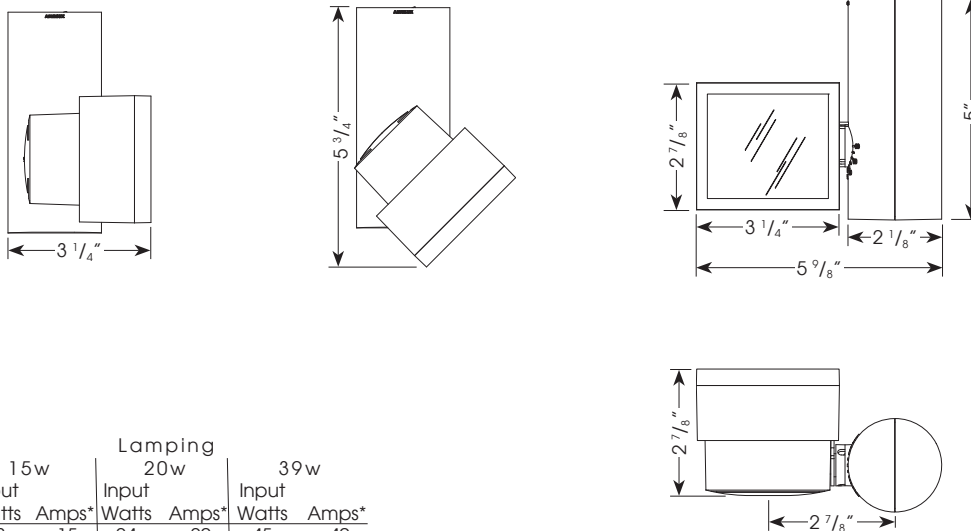


OPTICS:

0-90° lockable tilt, 360° rotation
Amerlux optics specifically designed for the
CMH T4GU6.5 lamp
Available in custom tints to tune beam to
provide incandescent-like hue

PROJECT:

TYPE:



ELECTRICAL

Ballast	Input Voltage	Lamping					
		15w		20w		39w	
		Watts	Amps*	Watts	Amps*	Watts	Amps*
Electronic	120v	18	.15	24	.20	45	.40
	277v	18	.07	24	.10	45	.20

*data is for open circuit current
CMH T4GU6.5 base metal halide, 15w, 20w and 39

ORDERING INFORMATION:

Amerlux reserves the right to change details that
do not affect overall function and performance.

Model	Wattage	Lamp Type	Ballast	Finish	Beam Spread	Voltage	Beam Spread	Options/Accessories
CYLTV-MW	15 20 39	T4GU6.5	E - electronic	WT - white texture BT - black texture ST - silver texture NA - natural aluminum (brushed, clear coat) - - (other RAL)	TN1 - Global 1cir, 120v TEK - Global 2cir/2neut, 120v TN3 - Global 3cir, 120v TN2 - Global 2cir/2neut, 277v B - busway C - canopy - - (other)	120 277	WW - wall wash	GOLD - ferric gold optic reflector DB2690 - DB2690 optic reflector

Example: CYLTV-MW-20-T4GU6.5-E-WT-TS1-120-WW

Cat #: