

CYLINDRIX II VERTICAL

TRACK LED

APPLICATION:

Accent and display lighting for retail, commercial and hospitality environments

CONSTRUCTION:

Die-cast lens holder, lamp and ballast housing
Die-cast aluminum heat sink, matte black finish for better thermal management
Powder coat paint

ELECTRICAL:

Electronic constant current LED driver
120v or 277v input
Dimming down to less than 20%, available on 120v only with ELV dimming equipment, consult factory for approved device list

This product complies with IEEE C62.41 for surge endurance up to 2.5KV. Amerlux recommends using additional surge protection with this unit (supplied by others), surge damage is not covered by warranty.

MOUNTING:

Track, canopy and busway

OPTICS:

LED cluster

Color Temp: 2585k - 2875k warm white
CRI: 85
Life: 50,000 hrs
Lumen Maintenance: >70% of initial lumens @ 50,000 hrs
Lumen output:
Gross: 770
Net Spot: 587
Net Narrow Flood: 607
Net Flood: 588

0-90° tilt, 360° rotation

LABELING:



C2TV
LED

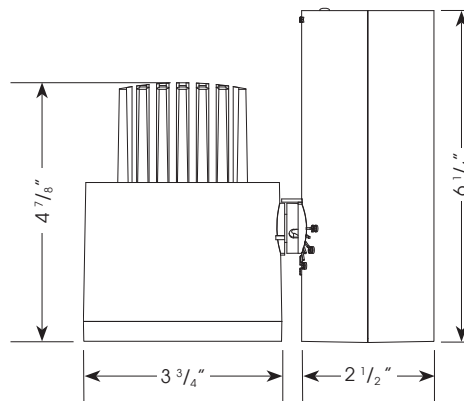


PROJECT:

TYPE:



Electrostatic sensitive device,
observe precautions for
handling



ELECTRICAL

Driver	20w	
	Operating Watts*	Amps*
Electronic 120v	19.6	.17
277v	20	.09

Class 2 constant current driver, 700 mA

ORDERING INFORMATION:

Model	Wattage	Lamp Type	Driver	Finish	Mounting	Voltage	Beam Spread	Color Temp	Options
C2TV	20	LED	E - electronic	WT - white texture BT - black texture ST - silver texture — (other RAL)	TN1 - Global 1cir, 120v TEK - Global 2cir/2neut, 120v TN3 - Global 3cir, 120v TN2 - Global 2cir/2neut, 277v B - busway C - canopy CCL - C-clamp — (other)	120 277	CL - spot, 8° NF - narrow flood, 16° FL - flood, 26° WF - wide flood, 45°	2700	DIM - dimming (120v only)

Note: heat sink is always black

Example: C2TV-20-LED-E-WT-TN1-120-NF-2700

Cat #:

Amerlux reserves the right to change details that do not affect overall function and performance.

10 year warranty
AMERLUX LED

(see website for details)

CYLINDRIX II VERTICAL

TRACK LED

C2TV
LED

amerlux
GLOBAL LIGHTING SOLUTIONS

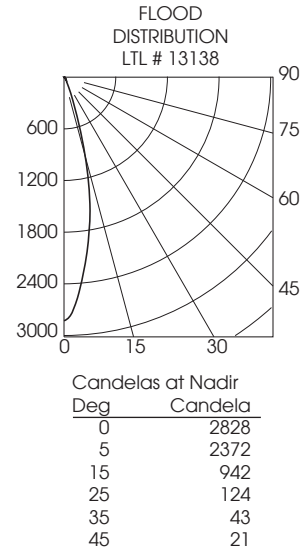
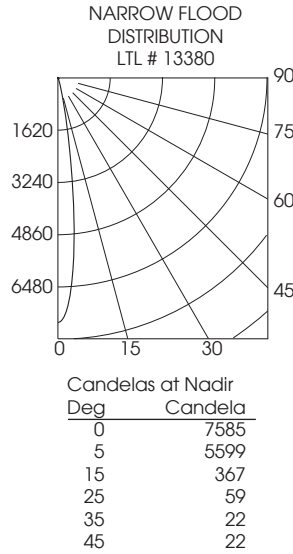
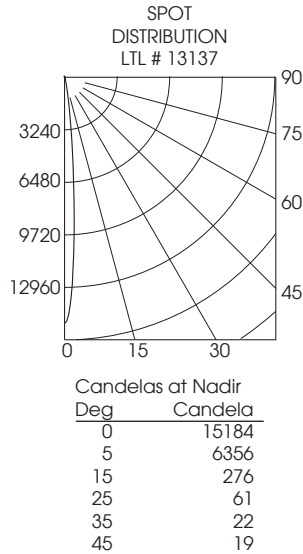
TYPE:



FIXTURE DATA:

Complete photometric data (ies format) available upon request.

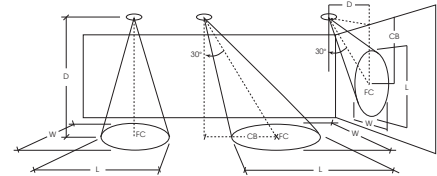
20W LED CLUSTER



APPLICATION DATA:

Notes and Definitions:

Beam spread is to 50% center beam candlepower (CBCP).
 D=Distance to floor or wall.
 FC=Footcandles on floor or wall at center beam aiming location.
 L=Effective Visual Beam length in feet (50% of maximum footcandle level).
 W=Effective Visual Beam width in feet (50% of maximum footcandle level).
 CB=Distance across or down to center beam location.



	0° Aiming Angle Horizontal Footcandles				30° Aiming Angle Horizontal Footcandles					30° Aiming Angle Vertical Footcandles					60° Aiming Angle Vertical Footcandles				
	D	FC	L	W	D	FC	L	W	CB	D	FC	L	W	CB	D	FC	L	W	CB
SPOT	5.0'	607	1.1	1.1	5.0'	368	1.2	1.1	3.0	5.0'	210	1.6	0.9	4.7	5.0'	1077	0.6	0.6	1.7
	7.5'	270	1.2	1.2	7.5'	161	1.8	1.3	4.0	7.5'	123	2.4	1.3	6.7	7.5'	613	0.8	0.7	2.3
	10.0'	152	1.5	1.5	10.0'	92	2.3	1.7	6.0	10.0'	80	2.9	1.6	8.3	10.0'	385	1.1	0.9	2.8
	12.5'	97	1.9	1.9	12.5'	63	2.6	2.3	7.0	12.5'	55	3.5	1.8	9.8	12.5'	259	1.3	1.1	3.3
NARROW FLOOD	D	FC	L	W	D	FC	L	W	CB	D	FC	L	W	CB	D	FC	L	W	CB
	5.0'	303	1.2	1.2	5.0'	189	1.7	1.3	3.0	5.0'	121	2.5	1.4	4.8	5.0'	542	1.0	0.8	1.7
	7.5'	135	1.8	1.8	7.5'	89	2.5	2.2	4.0	7.5'	69	3.3	1.8	6.2	7.5'	312	1.3	1.2	2.2
	10.0'	76	2.6	2.6	10.0'	47	3.4	3.0	5.0	10.0'	44	4.1	2.3	7.7	10.0'	201	1.6	1.5	2.7
12.5'	49	3.2	3.2	12.5'	32	4.0	3.5	7.0	12.5'	31	4.9	2.8	9.3	12.5'	139	2.0	1.7	3.2	
FLOOD	D	FC	L	W	D	FC	L	W	CB	D	FC	L	W	CB	D	FC	L	W	CB
	5.0'	113	2.0	2.0	5.0'	71	2.6	2.4	3.0	5.0'	51	3.3	2.2	3.7	5.0'	202	1.6	1.4	1.7
	7.5'	50	3.0	3.0	7.5'	33	3.8	3.5	4.0	7.5'	29	4.4	2.9	5.3	7.5'	116	2.1	1.9	2.3
	10.0'	28	4.1	4.1	10.0'	18	5.2	4.7	5.0	10.0'	19	5.5	3.6	6.2	10.0'	75	2.5	2.3	2.8
12.5'	18	5.0	5.0	12.5'	12	6.4	5.9	7.0	12.5'	13	6.5	4.4	7.8	12.5'	52	3.0	2.8	3.3	