

CYLINDRIX VERTICAL TRACK

CYLTV
T4GU6.5

APPLICATION

Accent and display lighting for Retail, Commercial and Hospitality environments

CONSTRUCTION:

Die-cast lens holder, lamp and ballast housing
GU6.5 TAL pulse rated socket
Integral single pole on/off switch for single circuit and busway adapters (no switch available on canopy mount)
No exposed wiring
Powder coat paint

OPTICS:

0-90° lockable tilt, 360° rotation
Amerlux optics specifically designed for the CMH T4GU6.5 lamp
Available in custom tints to tune beam to provide incandescent-like hue

MOUNTING:

Track, canopy and busway

LABELING:

cUL listed

ACCESSORIES:

Snoot: Spun aluminum 1/2" length standard
Painted finish
Cross Blade: Stamped steel painted black
Cross blade sits in snoot which must be ordered when using cross blade

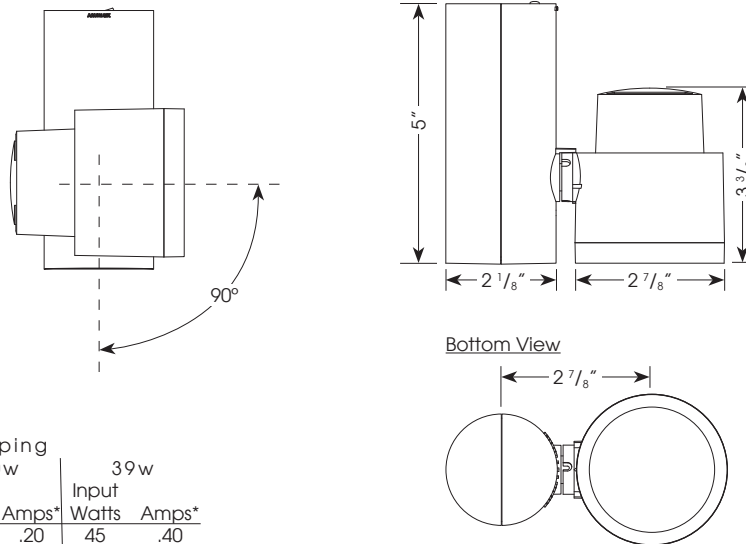
LAMPING:

CMH T4GU6.5 base, 15w (SYLVANIA METALARC® POWERBALL®), 20w and 39w



PROJECT:

TYPE:



ELECTRICAL

Ballast	Input Voltage	15w		20w		39w	
		Watts	Amps*	Watts	Amps*	Watts	Amps*
Electronic	120v	18	.15	24	.20	45	.40
	277v	18	.07	24	.10	45	.20

*data is for open circuit current
CMH T4GU6.5 base metal halide, 15w, 20w and 39

ORDERING INFORMATION:

Amerlux reserves the right to change details that do not affect overall function and performance.

Model	Wattage	Lamp Type	Ballast	Finish	Beam Spread	Voltage	Beam Spread	Options/Accessories
CYLTV	15 20 39	T4GU6.5	E - electronic	WT - white texture BT - black texture ST - silver texture NA - natural aluminum (brushed, clear coat) — (other RAL)	TN1 - Global 1cir, 120v TEK - Global 2cir/2neut, 120v TN3 - Global 3cir, 120v TN2 - Global 2cir/2neut, 277v B - busway C - canopy — (other)	120 277	CL - spot, 12° NF - narrow flood, 18° FL - flood, 25° FL-UBP - flood ultra brite polish, 25° WF - wide flood, 40° SL - linear spread lens, 5° x 55°	GOLD - ferric gold optic reflector DB2690 - DB2690 optic reflector HEX - hexcell louver, SN - snoot (1/2" length standard), specify color (WT, BT, ST) CB - cross blade, specify color (BT), black standard

Example: CYLTV-20-T4GU6.5-E-WT-TS1-120-FL

Cat #:

CYLINDRIX VERTICAL TRACK

CYLTV
T4GU6.5



TYPE:

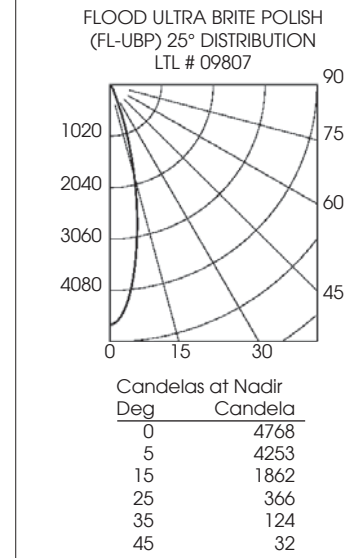
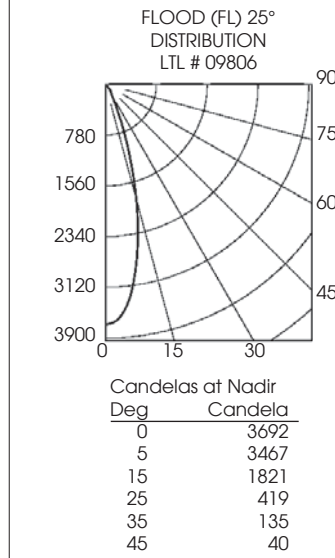
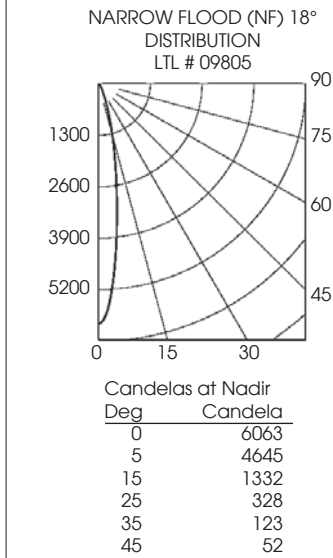
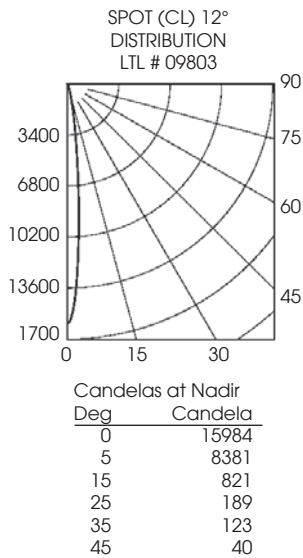


FIXTURE DATA: Test run with standard clear reflector. For gold multiply by 0.9
For 15w data multiply by .75; For 39w data multiply by 2.1

Complete photometric data (ies format) available upon request.

Note: Data is for 1 lamp

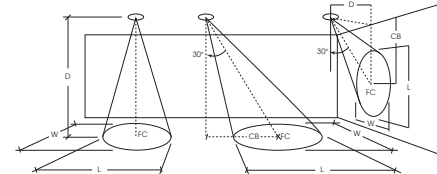
20W T4GU6.5 MH



APPLICATION DATA:

Notes and Definitions:

Beam spread is to 50% center beam candlepower (CBCP).
 D=Distance to floor or wall.
 FC=Footcandles on floor or wall at center beam aiming location.
 L=Effective Visual Beam length in feet (50% of maximum footcandle level).
 W=Effective Visual Beam width in feet (50% of maximum footcandle level).
 CB=Distance across or down to center beam location.



	0° Aiming Angle Horizontal Footcandles				30° Aiming Angle Horizontal Footcandles					30° Aiming Angle Vertical Footcandles					60° Aiming Angle Vertical Footcandles				
	D	FC	L	W	D	FC	L	W	CB	D	FC	L	W	CB	D	FC	L	W	CB
SPOT	5.0'	609	1.1	1.1	5.0'	373	1.2	1.1	3.0	3.0'	223	2.1	1.1	4.8	3.0'	1082	0.7	0.6	1.8
	7.5'	271	1.4	1.4	7.5'	168	2.0	1.6	4.0	4.0'	124	2.8	1.5	6.7	4.0'	619	0.9	0.8	2.2
	10.0'	152	1.8	1.8	10.0'	93	2.6	2.3	6.0	5.0'	81	3.5	1.8	8.2	5.0'	392	1.3	1.1	2.7
	12.5'	97	2.4	2.4	12.5'	63	3.2	2.8	7.0	6.0'	56	4.2	2.2	9.8	6.0'	267	1.5	1.4	3.3
NARROW FLOOD	5.0'	243	1.5	1.5	5.0'	148	2.2	1.8	3.0	3.0'	97	3.2	1.8	4.2	3.0'	431	1.2	1.1	1.7
	7.5'	108	2.3	2.3	7.5'	70	3.1	2.7	4.0	4.0'	55	4.3	2.3	5.7	4.0'	247	1.6	1.5	2.2
	10.0'	61	3.1	3.1	10.0'	38	4.3	3.6	5.0	5.0'	35	5.3	2.8	7.2	5.0'	158	2.0	1.8	2.7
	12.5'	39	3.8	3.8	12.5'	25	5.1	4.4	7.0	6.0'	25	6.4	3.5	8.7	6.0'	110	2.4	2.1	3.2
FLOOD	5.0'	148	2.6	2.6	5.0'	98	3.1	2.8	2.0	3.0'	80	3.4	2.4	3.7	3.0'	277	1.9	1.7	1.3
	7.5'	66	3.7	3.7	7.5'	45	4.7	4.3	4.0	4.0'	46	4.4	3.1	4.8	4.0'	159	2.4	2.2	1.8
	10.0'	37	5.0	5.0	10.0'	26	6.0	5.5	5.0	5.0'	29	5.6	4.0	5.6	5.0'	102	3.0	2.8	2.3
	12.5'	24	6.2	6.2	12.5'	17	7.6	6.7	6.0	6.0'	20	6.7	4.7	7.2	6.0'	71	3.6	3.3	2.7
FLOOD UBP	5.0'	191	2.2	2.2	5.0'	119	2.9	2.6	3.0	3.0'	93	3.4	2.2	3.7	3.0'	340	1.7	1.5	1.8
	7.5'	85	3.3	3.3	7.5'	57	4.1	3.7	4.0	4.0'	52	4.5	2.9	5.3	4.0'	196	2.2	2.0	2.2
	10.0'	48	4.3	4.3	10.0'	32	5.4	4.9	5.0	5.0'	33	5.6	3.6	6.2	5.0'	127	2.8	2.5	2.8
	12.5'	31	5.4	5.4	12.5'	20	6.8	6.1	6.0	6.0'	23	6.7	4.4	7.8	6.0'	88	3.3	3.0	3.3