

CYLINDRIX VERTICAL TRACK

CYLTV
CMHMR16

APPLICATION:

Accent and display lighting for Retail, Commercial and Hospitality environments

CONSTRUCTION:

Die-cast lamp and ballast housing
Electronic ballast
GX10 TAL pulse rated socket
Integral single pole on/off switch for single circuit and busway adapters (no switch available on canopy mount)
Powder coat paint

OPTICS:

0-90° tilt, 360° rotation
CMHMR16, GX10 base, 20w and 39w

MOUNTING:

Track, canopy and busway

LABELING:

cUL listed

ACCESSORIES:

Snoot: Spun aluminum 1/2" length standard
Painted finish

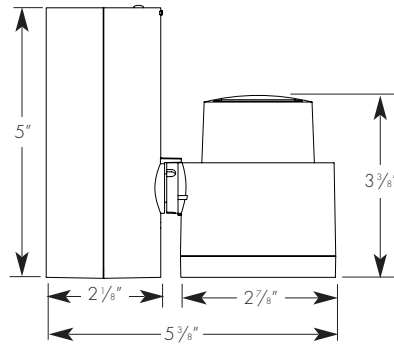
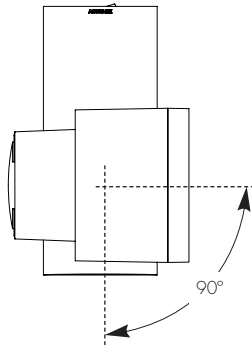
Cross Blade: Stamped steel painted black
Cross blade sits in snoot which must be ordered when using cross blade



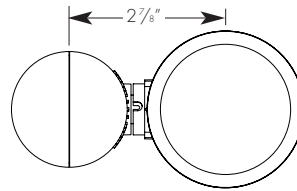
PROJECT :

TYPE :

ECOTECTURAL
Architectural lighting for sustainable design.



Bottom View



ELECTRICAL

Ballast	Input volts	Lamping 20w		39w	
		Input watts	Amps*	Input watts	Amps*
Electronic	120v	24	0.2	45	0.4
	277v	24	0.1	45	0.2

*Data is for open circuit current
CMHMR16, GX10 base, 20w and 39w

Amerlux reserves the right to change details that do not affect overall function and performance.



ORDERING INFORMATION:

Model	Wattage	Lamp Type	Ballast	Finish	Mounting	Voltage	Options/ Accessories
CYLTV	20 39	CMHMR16	E - electronic	WT - white texture BT - black texture ST - silver texture - - - (other RAL)	TN1 - Global 1cir 120v TEK - Global 2cir/2neut 120v TN3 - Global 3cir 120v TN2 - Global 2cir/2neut 277v* B - busway C - canopy - - - (other)	120 277*	HEX - hexcell louver SN - snoot (1/2" length standard), specify color (WT, BT, ST) CB - cross blade, specify color (BT), black standard

Example: CYLTV-20-CMHMR16-E-WT-TN1-120-SN(WT)-CB(WT)

*Consult factory

Cat #:

CYLINDRIX TRACK

CYLTV CMHMR16

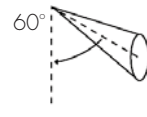
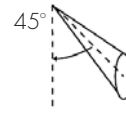
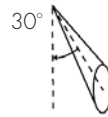


TYPE :

ecotECTURAL
Architectural lighting for sustainable design.



FIXTURE DATA:



GE CMH PRECISE MR16



CMH20MR16/830/SP 12°
12,000 Rated Life - 9,000 CBCP

D	FC	L	W	D	FC	L	W	D	FC	L	W	D	FC	L	W
4.0'	604	1.1	1.1	3.0'	144	2.3	1.3	3.0'	380	1.3	1.1	3.0'	688	0.8	0.7
8.0'	151	1.6	1.6	4.0'	80	3.1	1.6	4.0'	214	1.6	1.2	4.0'	394	1.1	0.9
12.0'	67	2.6	2.6	6.0'	36	4.6	2.4	6.0'	95	2.5	1.7	6.0'	171	1.7	1.5
16.0'	38	3.4	3.4	8.0'	20	6.0	3.3	8.0'	53	3.3	2.4	8.0'	84	2.6	2.0

CMH20MR16/830/FL 25°
12,000 Rated Life - 2,900 CBCP

D	FC	L	W	D	FC	L	W	D	FC	L	W	D	FC	L	W
4.0'	187	1.7	1.7	3.0'	61	3.4	2.3	3.0'	131	2.3	1.8	3.0'	214	1.7	1.6
8.0'	47	3.6	3.6	4.0'	34	4.5	3.0	4.0'	75	3.0	2.4	4.0'	124	2.3	2.1
12.0'	21	5.4	5.4	6.0'	15	6.7	4.5	6.0'	33	4.4	3.6	6.0'	56	3.4	3.0
16.0'	12	7.1	7.1	8.0'	9	9.0	5.9	8.0'	19	5.9	4.8	8.0'	32	4.5	4.0

CMH39MR16/930/SP 12°
10,000 Rated Life - 16,000 CBCP

D	FC	L	W	D	FC	L	W	D	FC	L	W	D	FC	L	W
4.0'	1000	1.1	1.1	3.0'	238	2.5	1.3	3.0'	611	1.4	0.9	3.0'	1138	0.9	0.8
8.0'	250	1.7	1.7	4.0'	133	3.4	1.8	4.0'	355	1.8	1.3	4.0'	652	1.2	1.0
12.0'	111	2.7	2.7	6.0'	60	5.1	2.6	6.0'	161	2.6	1.8	6.0'	283	1.8	1.6
16.0'	63	3.5	3.5	8.0'	33	6.9	3.6	8.0'	91	3.4	2.5	8.0'	156	2.4	2.1

CMH39MR16/930/FL 25°
10,000 Rated Life - 5,500 CBCP

D	FC	L	W	D	FC	L	W	D	FC	L	W	D	FC	L	W
4.0'	344	1.8	1.8	3.0'	122	3.3	2.3	3.0'	264	2.3	1.8	3.0'	422	1.8	1.6
8.0'	86	3.8	3.8	4.0'	69	4.3	3.0	4.0'	149	3.0	2.4	4.0'	242	2.4	2.1
12.0'	38	5.7	5.7	6.0'	31	6.5	4.4	6.0'	67	4.5	3.6	6.0'	108	3.5	3.2
16.0'	22	7.6	7.6	8.0'	17	8.7	6.0	8.0'	38	6.0	4.8	8.0'	61	4.7	4.2

FC - approximate footcandles at center.