

CYLINDRIX VERTICAL TRACK

CYLTV
MR16

APPLICATION:

Accent and display lighting for Retail, Commercial and Hospitality environments

CONSTRUCTION:

Die-cast lamp and ballast housing
Electronic transformer
GU5.3 bi-pin socket
Integral single pole on/off switch for single circuit and busway adapters (no switch available on canopy mount)
Powder coat paint

OPTICS:

0-90° tilt, 360° rotation
MR16 bi-pin GU5.3, 50w max
Solite Beam Softening Lens

MOUNTING:

Track, canopy and busway

LABELING:

cUL listed

ACCESSORIES:

Snoot: Spun aluminum 1/2" length standard
Painted finish

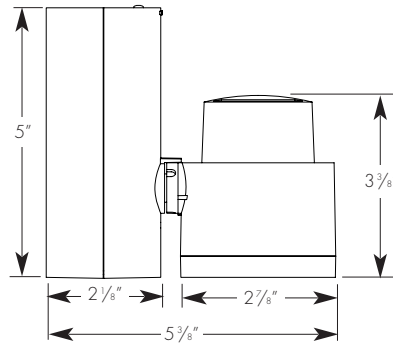
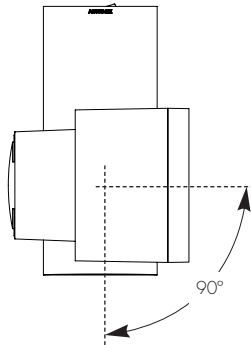
Cross Blade: Stamped steel painted black
Cross blade sits in snoot which must be ordered when using cross blade



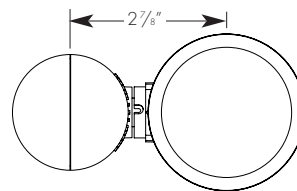
PROJECT:

TYPE:

ECOTECHURAL
Architectural lighting for sustainable design.



Bottom View



ELECTRICAL

Ballast		Lamping 50w	
		Input volts	Amps
Electronic	120v	50	.42
	277v	50	.18

MR16 Bi-Pin base, 50w max.

Electronic ballast

Amerlux reserves the right to change details that do not affect overall function and performance.



ORDERING INFORMATION:

Model	Lamp Type	Ballast	Finish	Mounting	Voltage	Options/ Accessories
CYLTV	MR16 (50w max)	E - electronic	WT - white texture BT - black texture ST - silver texture - _____ (other RAL)	TN1 - Global 1cir 120v TEK - Global 2cir/2neut 120v TN3 - Global 3cir 120v TN2 - Global 2cir/2neut 277v C - canopy B - busway - _____ (other)	120 277	HEX - hexcell louver SN - snoot (1/2" length standard), specify color (WT, BT, ST) CB - cross blade, specify color (BT), black standard

Example: CYLTV-MR16-E-WT-TN1-120-SN(WT)-CB(WT)

Cat #: