

CYLINDRIX VERTICAL TRACK

CYLTV
PAR20 MH

APPLICATION:

Accent and display lighting for Retail, Commercial and Hospitality environments

CONSTRUCTION:

Die-cast lamp and ballast housings
Electronic ballast
Medium base pulse rated socket
Integral single pole on/off switch
Powder coat paint

OPTICS:

0-90° tilt, 360° rotation
PAR20 metal halide, 20w and 39w

MOUNTING:

Track, canopy and busway

LABELING:

cUL listed

ACCESSORIES:

Snoot: Spun aluminum 1/2" length standard
Painted finish

Cross Blade: Stamped steel painted black
Cross blade sits in snoot which must be ordered when using cross blade

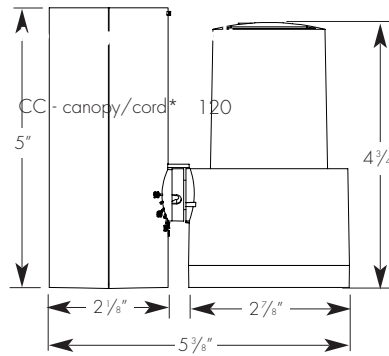
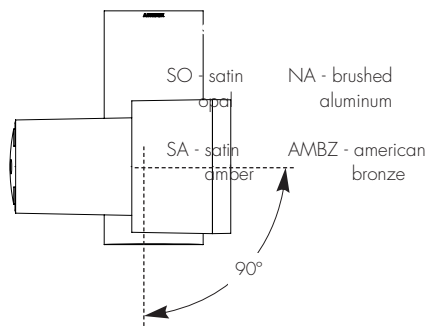


PROJECT :

TYPE :

ECOTECTURAL

Architectural lighting for sustainable design.



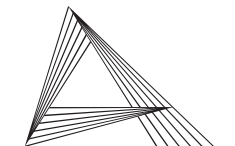
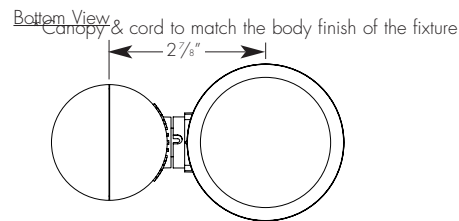
ELECTRICAL

Ballast	Voltage	Lamping			
		20w		39w	
		Input watts	Amps*	Input watts	Amps*
Electronic	120v	26	0.23	45	0.40
	277v	26	0.12	45	0.20

*Data is for open circuit current

CDM-Tm PGJ5 base metal halide, 20w and 39w

Amerlux reserves the right to change details that do not affect overall function and performance.



AMERLUX
LIGHTING SOLUTIONS

ADAPT. ABILITY.™

ORDERING INFORMATION:

Model	Wattage	Lamp Type	Ballast	Finish	Mounting	Voltage	Options/Accessories
CYLTV	20 39	PAR20MH	E - electronic	WT - white texture BT - black texture ST - silver texture NA - natural (brushed, clear coated) - - - (other RAL)	TN1 - Global 1cir 120v TEK - Global 2cir/2neut 120v TN3 - Global 3cir 120v TN2 - Global 2cir/2neut 277v* B - busway C - canopy - - - (other)	120 277*	HEX - hexcell louver SN - snoot (1/2" length standard), specify color (WT, BT, ST) CB - cross blade, specify color (BT), black standard

Example: CYLTV-39-PAR20MHE-BT-TN1-120-SNBT-CBBT

*Consult factory

Cat #:

CYLINDRIX VERTICAL TRACK

CYLTV
PAR20 MH



TYPE :

ECOTECTURAL
Architectural lighting for sustainable design.



FIXTURE DATA:



PAR20MH

CMH20/PAR20/M/SP 8°
7,500 hrs. Rated Life - 13,000 CBCP

D	FC	L	W	D	FC	L	W	D	FC	L	W	D	FC	L	W
4.0'	1195	1	1	3.0'	250	2	1	3.0'	565	1	1	3.0'	1321	1	1
8.0'	299	1	1	4.0'	144	2	1	4.0'	348	1	1	4.0'	722	1	1
12.0'	133	2	2	6.0'	65	3	2	6.0'	167	2	1	6.0'	285	1	1
16.0'	75	2	2	8.0'	37	4	2	8.0'	97	2	2	8.0'	172	2	1

CMH20/PAR20/M/FL 25°
7,500 hrs. Rated Life - 3,750 CBCP

D	FC	L	W	D	FC	L	W	D	FC	L	W	D	FC	L	W
4.0'	177	2	2	3.0'	57	4	3	3.0'	118	3	2	3.0'	196	2	2
8.0'	44	4	4	4.0'	34	5	3	4.0'	71	3	3	4.0'	109	3	3
12.0'	20	6	6	6.0'	16	7	5	6.0'	31	5	4	6.0'	49	4	4
16.0'	11	9	9	8.0'	9	9	7	8.0'	18	7	6	8.0'	28	5	5

Data shown: GE Lighting

FC - approximate footcandles at center.



PAR39MH

CDM35/PAR20/M/SP 10°
9000 hrs. Rated Life - 23,000 MBCP

D	FC	L	W	D	FC	L	W	D	FC	L	W	D	FC	L	W
4.0'	1750	1	1	3.0'	389	2	1	3.0'	1100	1	1	3.0'	2021	1	1
8.0'	438	1	1	4.0'	219	3	1	4.0'	619	1	1	4.0'	1137	1	1
12.0'	194	2	2	6.0'	97	4	2	6.0'	275	2	1	6.0'	505	1	1
16.0'	109	3	3	8.0'	55	6	3	8.0'	155	3	2	8.0'	284	2	2

CDM35/PAR20/M/FL 30°
9000 hrs. Rated Life - 5,000 MBCP

D	FC	L	W	D	FC	L	W	D	FC	L	W	D	FC	L	W
4.0'	375	2	2	3.0'	83	8	3	3.0'	236	3	2	3.0'	433	2	2
8.0'	94	4	4	4.0'	47	11	4	4.0'	133	5	3	4.0'	244	3	2
12.0'	42	6	6	6.0'	21	16	6	6.0'	59	7	5	6.0'	108	4	4
16.0'	23	9	9	8.0'	12	22	9	8.0'	33	9	6	8.0'	61	6	5

Data shown: Philips Lighting

FC - approximate footcandles at center.